

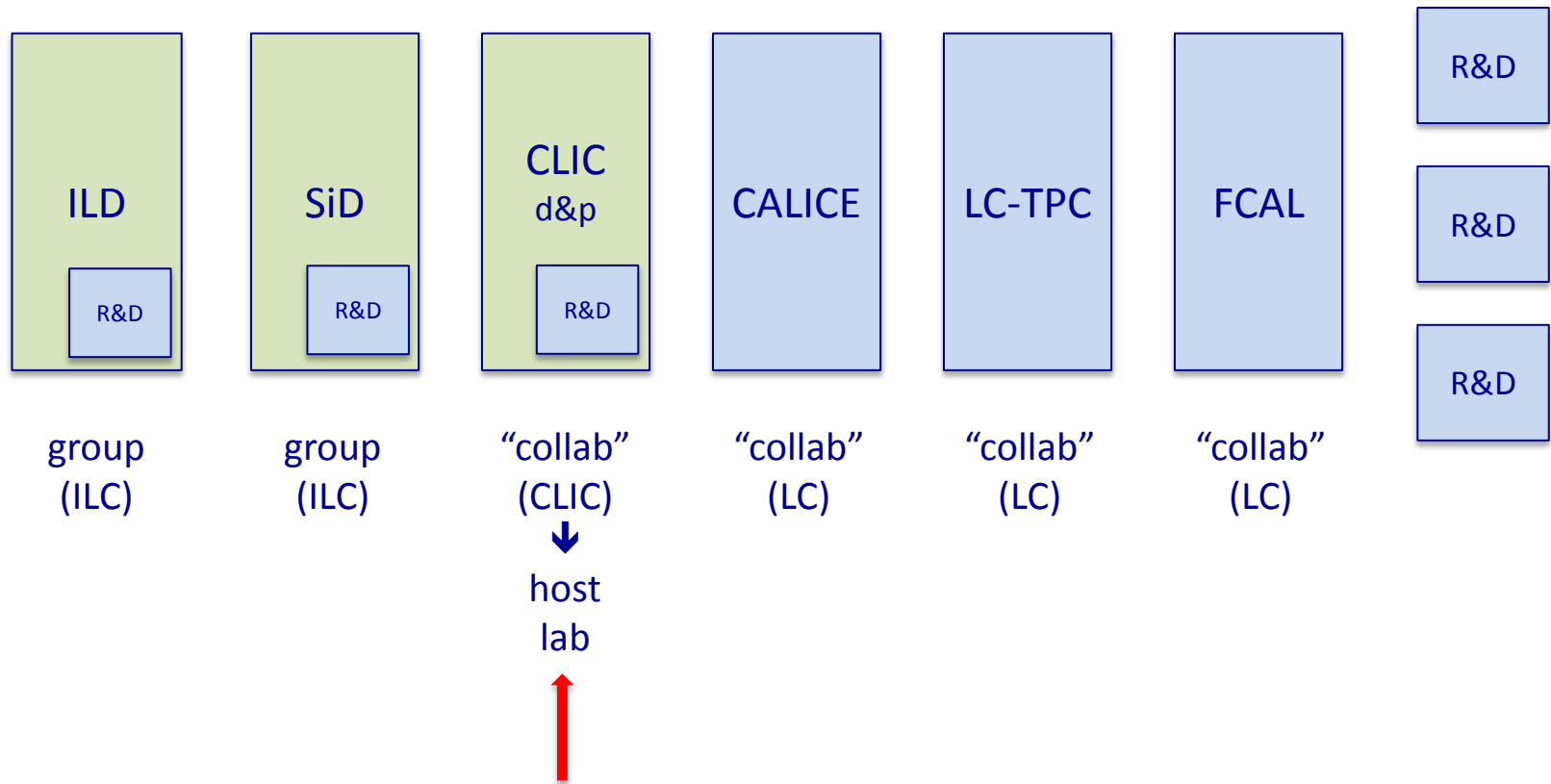


Memorandum on Cooperation for the CLIC detector and physics study

Lucie Linssen

CLIC project meeting 11/12/2012

groups involved in “world-wide LC detector work”



CLIC detector and physics study

CLIC detector and physics study Memorandum of Cooperation

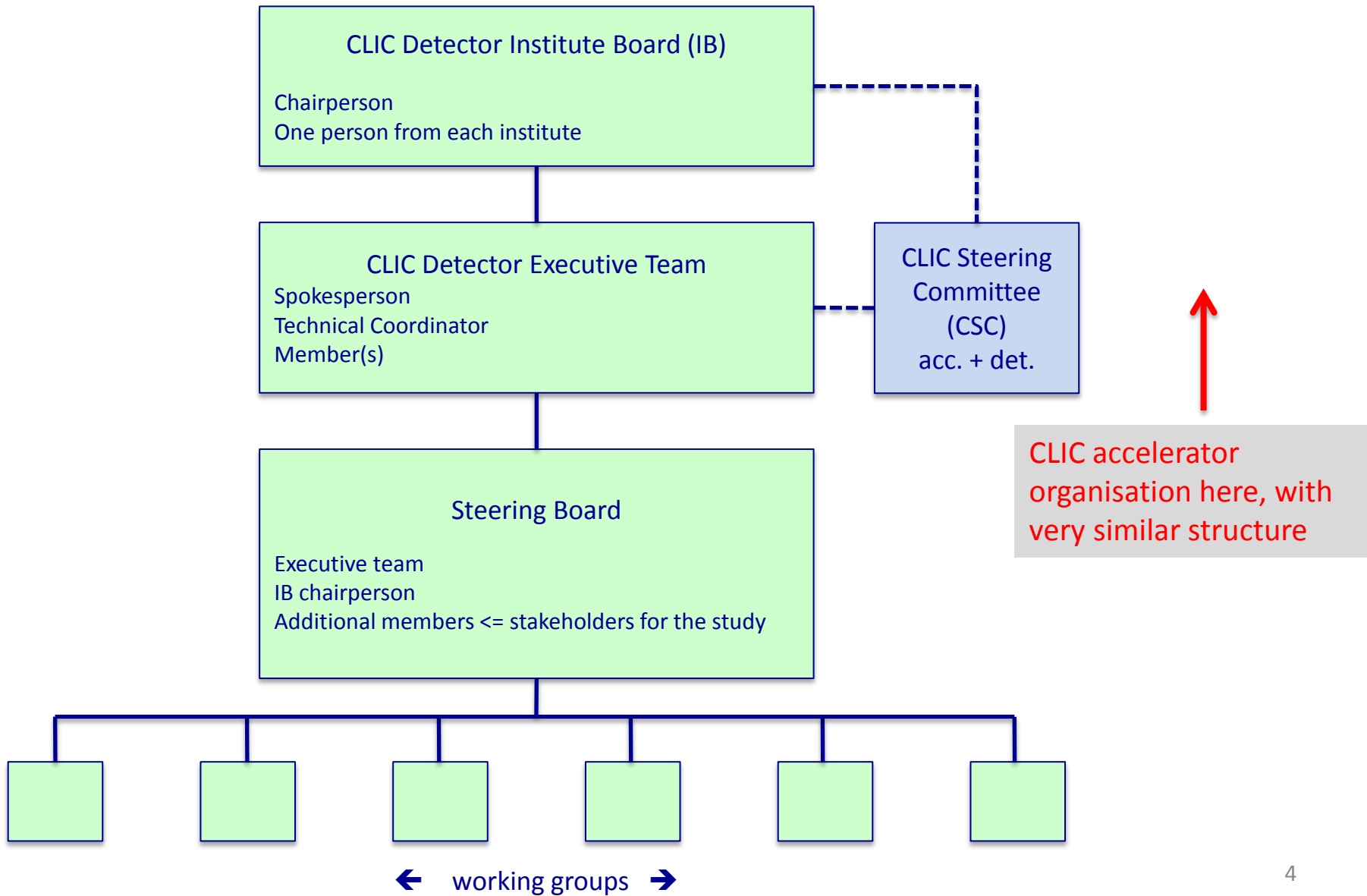
Basic notions of the organisation are described in the Memorandum of Cooperation

- Link with the LC organisation under ICFA
- Link and synergy with the LC concept groups and the LC detector R&D collaboration
- Institutes can join (semi)-formally
- Formation of an **Institute board (IB)** with representation from all institutes
- IB gives direction to the project
- IB appoints persons with roles of responsibility
- Rotation of roles of responsibility
- Small and enlarged executive bodies (ET and SB)
- Link to the CLIC accelerator project via the CLIC Steering Committee
- CERN as the host laboratory

“CLIC detector and physics study”



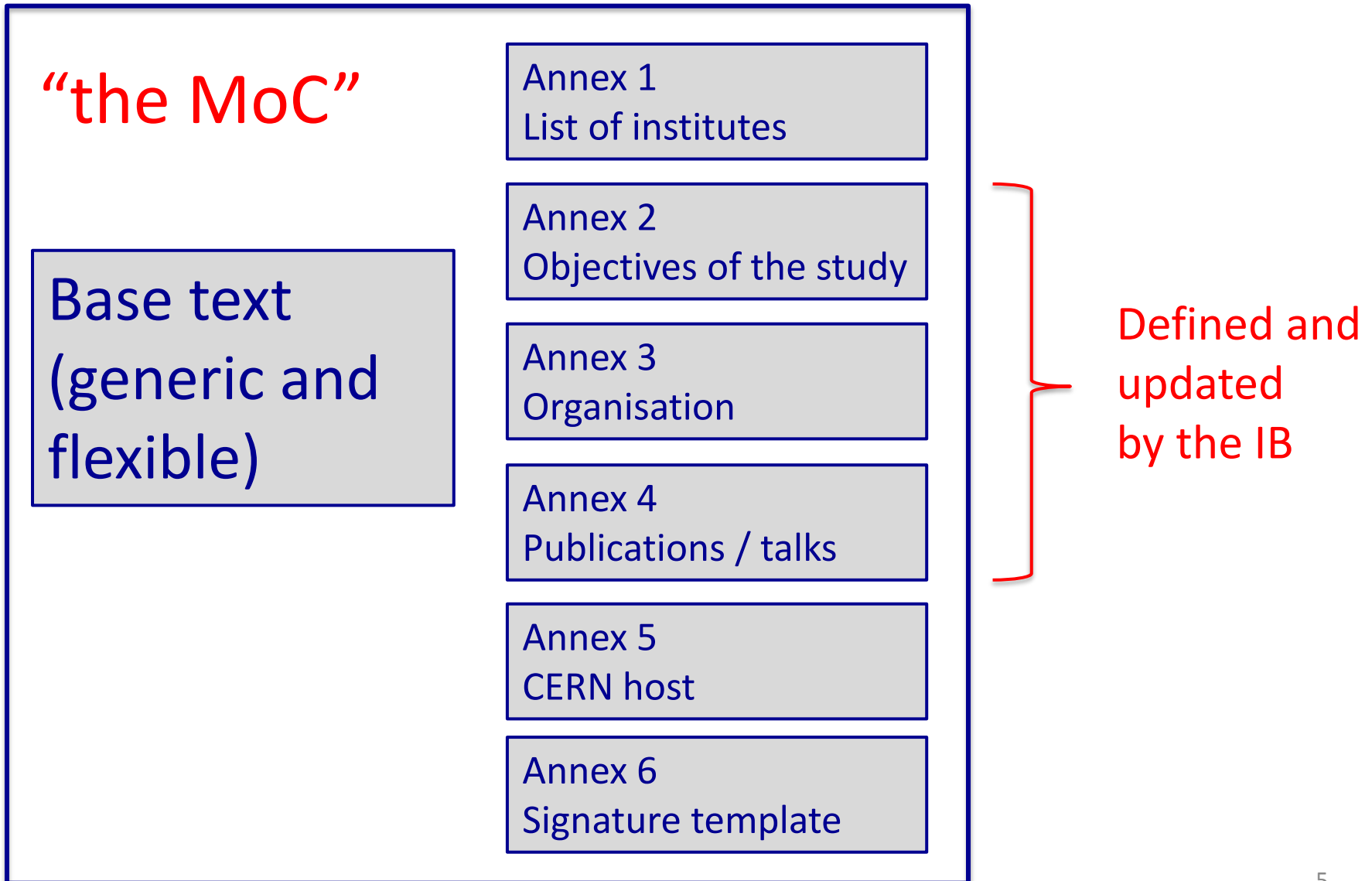
Implementation model based on typical HEP experiment model



The MoC document.....



The MoC is set up in a very flexible way, allowing for future adaptations



Objectives of the study



The Study

2.1 The Study, in coordination with the worldwide Linear Collider organisation under the *International Committee for Future Accelerators* ("ICFA"), aims at:

- Studies of the physics discovery potential and prospects for precision measurements at the CLIC e^+e^- collider, including aspects related to beam polarisation;
- Detector simulation and optimisation studies;
- Software development for event generation, detector simulation, event reconstruction and analysis;
- Hardware development for detector sub-systems and their readout electronics, in part carried out within the Linear Collider R&D collaborations;
- Engineering and integration studies for a future CLIC experiment, including supporting infrastructures and underground facilities related to it.

2.2 The detailed scientific and technical objectives of the Study shall be as described in Annex 2 to this MoC, that shall be updated on a regular basis, subject to the approval of the Institute Board (IB).

Responsibility of the partners

Article 5

Responsibilities of the Partners

5.1 The Partners shall, on a best effort basis, contribute to the Study.

5.2 Any specific agreement on a contribution to the Study by a Partner may be set out in an Annex to this MoC.

Admission of partners

All partners are welcome, initially, on a “best effort” basis.

The MoC “*enters into force*” once there are at least “8” Partners => the IB will start
Hope to have the first Institute Board meeting at the CLIC workshop in January 2013

From that moment onwards => the IB decides on the admission of new Partners

Publications and talks



Article 8

Publications

Publication rules and internal procedures for public presentations and publications require approval by the IB, and shall be set out in **Annex 4** to this MoC.

Signature form



The European Organization for Nuclear Research (CERN)

And

NAME OF THE PARTNER

Welcome to join !

Declare that they agree on the Memorandum on Cooperation for the CLIC Detector and Physics Study.

Done in Geneva

Done in PLACE

Date

Date

.....

.....

For CERN

For NAME OF THE PARTNER

.....

.....

NAME
FUNCTION

NAME
FUNCTION



MoC status and invitation to join

Status today => since November 12th, **4** institutes have joined:

- Vinca Institute Belgrade Serbia
- Bergen University, Bergen, Norway
- Tel Aviv University, Tel Aviv, Israel
- CERN

Expected to join within weeks: **4**

Discussions ongoing, expecting to join within 1-2 months: **4-7**

Invitation to all CLIC/CTF3 institutes with interest in the detector & physics studies:

Please contact lucie.linssen@cern.ch for discussion on a possible participation



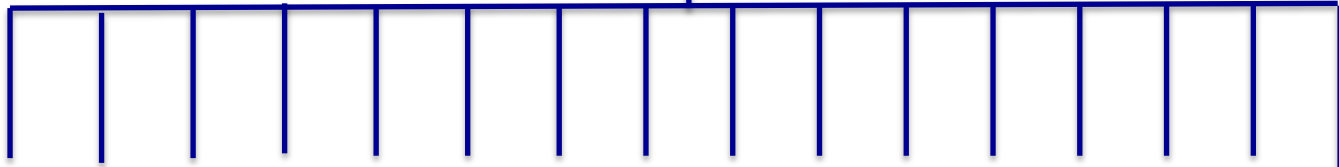
Spare slides

Recycled material,
presented in spring 2012

2 explanatory slides, serving just to give background info...



this project stands for:
“funding to work on LC
detectors: ILC/CLIC
concepts and R&D”



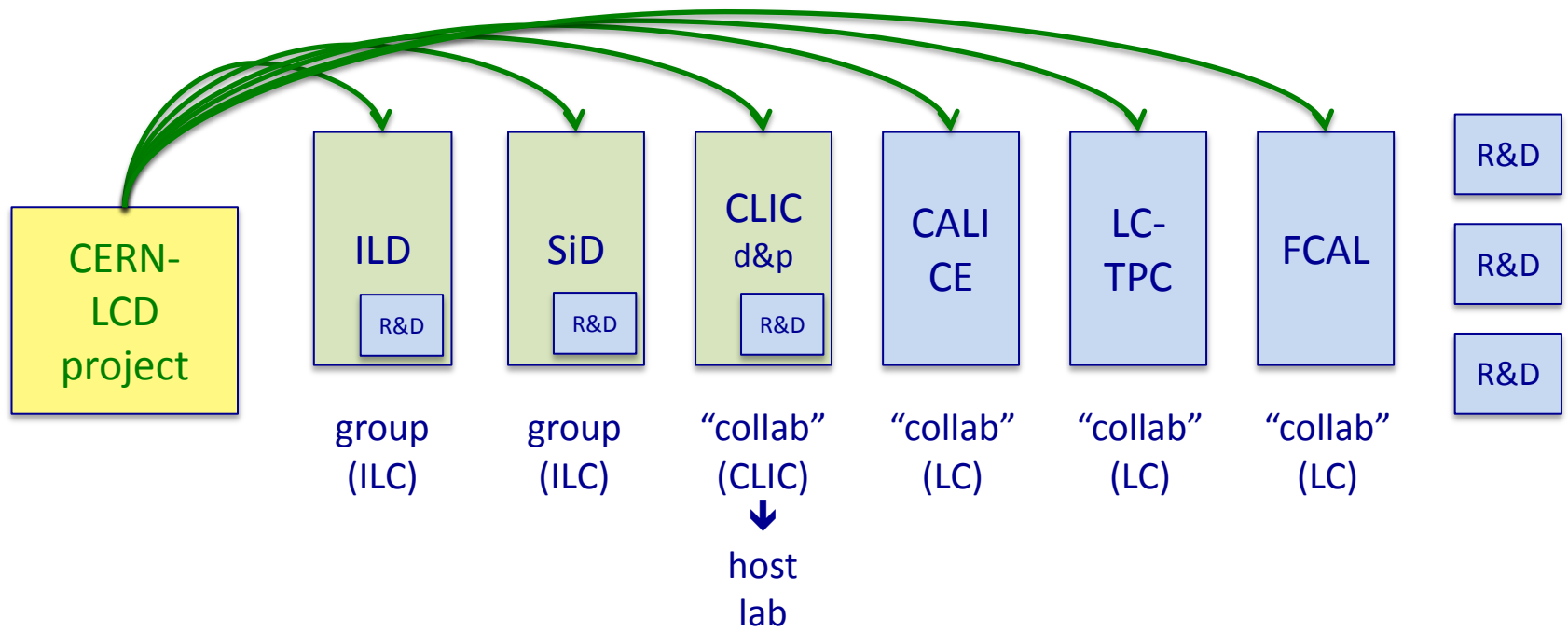
These are all CERN-funded projects ↑
(e.g. CERN contribution to LHC experiments,
accelerator operation, etc, etc)

CERN-
LCD
project

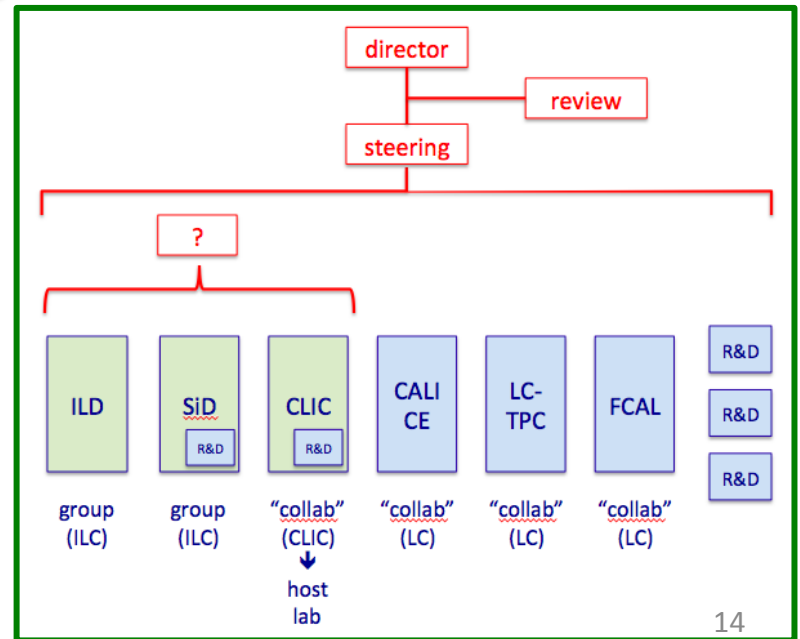
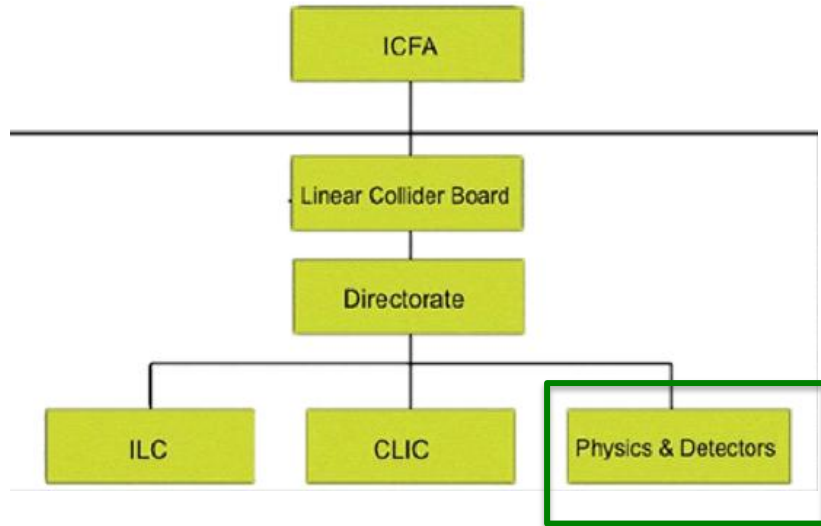


project leader is Lucie
(nominated by CERN DG)

CERN LCD project participation



Possible future LC organisation



Possible future LC organisation

