



Further information on P-GRADE

*Gergely Sipos
sipos@sztaki.hu*

*MTA SZTAKI
Hungarian Academy of Sciences*



portal.p-grade.hu



Complete P-GRADE development cycle

- Develop your jobs locally
- Compile your jobs on the grid with P-GRADE
 - Compiler portlet
- Compose workflows from your jobs and execute it
 - Workflow editor, workflow manager, Information system portlets
- Scale up the workflow to a parameter study
 - Input file generator
 - Output file collector
- Develop an application specific portlet:
 - To hide application logic from end users:
Separate grid experts from end users

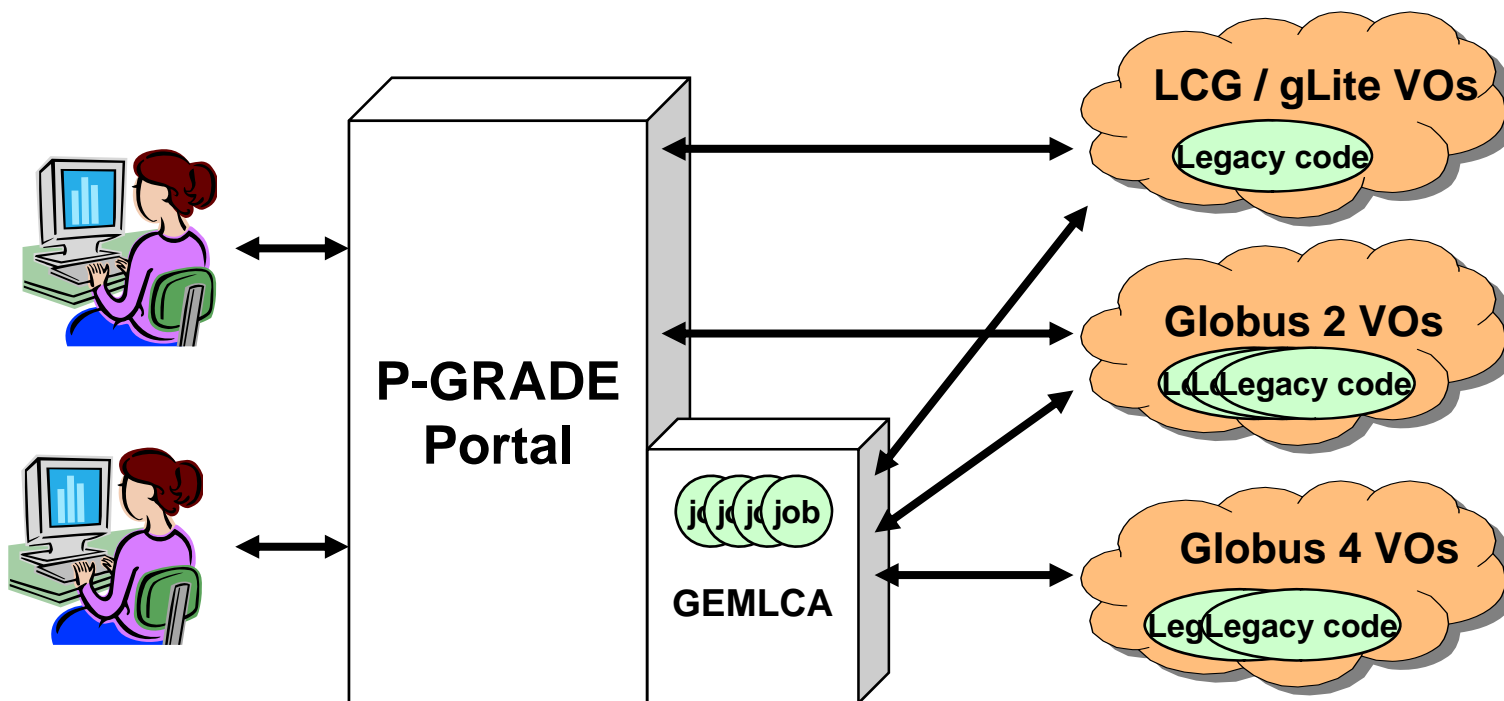


Customized P-GRADE Portals



GEMLCA P-GRADE Portal 2.4.1

- P-GRADE Portal extended with GEMLCA Grid service back-end
 - To share jobs and legacy codes as application components with others
 - A step towards collaborative e-Science
- Developed by the University of Westminster (London)
- Support for Globus 4 grids (besides GT2 and EGEE)
- Available on the UK NGS and OGF GIN grids
- <http://www.cpc.wmin.ac.uk/ngsportal/index.php>





The Rendering Portal

Contact: Mr. Tamas Kiss, kisst@wmin.ac.uk

RELEASE 2.5

Rendering

New rendering job | Manage rendering jobs | Help

Upload file from local pc [Browse...]
Create
Cancel

Name: knight
Type: Blender
Start frame: 1
End frame: 100
Step size: 1
Next

File Upload
Look in: EGEE 07 demo
~\$E07 UoW demos
Document Scrap 'http__mut_cpc_w...'
EGEE07 UoW demos
GEMLCA_EGEE2007Conf
knight.blend
knight-fast.blend
longer.blend
lostride.blend

Download rendered images

Submit workflow

Workflow Manager

Refresh

Workflow	Status	Size	Quota (100 Mb)	[Output]	[View]
Ball	finished	220 KB	0.22%	✓	Details
Knight	finished	1.17 MB	1.17%	✓	Details
Lostride	finished	11.175 MB	11.18%	✓	Details
Overall used quota:		12.561 MB	12.56%		



Application Specific Portals

Supplier chain portal (Under development)

Welcome Emmil

Emmil 3.0

Download finished Auction's results

Set up the most optimal supplier chain

Log in as buyer supplier, or logistic service provider. Create auctions or take your bids

Best buyer-seller-logistic service provider pairs discovered, result presented in an Excel file

ID	Auction Adviser	Date/Time	Remaining Time	Number of Bids	Set Sup
0	Buyer_01	Fri Sep 28 13:49:51 CEST 2007	0 weeks, 6 days, 5 hours, 58minutes, 12 seconds	1	

Available Auctions for 2D1

ID	Auction Adviser	Date/Time	Remaining Time

Closed

ID	Auction Adviser	Date/Time

Microsoft Excel -

Product #	Quantity	Unit Price	Value of order	Delivery Variable Cost	Price
0	25	140.65	3516.26	209.34	3725.59523
3	70	19.14	1339.54	586.15	1925.689562
5	50	18.65	932.28	418.68	1350.952805
7	5	939.68	4698.39	41.87	4740.255005
8	50	39.15	1957.69	418.68	2376.370132
1	31	32.49	1007.12	259.58	1266.702419
3	130	19.14	2487.65	1088.55	3576.20147
4	100	25.95	2594.84	837.35	3432.187057
Summ Quantity	461			Delivery Fix Cost per container	373.14
Container Number	5			Delivery Fix Cost	1865.70
				Price for Supplier 4	22767.09
				TOTAL PRICE	153088.56

Flow Editor - [EMMIL_30_P5] Mode - Edit

Generator GEN

LP_solve SEO

PriceEv... COLL

Parameter study optimization workflow is automatically generated and executed



Portal installations

- **P-GRADE Portal services:**
 - **SEE-GRID infrastructure**
 - **Central European VO of EGEE**
 - **GILDA: Training VO of EGEE**
 - **Many national Grids (UK National Grid Service, HunGrid, Turkish Grid, etc.)**
 - **US Open Science Grid, TeraGrid**
 - **Economy-Grid, Swiss BioGrid, Bio and Biomed EGEE VOs, BalticGrid**
 - **OGF Grid Interoperability Now (GIN) VO**

Portal services and account request:

<http://portal.p-grade.hu/index.php?m=3&s=0>





Installing P-GRADE Portal

- (If you are the administrator of a Grid/VO then) get the installation package from SourceForge
 - <http://sourceforge.net/projects/pgportal>
 - Server requirements
 - <http://portal.p-grade.hu/index.php?m=13&s=0>
 - Local user support must be provided by you
- If you are member of an EGEE / Globus VO that does not have P-GRADE Portal yet, then
 - **Ask SZTAKI to configure your VO in the Multi-grid P-GRADE Installation**
 - Ask the manager of your VO to install one



To configure your VO in Multi-grid P-GRADE Portal

Send the following information to P-GRADE Portal team:

- Technical
 - WMS URL
 - BDII URL
 - LFC host URL
 - Default SE of the VO
 - VOMS server URL, certificate subject
 - VOMS server certificate
 - Extra CA packages if VO members use other than www.gridpma.org certificates.
- Administrative
 - Homepage of VO/community
 - Use cases for P-GRADE
 - Number of users



Support services

<http://portal.p-grade.hu>

- Training:
 - Training events, trainer community:
email list: pgrade-training@lpds.sztaki.hu
 - Portal to access GILDA resources
 - Online tutorials
- User forum
- Installation and operational support team
- Application Development and Porting Support:
www.lpds.sztaki.hu/gasuc



How to organize a P-GRADE tutorial

Steplist for trainers

- **Book GILDA**
- **Accounts on multi-grid P-GRADE Portal installation are available for training**
- **Collect training materials**
 - What you saw today
 - From P-GRADE Portal webpage
 - Workflow repository – Java, MPI workflow examples
 - From 2 hours to 2 days
- **Contact Gergely Sipos (sipos@sztaki.hu)**
 - To register event on P-GRADE Portal webpage
 - To avoid collision with other P-GRADE event
- **Certificate management**
 - Participants can upload their pem files into Myproxy – give the files to them
 - You upload the files in advance – can save time for more interesting exercises
- **Join the P-GRADE trainer community**
 - Email list: pgrade-training@lpds.sztaki.hu