

Introduction to **DAQ WG** meeting #18

T. Chiarusi 31-10-2014



Indicative agenda

1. review of the various DAQ items
2. DOM integration and various test-sites support/products
3. dataformat
 - 3.1 on-line towards off-line
 - 3.2 logging DATA into the DB
4. Reply to PRR reviewers
5. a.o.b

HOT POINTS (personal view)

What has been done so far

development of the basic DAQ tools
since end of Summer release of the so called **Integration kit**

What was tested

WR- asym. network (various Test benches)

Hybrid network solution (Bologna)

DQ-DF-DW on optical stream with 1/2 DOM

Detector Manager (on 1-4 CLBs) + SRP

On-line Monitoring with Royweb

What is ready (at least as prototype) and is going to be tested soon

Data Base Interface

DQ-DF for Acoustic Streams

What is still missing (of the necessary elements)

Completing the implementation of FSM on DQ and TriDAS Manager

DQ-DF for Acoustic Streams

Important feedbacks from the test/integration sites

Needed **PLANS and Proposal** of tests to **know** what the DAQ WG still needs to develop

Reshuffle of commitments can obviously be possible!

Such plans should be addressed to the DAQ WG (and/or to me - **THANKS**).

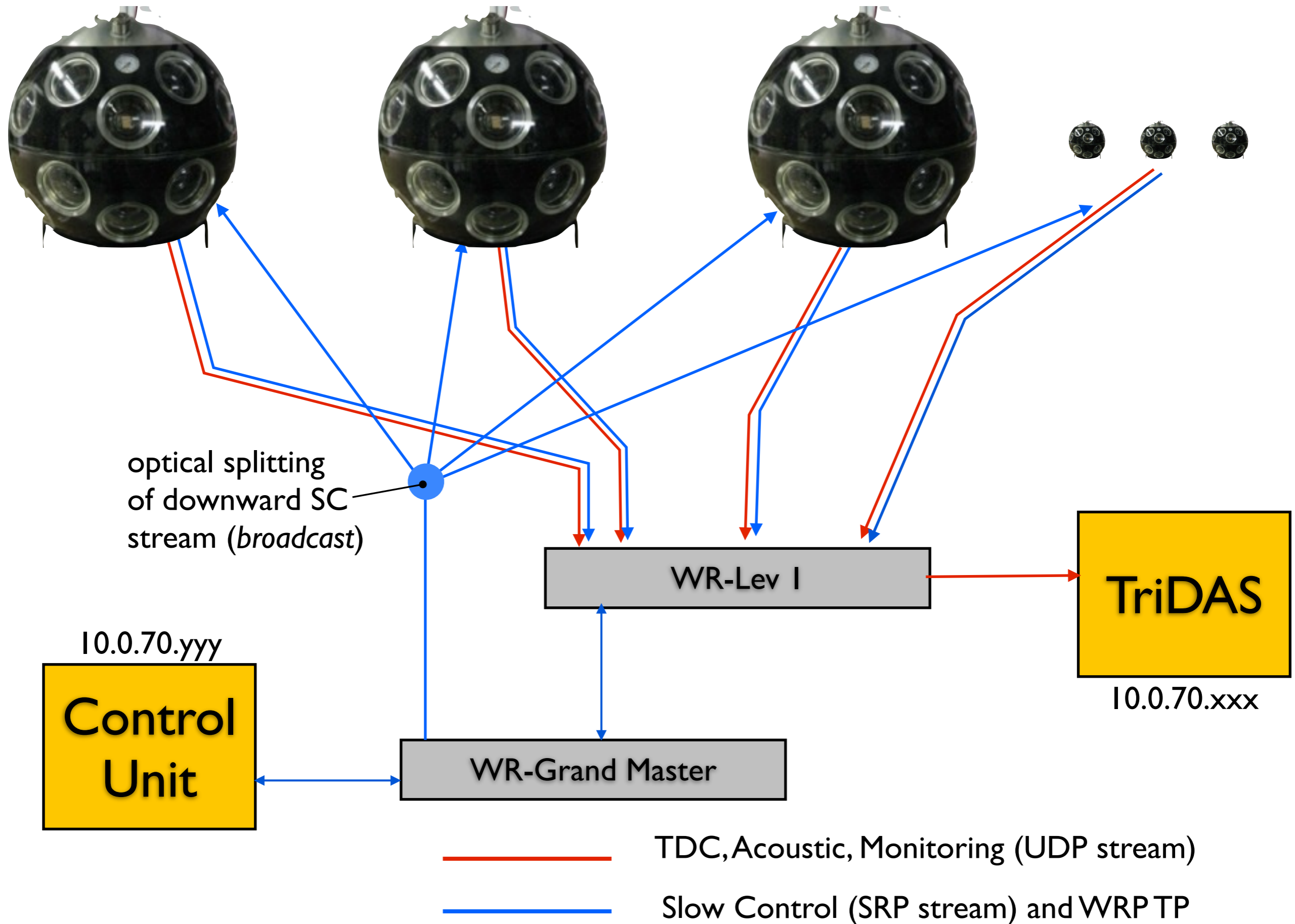
DAQ kit for Integration tests

- defined a **common playground** (OS, packages, dependencies)
- Tools for **CLB control**: a Java Gui and soon also the Detector Manager
- **DAQ Chain** for rawdata processing and dumping on disk:
DataQueue,
DataFilter and DataWriter
- Tools for **quick checks** and monitoring of rawdata:
CLBSwissKnife
ROyWeb
- **wiki page** with all instruction for installation
http://wiki.km3net.physik.uni-erlangen.de/index.php/DAQ_kit_for_integration_tests

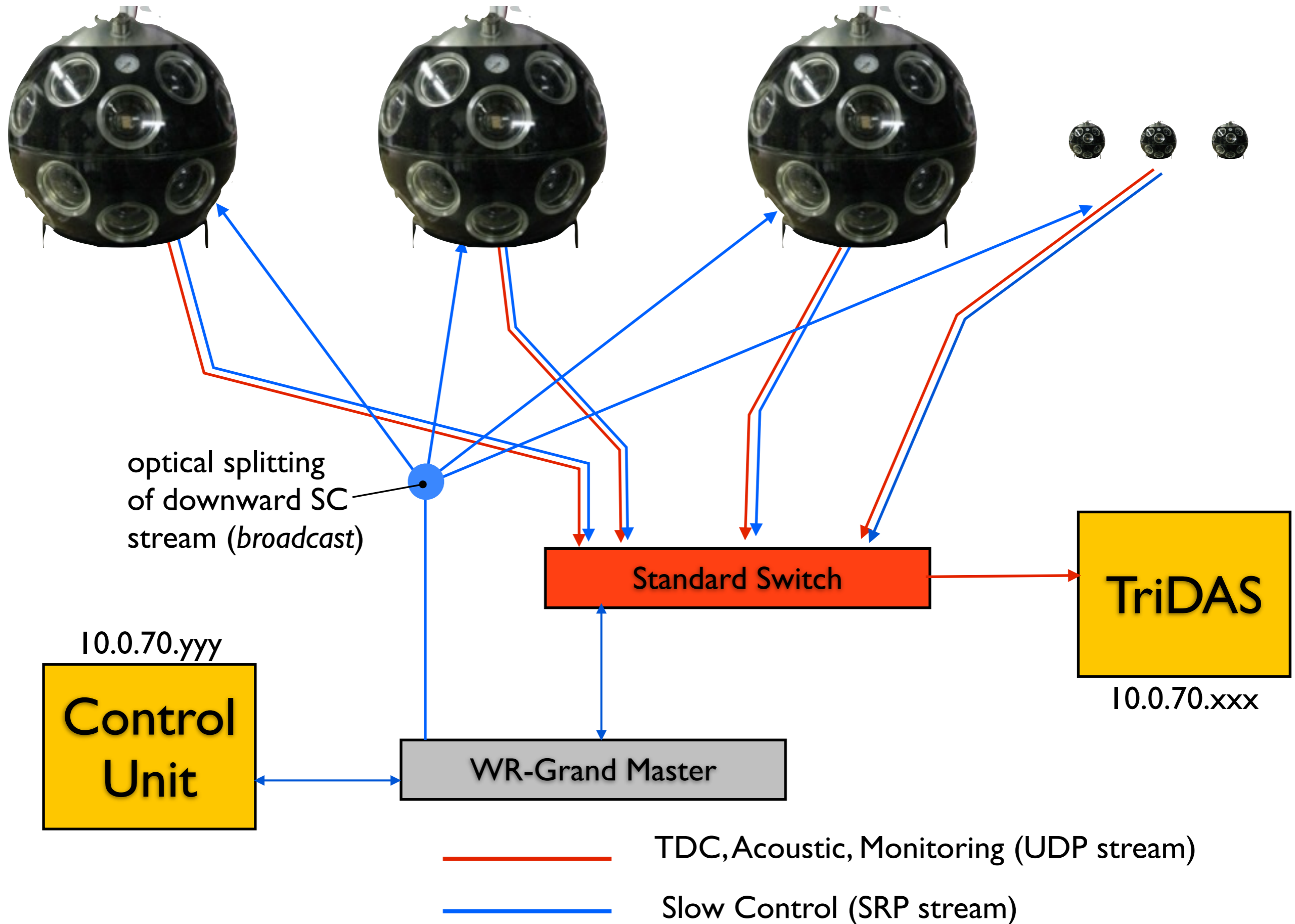
In preparation a **virtual machine image** with all the gears.

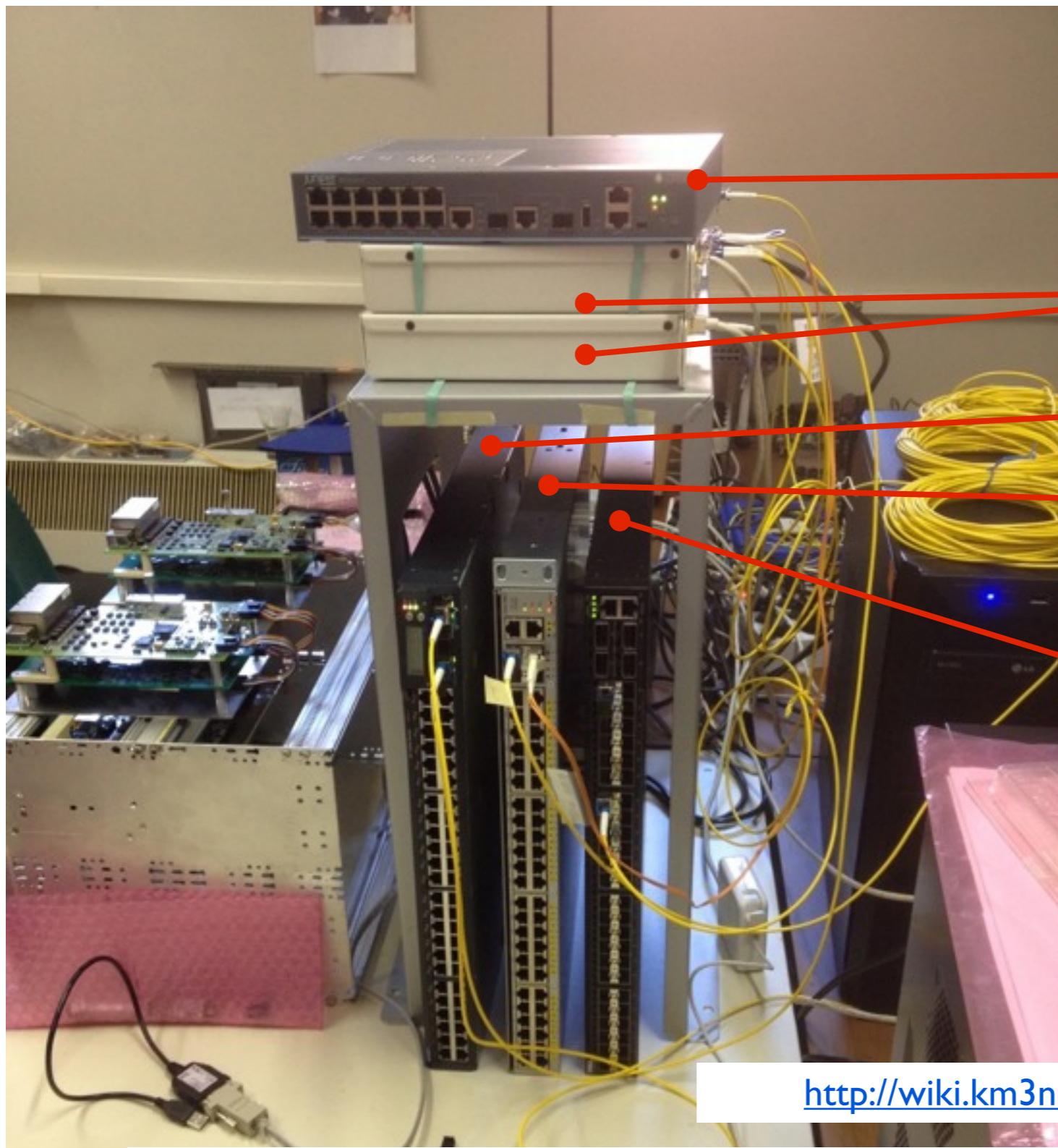
WR vs. Hybrid network

Data-stream scheme with full WR scenario



Data-stream scheme with hybrid scenario





Juniper EX2200-C

WR-Switches

Juniper EX4200-C

Cisco S4948

Dell S4810

http://wiki.km3net.physik.uni-erlangen.de/index.php/DAQ_Tests

Discussion is ongoing across different WGs
Since TimeCalibrations is a hot issue

Compelling tasks

1. PRR -Reply ... is it all ok for you? few answers received so far (since September)

2. By the beginning of the next year we should be ready with a bit more than the minimum setup

... which includes

Control Unit

Data Base / Data Base Interface

Acoustic Stream handling

3. WORKSHOP !!