



ELENA Project



Installation follow-up

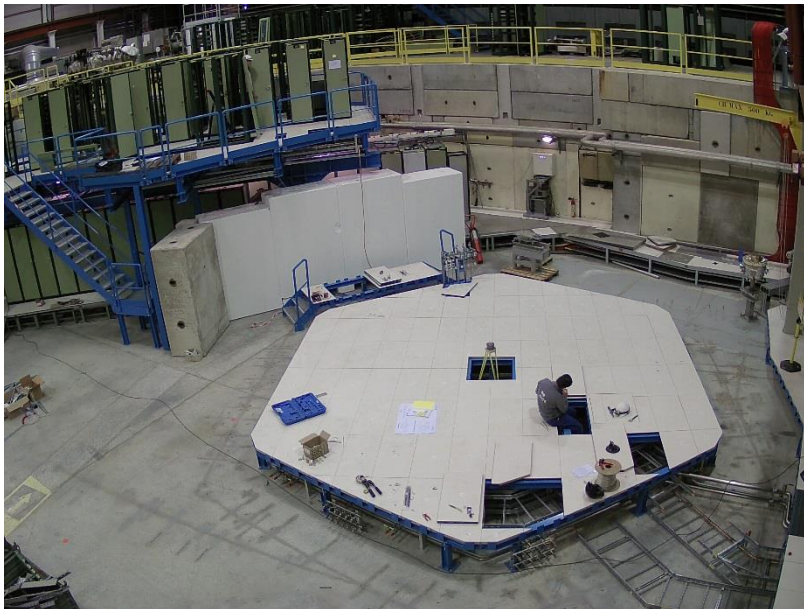
Worksite follow-up

- ▶ Mechanical support installation
 - ▶ Marking for LNI and the vacuum supports done
 - ▶ Septum has been relocated to allow the drilling of the vacuum support
 - ▶ Cutting of the cable trays done
 - ▶ Drilling for the vacuum supports done
 - ▶ End of installation of the mechanical support will start by the end of the week.
 - ▶ Septum can be reinstalled



Worksite follow-up

- ▶ Platform and false floors installation
 - ▶ **Central platform is finished**
 - ▶ **Work for next week**
 - ▶ Rack platform will be completed (barriers to be installed)
 - ▶ Lateral platform will be fixed to the ground
 - ▶ Repairs of the rack ground floor
- ▶ Price request will be done to install missing plates under the platform and to modify the false floor in the power room



Worksite follow-up

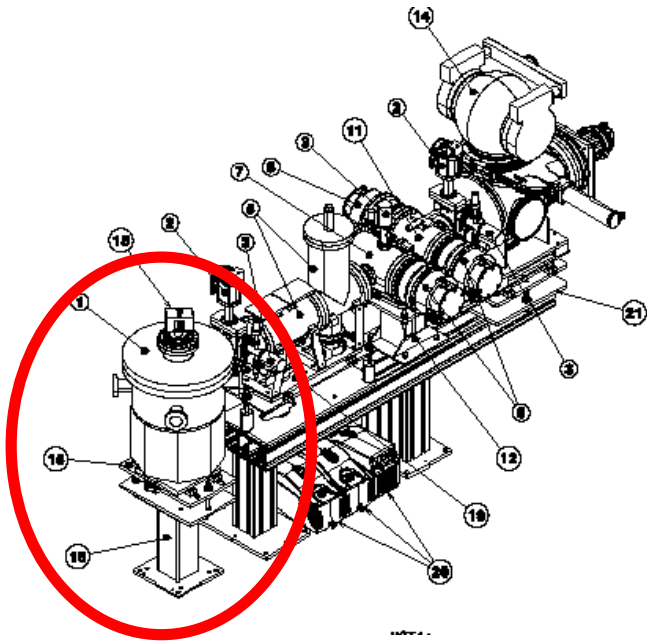


▶ Crane reinstallation:

- The crane has been reduced by 700mm in height and the arm by 450mm
- Reinstallation of the crane done.
- Load tests done on the 25th August by DGS-SEE
- **Crane now installed and functional (Max load 500kg)**

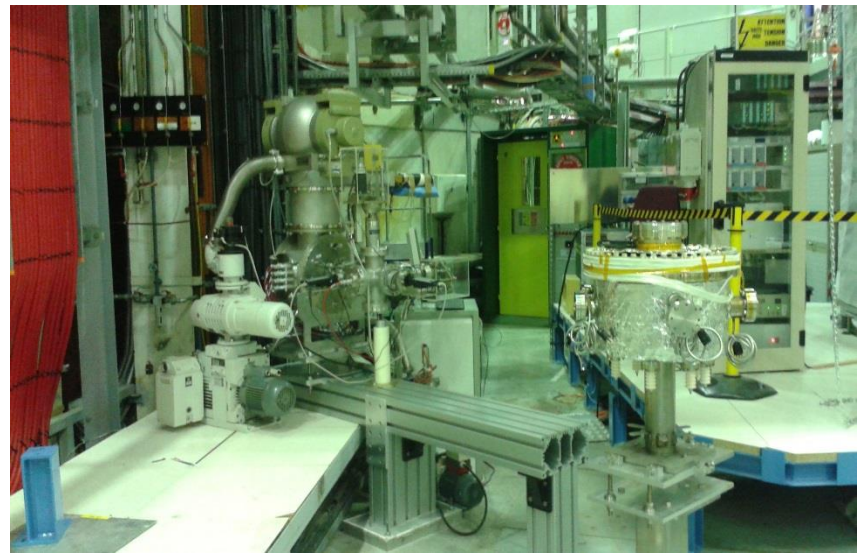
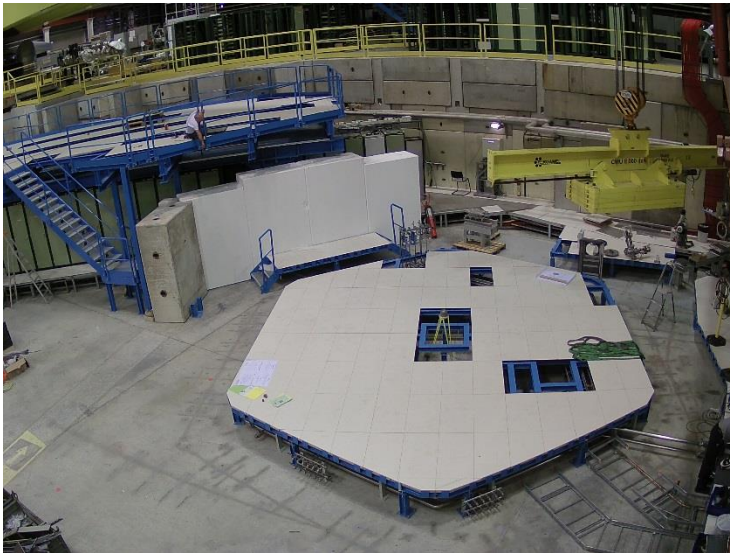
Worksite follow-up

- ▶ Ion switch installation (D. Barna) :
 - ▶ Installation done on the 14th of August



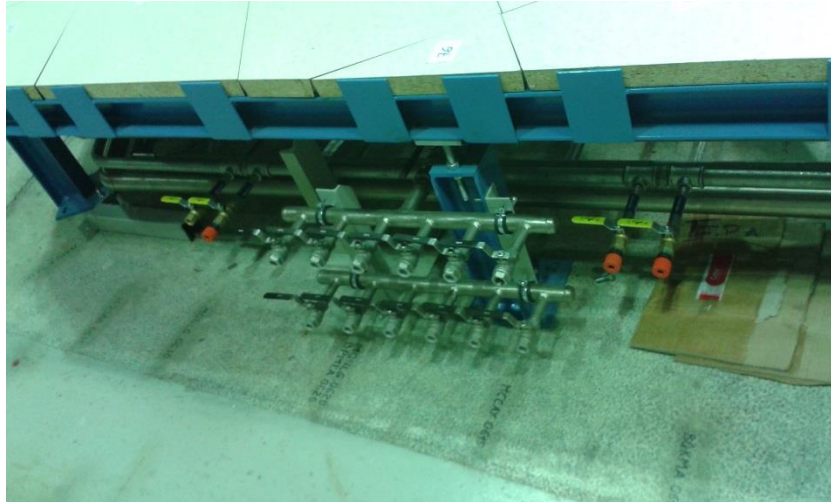
Worksite follow-up

- ▶ Source installation (E. Megia/ B. Lefort) :
 - ▶ Disconnection of cooling: Done
 - ▶ Source itself is back to Juelich for HV tests with Faraday cage
 - ▶ Installation of the source: Done
 - ▶ 2nd week of September : Reinstallation of the source + tests



Worksite follow-up

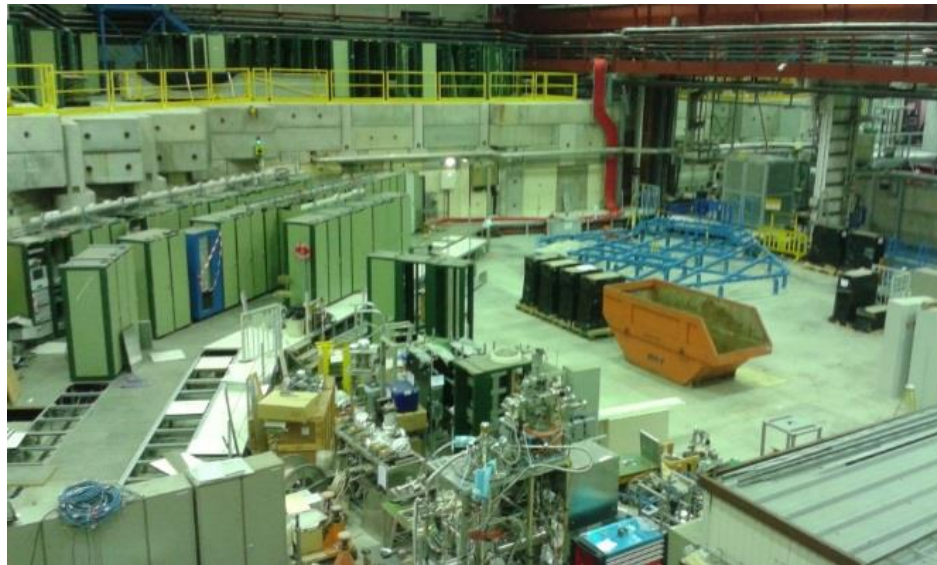
▶ EN-CV Works



- Installation of the manifolds : source done (final connection will be done in 2-3 weeks) and septum being done
- Installation of the compressed air network done

Worksite follow-up

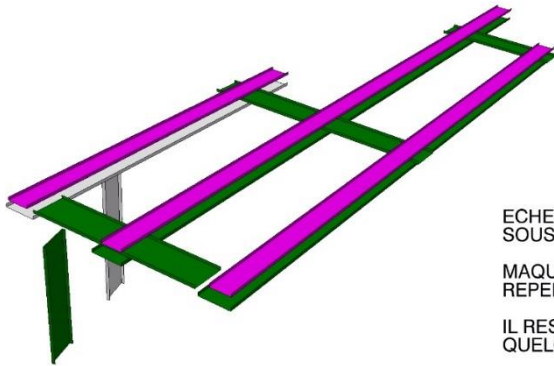
▶ Cleaning of Gbar Area



Objective :Area completely cleaned by the end of August

Worksite follow-up

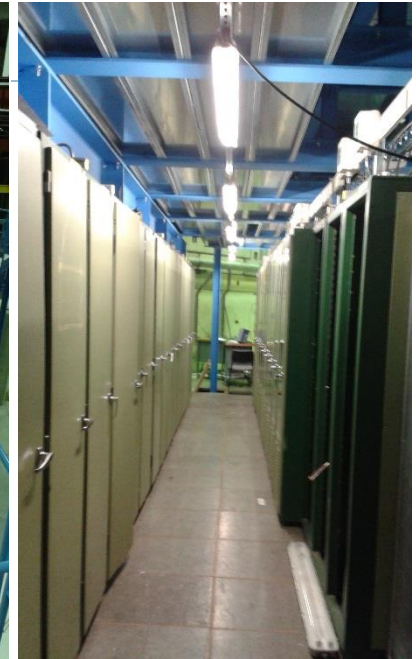
▶ LV works(M. Rigollet - EN-EL) :



ECHELLES A CABLES
SOUS PLATEFORME ELENA

MAQUETTE ST0696929
REPERE PS FLOOR

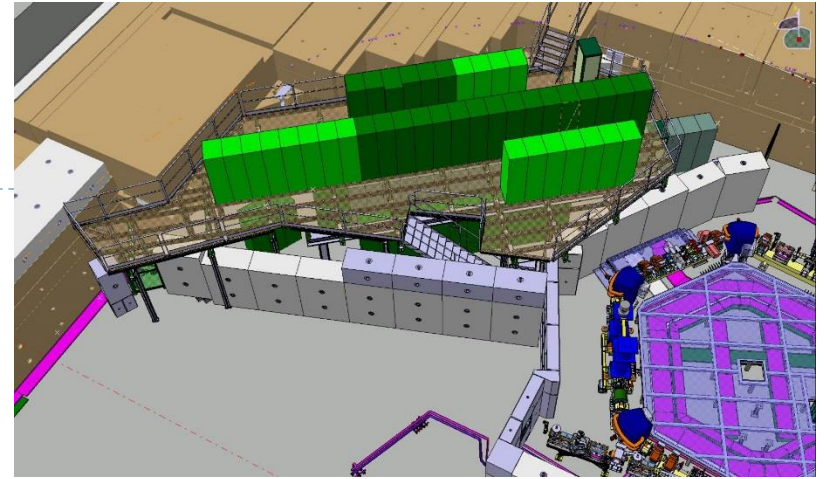
IL RESTE A METTRE
QUELQUES SUPPORTS



Cable trays : 90% done, will be finished by the end of the week
Lighting installation under the platform done.

Worksite follow-up

- ▶ Installation of new racks (P. Burdelski- EN-EL) :

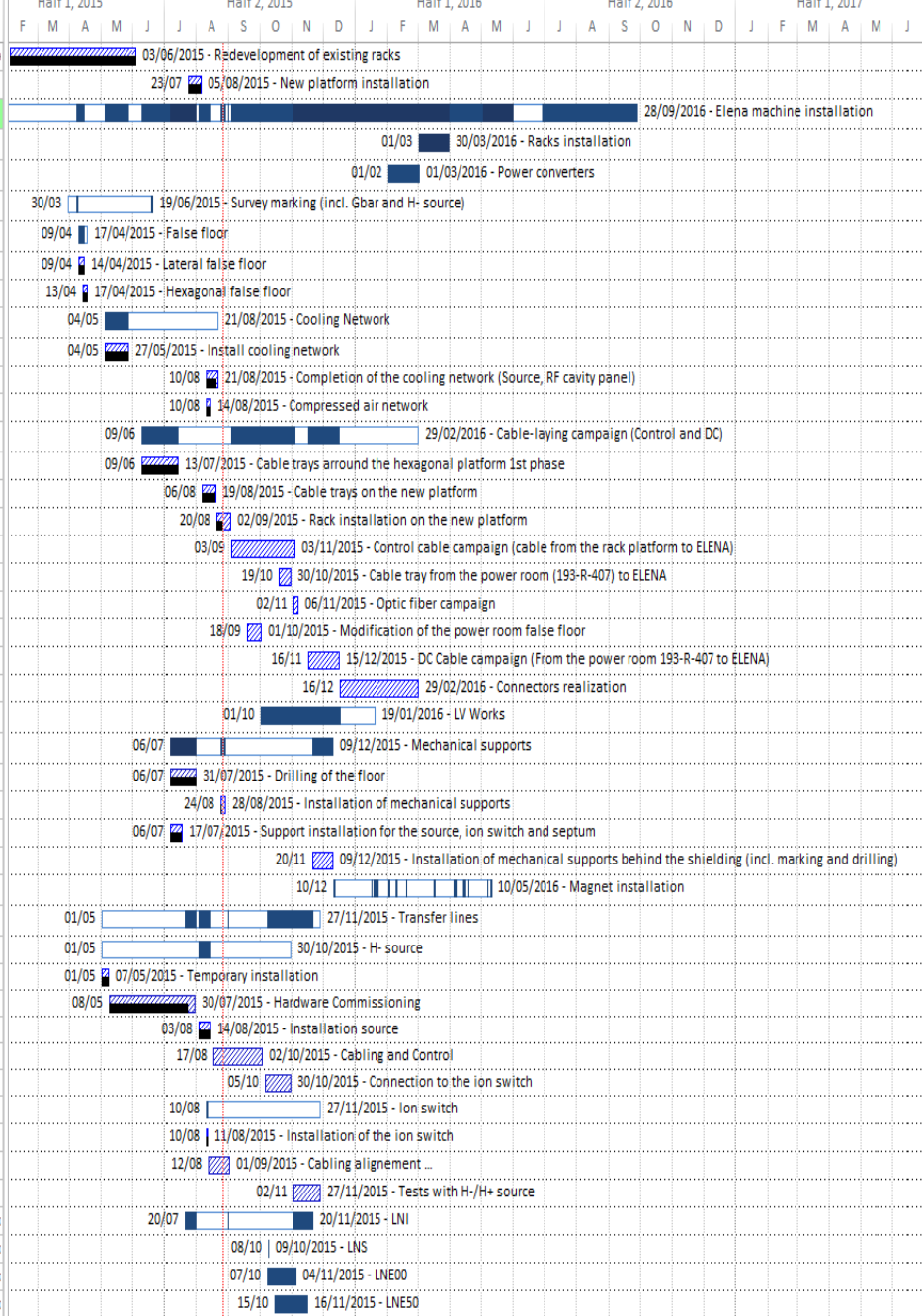


On-going

Summary of the work planned next week

- ▶ **Start of the first cabling campaign (P. Burdelski)**
- ▶ Installation of mechanical supports (A. Kolehmainen)
- ▶ Completion of the platform installation (D. Parchet)

Task Name	Duration	Start	Finish	Person responsible
Redevelopment of existing racks	4 mons	Mon 02/02/15	Wed 03/06/15	P. Lelong/R. Necca
New platform installation	2 wks	Thu 23/07/15	Wed 05/08/15	D. Parchet
Elena machine installation	692,5 days	Mon 06/01/14	Wed 28/09/16	
▸ Racks installation	22 days	Tue 01/03/16	Wed 30/03/16	Users
▸ Power converters	22 days	Mon 01/02/16	Tue 01/03/16	J. Baile
▸ Survey marking (incl. Gbar and H- source)	60 days	Mon 30/03/15	Fri 19/06/15	T. Dobers
▸ False floor	7 days	Thu 09/04/15	Fri 17/04/15	F. Butin
Lateral false floor	4 days	Thu 09/04/15	Tue 14/04/15	F. Butin
Hexagonal false floor	1 wk	Mon 13/04/15	Fri 17/04/15	F. Butin
▸ Cooling Network	80 days	Mon 04/05/15	Fri 21/08/15	A. Broche
Install cooling network	3,5 wks	Mon 04/05/15	Wed 27/05/15	A. Broche
Completion of the cooling network (Source, RF cavity panel)	2 wks	Mon 10/08/15	Fri 21/08/15	A. Broche
Compressed air network	1 wk	Mon 10/08/15	Fri 14/08/15	A. Broche
▸ Cable-laying campaign (Control and DC)	180 days	Tue 09/06/15	Mon 29/02/16	P. Lelong
Cable trays around the hexagonal platform 1st phase	25 days	Tue 09/06/15	Mon 13/07/15	R. Necca
Cable trays on the new platform	10 days	Thu 06/08/15	Wed 19/08/15	R. Necca
Rack installation on the new platform	2 wks	Thu 20/08/15	Wed 02/09/15	P. Lelong
Control cable campaign (cable from the rack platform to ELENA)	2 mons	Thu 03/09/15	Tue 03/11/15	P. Lelong
Cable tray from the power room (193-R-407) to ELENA	2 wks	Mon 19/10/15	Fri 30/10/15	R. Necca
Optic fiber campaign	1 wk	Mon 02/11/15	Fri 06/11/15	J-M. Lassauce
Modification of the power room false floor	2 wks	Fri 18/09/15	Thu 01/10/15	D. Parchet
DC Cable campaign (From the power room 193-R-407 to ELENA)	1 mon	Mon 16/11/15	Tue 15/12/15	P. Lelong
Connectors realization	2 mons	Wed 16/12/15	Mon 29/02/16	P. Lelong
▸ LV Works	69 days	Thu 01/10/15	Tue 19/01/16	R. Necca
▸ Mechanical supports	113 days	Mon 06/07/15	Wed 09/12/15	Anti Kolehmainen
Drilling of the floor	4 wks	Mon 06/07/15	Fri 31/07/15	Anti Kolehmainen
Installation of mechanical supports	1 wk	Mon 24/08/15	Fri 28/08/15	Anti Kolehmainen
Support installation for the source, ion switch and septum	2 wks	Mon 06/07/15	Fri 17/07/15	Anti Kolehmainen
Installation of mechanical supports behind the shielding (incl. marking and drilling)	14 days	Fri 20/11/15	Wed 09/12/15	Anti Kolehmainen
▸ Magnet installation	98,5 days	Thu 10/12/15	Tue 10/05/16	Daniel Schoering
▸ Transfer lines	151 days	Fri 01/05/15	Fri 27/11/15	Ranko Ostojic
▸ H- source	131 days	Fri 01/05/15	Fri 30/10/15	D. Kuchler
Temporary installation	1 wk	Fri 01/05/15	Thu 07/05/15	D. Kuchler
Hardware Commissioning	60 days	Fri 08/05/15	Thu 30/07/15	D. Kuchler
Installation source	10 days	Mon 03/08/15	Fri 14/08/15	D. Kuchler
Cabling and Control	35 days	Mon 17/08/15	Fri 02/10/15	D. Kuchler
Connection to the ion switch	20 days	Mon 05/10/15	Fri 30/10/15	D. Kuchler
▸ Ion switch	80 days	Mon 10/08/15	Fri 27/11/15	Wolfgang Bartmann
Installation of the ion switch	2 days	Mon 10/08/15	Tue 11/08/15	Wolfgang Bartmann
Cabling alignment ...	15 days	Wed 12/08/15	Tue 01/09/15	Wolfgang Bartmann
Tests with H-/H+ source	20 days	Mon 02/11/15	Fri 27/11/15	Wolfgang Bartmann
▸ LNI	90 days	Mon 20/07/15	Fri 20/11/15	R. Kersevan/ G. Ridi
▸ LNS	1 day	Thu 08/10/15	Fri 09/10/15	R. Kersevan/ G. Ridi
▸ LNE00	21 days	Wed 07/10/15	Wed 04/11/15	R. Kersevan/ G. Ridi
▸ LNE50	22 days	Thu 15/10/15	Mon 16/11/15	R. Kersevan/ G. Ridi



Comparison with TE-VSC schedule :

Ligne LNI :

- 4 X chambres quadrupoles → **30/10/2015 OK**
- 1 X chambre à pantalon → **01/11/2015 OK**
- 1 X chambre dipôle → **01/11/2015 OK**

Ligne LNR :

- 1 X chambre injection (section 1) → **29/04/2016 OK**
- 1 X chambre éjection (section 3) → **01/01/2016 OK**
- 1 X chambre éjection (section 6) → **29/04/2016 OK**

LNR Dipoles

- X2 mid dec **OK**
- X2 mid jan **OK**
- X2 mid feb **OK**

Chambres pour LNR

- Fin janvier : **~ 10 chambers are planned to be installed in the magnets in January**