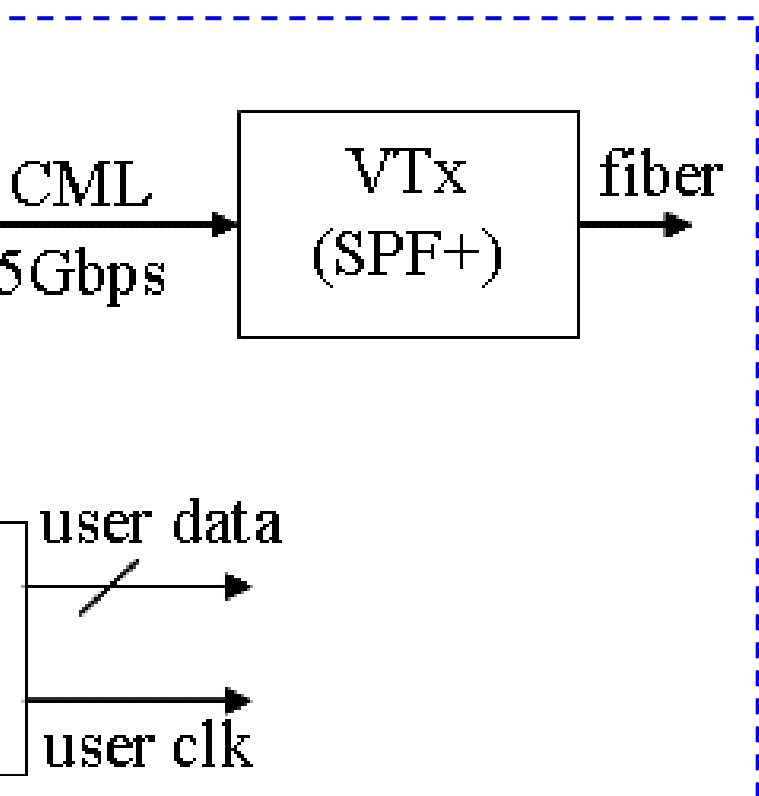


# SOS LOC

SIC being developed for ultrahigh speed, low power and radiation tolerant optical link systems for the LHC upgrade. Implemented on the Silicon-on-Sapphire 0.18  $\mu\text{m}$  commercial CMOS technology.

Designed at SMU to meet



the Tracker

The LOC design and

Full schematics level simulation has been performed.

with the 2.5 GHz

