

DRIVER: Building a sustainable infrastructure of European Scientific Repositories



A project funded by the European Commission,
“Research Infrastructure” Unit

The framework and vision

Berlin Declaration

Free and unrestricted access to sciences and human knowledge representation worldwide, incl. cultural heritage

⇒ Needs an interoperable, trusted, long-term repository infrastructure

General Information

- Duration: 18 months
- Budget: 1.8M
- Timeplan: 06/'06 – 11/'07
- Main Deliverables:
 - DRIVER Public Test-bed
 - European Awareness Repository Point
- Website:
<http://www.driver-repository.eu/>

• Partners

- Univ.of Athens (GR)
- Univ. of Bielefeld (GE)
- CNR-ISTI (IT)
- STICHTING SURF (NL)
- Univ. of Nottingham (UK)
- CNRS-CCSD (FR)
- Univ. of Bath (UK)
- Univ. of Warszawski (PO)
- Univ. of Gent (BE)
- Univ. of Gottingen (GE)



DRIVER – Digital Repository Infrastructure Vision for European Research

DRIVER

« *The first step towards a pan-European Infrastructure for digital Repositories* »

Network of “Content-Providers”

- Institutional, national, European, thematic networking
- Currently documents, second phase primary data etc.

Content



“Test Bed” for Repository-Services

- Open Service-Architecture with core functionalities
- Fundament for a pan-European repository infrastructure

Infrastructure

“Focussed Studies”

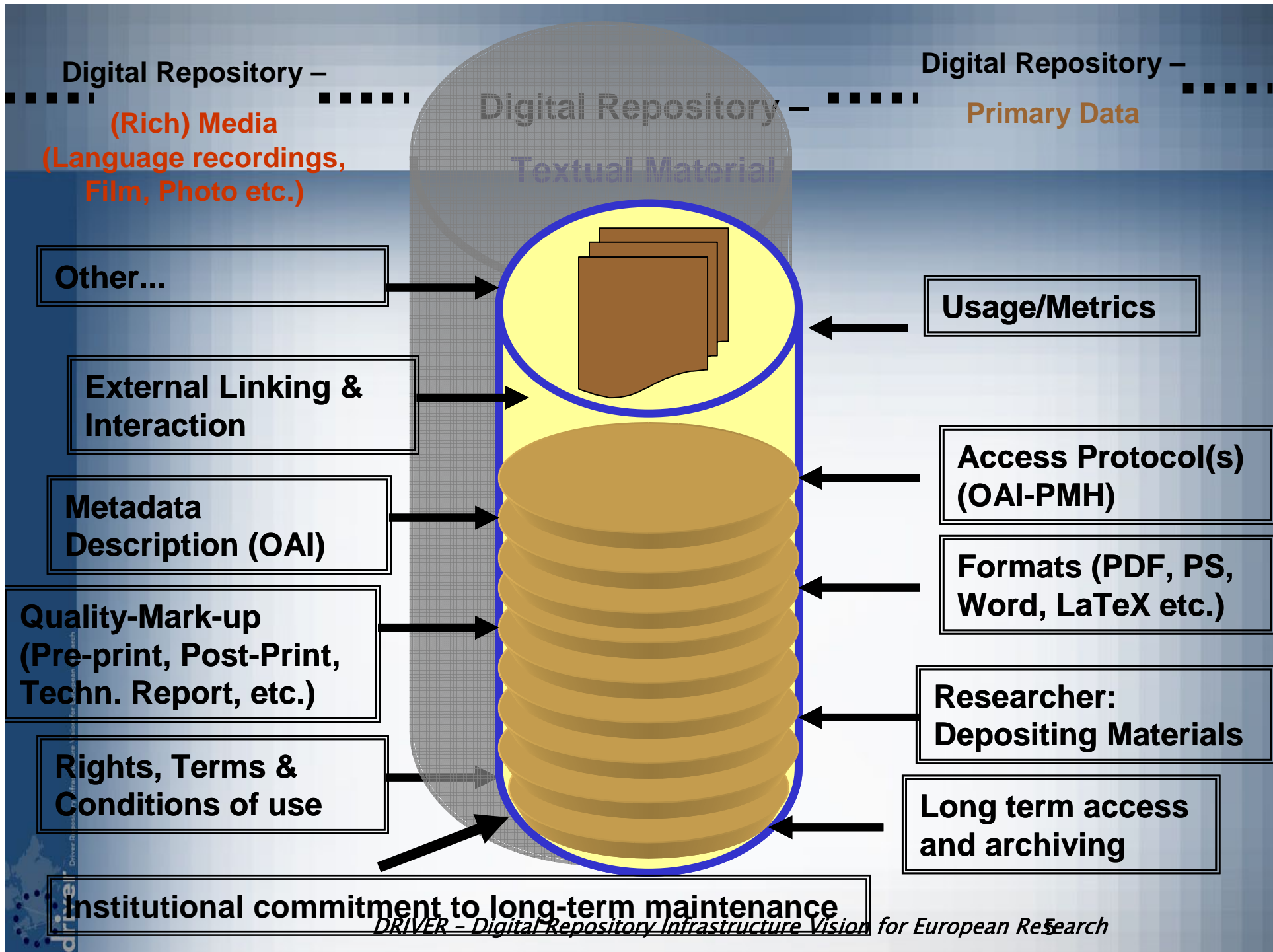
- Ex. Most comprehensive study on digital repositories in Europe

Planning

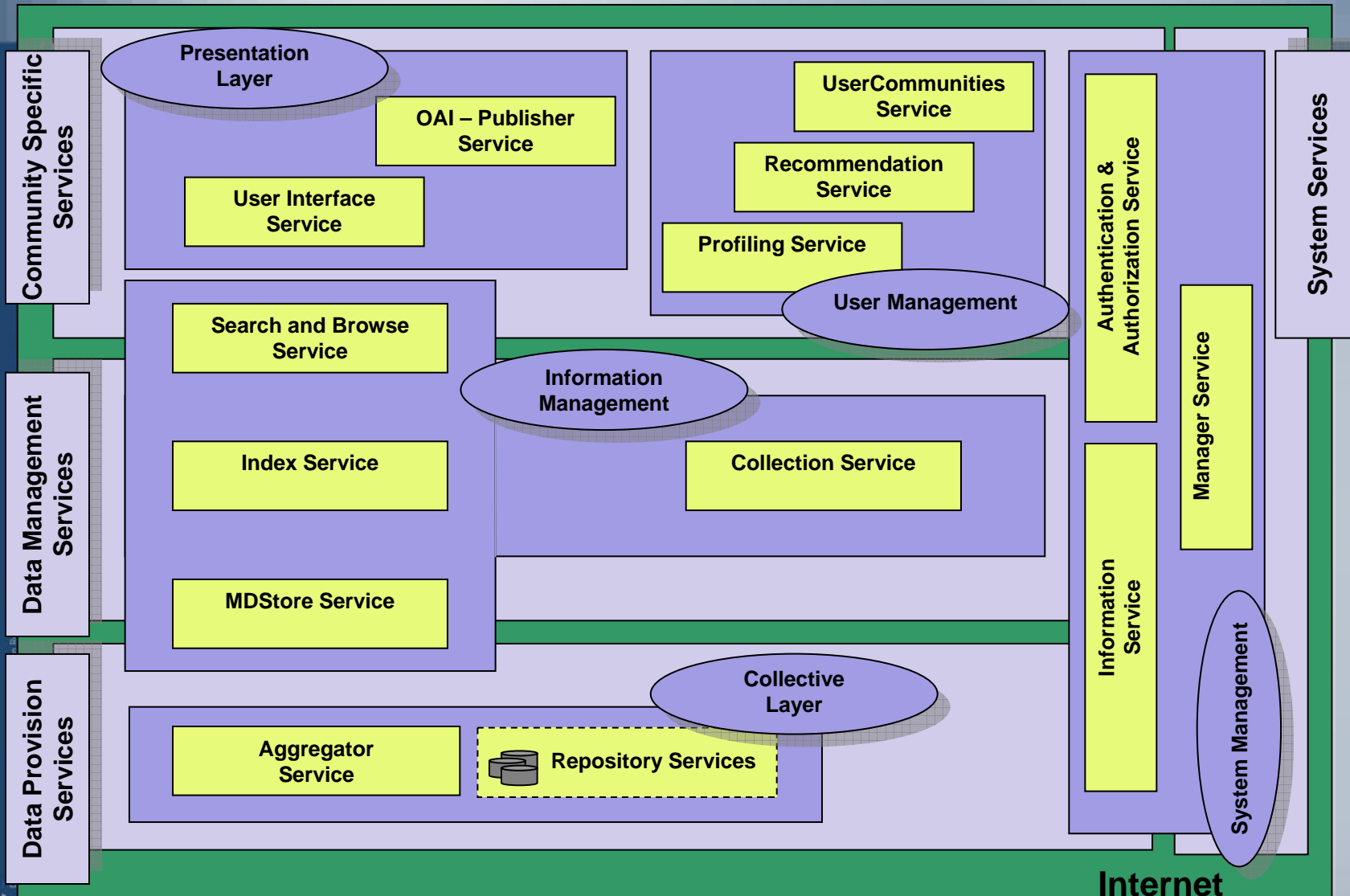
“Advocacy and Awareness Raising”

- A European point of information
- Information- und training activities

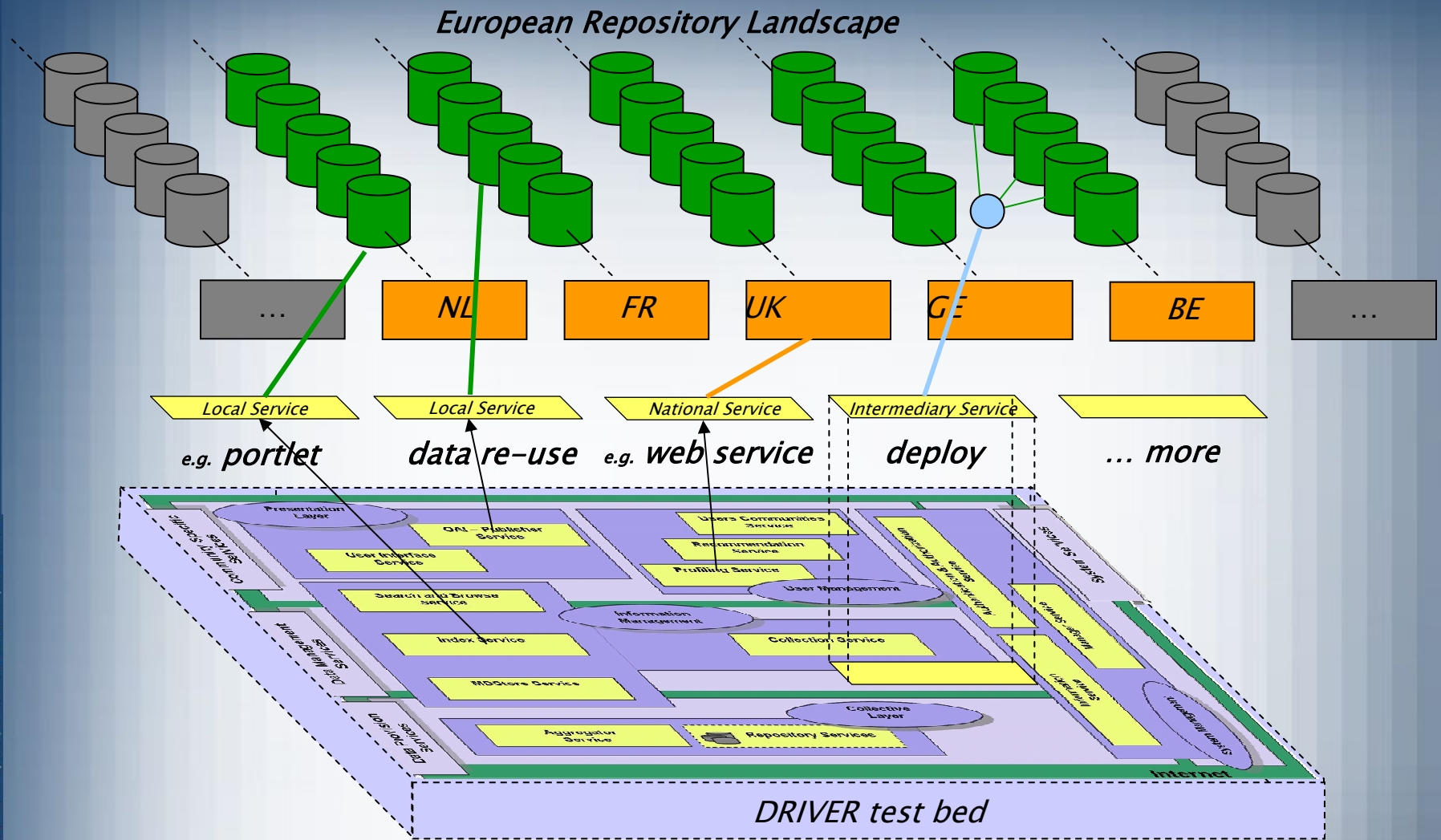
Outreach



DRIVER Technical Architecture



DRIVER Testbed



DRIVER - Digital Repository Infrastructure Vision for European Research

DRIVER Products / Deliverables

1. An **organisational framework** for repository providers
2. An established network of repository providers from 5 countries
3. **Praxis guidelines** to make your local repository fit for the European Network
4. A **harmonised data index** of more than 51 institutional repositories for open re-use
5. **Content**: multidisciplinary documents, all open access, various categories (technical papers, pre-/postprints, dissertations etc.)

DRIVER Products / Deliverables

1. A core set of **software** to aggregate, manage, distribute repository data, **open-source, for re-use**
2. A production quality testbed which combines and runs the software modules
3. **A website** to support the building of local, regional, national repository infrastructures
4. An updated, comprehensive **overview of the repository situation in Europe** (study)
5. Further studies (incl., „how to populate repositories“, technical standards)



- Information for...**
 - [Researchers](#)
 - [Institutional Staff](#)
 - [Funding Agencies](#)
 - [Publishers](#)
 - [Others](#)
- Information about...**
 - [DRIVER](#)
 - [Open Access Overview](#)
 - [Open Access Policies](#)
 - [Building Repositories](#)
 - [Countries](#)
 - [Copyright](#)
- DRIVER Site Search**
 - [Site Map](#)

Home

DRIVER - Digital Repository Infrastructure Vision for European Research

Welcome to the DRIVER website, supporting repository development across Europe.

Digital repositories can help make research information more widely available, more widely used, and improve the process of research itself. There is a world-wide movement to open up access to research information in this way. DRIVER is working to create a European network of repositories to disseminate and use research information.

Use this site to access information, support and services relating to Open Access and digital repositories and to become part of this growing community.

There is information available for different interested parties - researchers, research funders, administrators and others. There is general information relating to the ideology and practical implementation of repositories.

The site holds details on the state of development in different European countries and how you can join the growing international network.

You may also want to suggest events or announce news on this site that other visitors may find useful.



Why is DRIVER an infrastructure project?

- Infrastructure example: W-LAN, GEANT2
- Characteristics DRIVER:
 - Designed for open, comprehensive re-use of data and software
 - DRIVER \neq OAster, BASE but DRIVER data or software can also be deployed by systems like OAster or BASE
 - Success not measured by the number of users searching the DRIVER index but by the number of service providers re-using/deploying DRIVER data and/or software
 - DRIVER Search interface is a demonstrator, not a primary goal
 - Facilitates and secures trans-national interoperability of digital repositories and the commitment of content providers

DRIVER success factors as infrastructure project

- Service Providers deploying the data index (or portions of it), like SUMMA, Digital Library System, SB Aarhus, DK
- National, regional repository aggregators re-using DRIVER software
- Countries, regions, building repository networks facilitated by DRIVER (like Belgium)



The DRIVER
++Testbed++

DRIVER's
End-user
Services

DRIVER
Search

DRIVER
Recommendation

MiddleWare

OAI-PMH
Harvester

Manager

Content

UK

NL

Organisation
and
Provision

BE

FR

GER

Information
Service

MiddleWare

Content

Subject
Gateways

Aggregator / Index
Browsing Service

Academic
Search Engines

Digital
Libraries



DRIVER's Deployment by
External Service-Providers, e.g.

Outlook: DRIVER II Products (Planning)

1. An **organisation(?)** of repository providers
2. An established network of repository providers from 15 (= 5+10) countries
3. A **harmonised data index** of more than 150 (50+100) institutional repositories for open re-use
4. **Content:** multidisciplinary documents + other data/objects

Outlook: DRIVER II Products (Planning)

1. An expanded set of **software** to aggregate, manage, distribute repository data, **open-source, for re-use**
2. A production quality infrastructure which runs the software modules
3. **An expanded website** to support the building of local, regional, national repository infrastructures
4. Further studies (e.g. primary data in repositories)

DRIVER is liaising with...

- National, regional organisations of digital repositories providers
- International repository projects and initiatives
- Research organisations and research funders
- National and international university organisations
- Open Access „activists“
 - one example: OA Information Platform for German speaking countries (www.open-access.net), online May 2007



Der freie Zugang zu wissenschaftlicher Information

informationsplattform

Suche

ALLGEMEINES

[Definition von Open Access](#)
[Gründe für Open Access](#)
[Geschäftsmodelle](#)
[Rechtsfragen](#)
[Praktische Umsetzung \(FAQ\)](#)

OA IN VERSCHIEDENEN FÄCHERN

OA in verschiedenen Fächern

WISSENSWERTES FÜR ...

[Autoren](#)
[Gründer/Herausgeber von OA-Zeitschriften](#)
[Gründer und Betreiber von Repositorien](#)
[Bibliotheken](#)
[Hochschulleitungen](#)
[Förderorganisationen](#)
[Verlage](#)

OA INFORMATIONEN DER ...

[Helmholtz Gemeinschaft](#)
[Max Planck Gesellschaft](#)

AUSTAUSCH

[Expertenforum](#)
[News](#)
[Links](#)
[Termine](#)

[Home](#)

Welcome to the Open Access Information Platform

An old tradition and a new technology have converged to make possible an unprecedented public good.

Open Access means scientific work and materials are accessible online for every user free of charge. Open Access is a very current and trend-setting topic with many supporters world-wide.

In the basic principles and practice of Open Access mainly the golden and the green road are differentiated. The grey road as a further, own strategy is mentioned more rarely.

The advantages of Open Access, among other things, are the increased visibility and thus the increased effectiveness of the scientific texts. On the other hand there are frequently expressed objections resp. fears concerning the transitory nature of digital data and the difficulties to find them.

This information platform helps to cover the rising need for information on Open Access. Apart from fundamental information, mainly assistance is offered in the range from practical conversion to basic legal conditions. The availability of different access options (via different subjects or scenarios) makes it possible to search target group specific information.

NEWS

Open Access an the Progress of Science

06.04.2007

Positive Einstellung von Wissenschaftlern zu Open Access

04.04.2007

Two pieces on OA in Der Standard

11.01.2007

Chinese translations of Budapest and Berlin statements

11.01.2007

OA PR

11.01.2007

[RSS Feed](#)

Projektpartner:

[Freie Universität Berlin](#)
[Universität Bielefeld](#)
[Georg August Universität Göttingen](#)
[Universität Konstanz](#)

Unterstützt durch:

[Deutsche Forschungsgemeinschaft](#)

DFG



MAX-PLANCK-GESELLSCHAFT



Stand: 10.04.2007
 Druckansicht

DRIVER II + N = Vision

A pan-European Digital Repository
Infrastructure Hub in a Global
Repository Network

- ⇒ any type of document, data and
object,
- ⇒ of any format,
- ⇒ involving all European countries
and
- ⇒ covering all academic disciplines

DRIVER Consortium Contacts:

+ Project website:

www.driver-repository.eu

+ DRIVER Support website:

www.driver-support.eu

mike@di.uoa.gr

lossau@sub.uni-goettingen.de

whorstmann@sub.uni-goettingen.de