

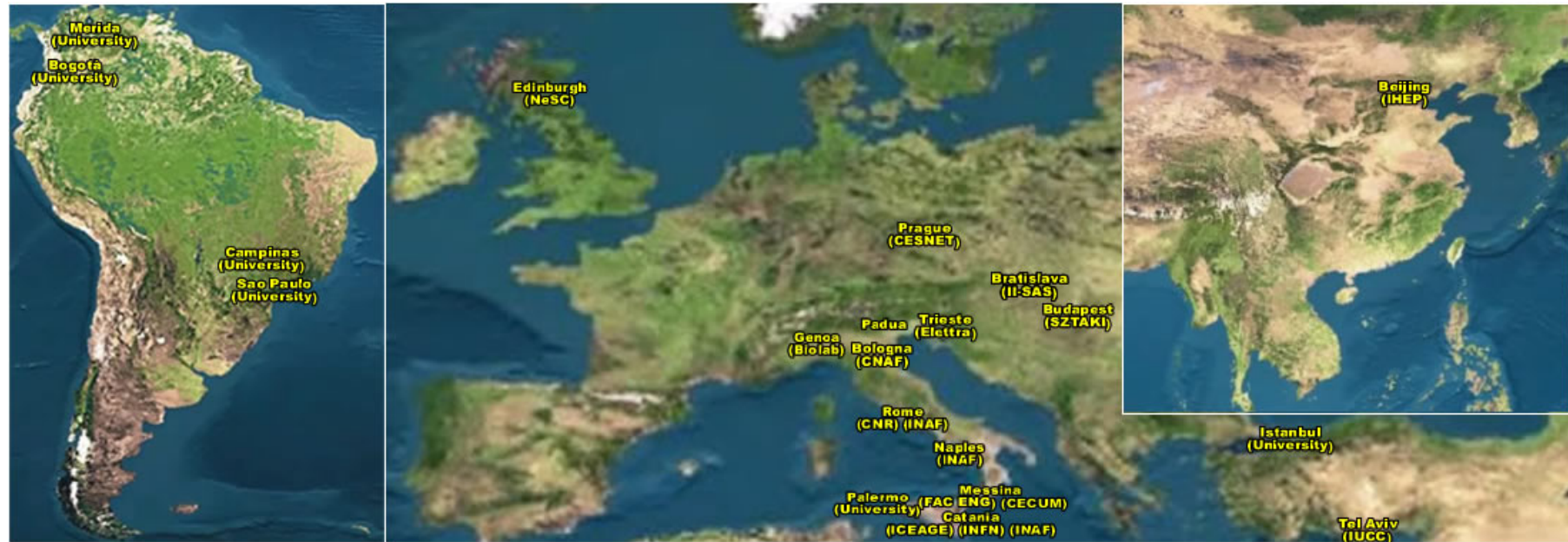


Enabling Grids for E-science

P-GRADE Portal hands-on using the EGEE GILDA VO

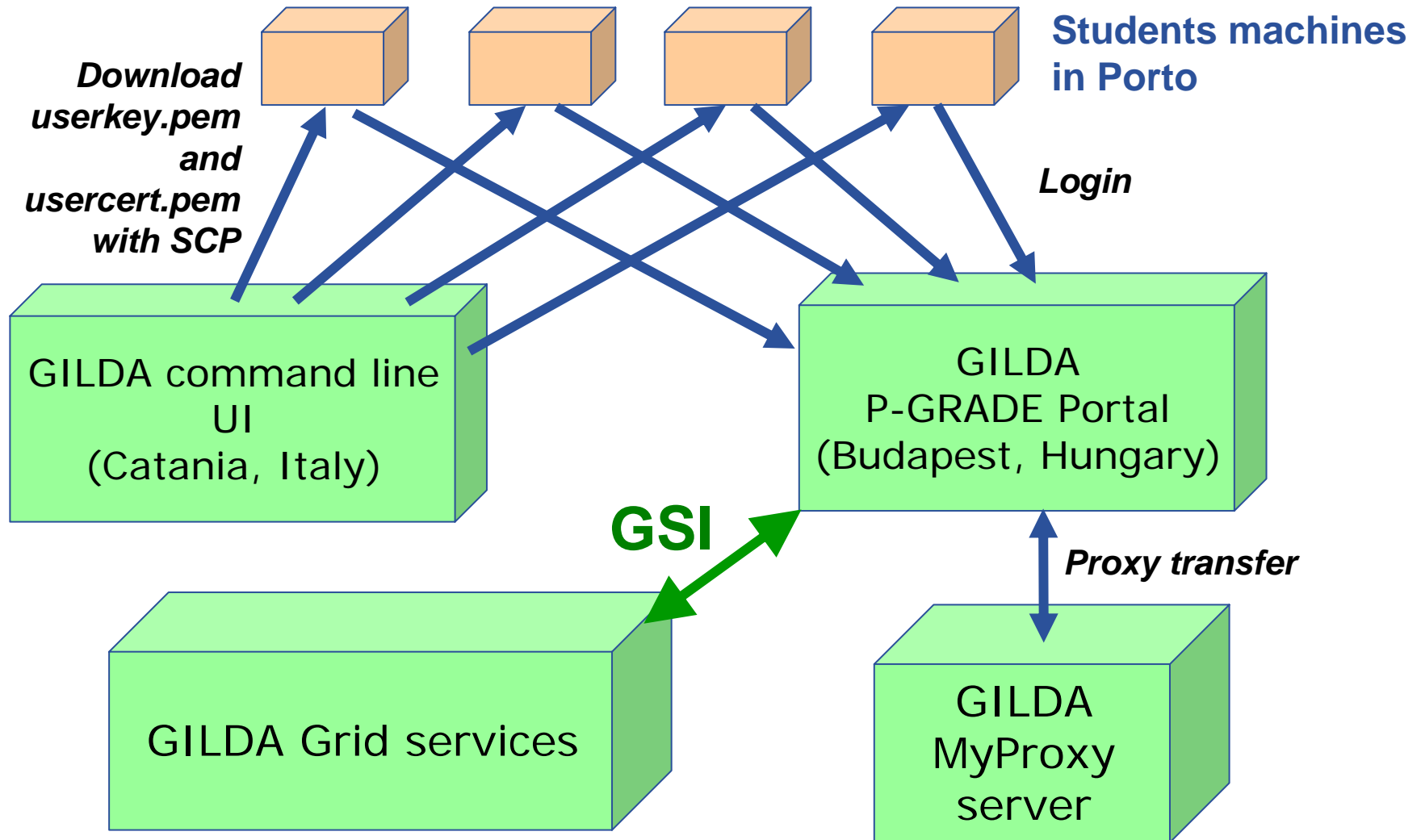
www.eu-egee.org





- **gLite 3** middleware
- higher level tools (including a P-GRADE Portal installation)
- **ANYBODY** can join GILDA VO and get an account for P-GRADE
- Has its own CA, issues renewable certificates with 2 weeks lifetime
- Primary role is to provide infrastructure for grid training events

- **Tutors obtained certificates from GILDA CA**
- **Tutors registered these certificates at GILDA VO**
- **Certificates and keys are available on one of the GILDA user interface machines: glite-tutor.ct.infn.it**
 - in PEM format
 - in P12 format
- **Tutorial starts at this point...**



- **egeena4.lal.in2p3.fr**
- **Application areas**
 - Astrophysics
 - Biomedical
 - High-energy physics
 - Comp. chemistry
 - Geophysics
 - Earth science
 - Finance
 - ...
- **Inter VO communication**
 - Wiki pages
 - Mailing lists
 - ...



The screenshot shows the EGEE User & Application Portal (NA4) website. The header includes the EGEE logo and the text "User & Application Portal (NA4)". Below the header, there is a breadcrumb trail: "Home > Grid Applications". A "Main Menu" sidebar is visible on the left, listing various categories such as Home, About Grids, Grid Applications, and various scientific fields. The main content area is titled "Grid Applications" and features a date "Monday, 12 June 2006". The text discusses the success of the EGEE project, the role of the Application Identification and Support (NA4) team, and the challenges of integrating new scientific communities. It also mentions the importance of training and dedicated support for user communities.