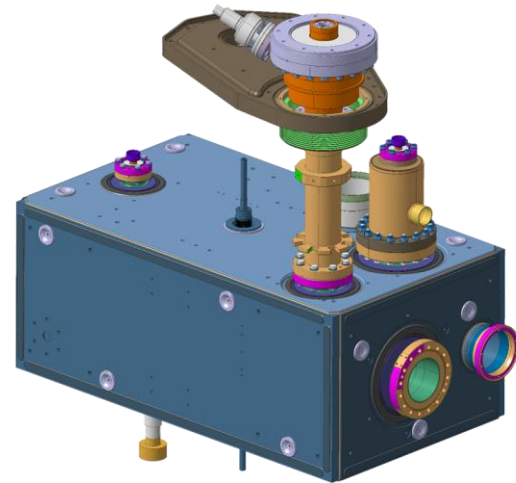




Tooling for FPC mounting



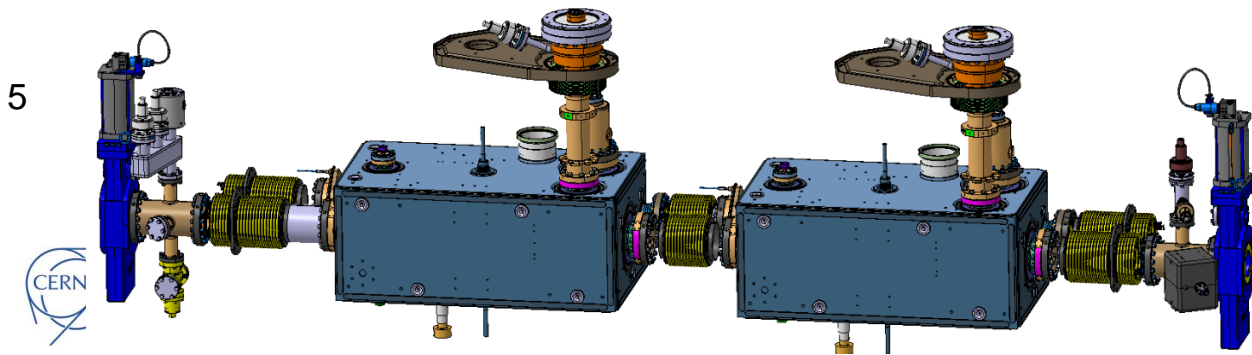
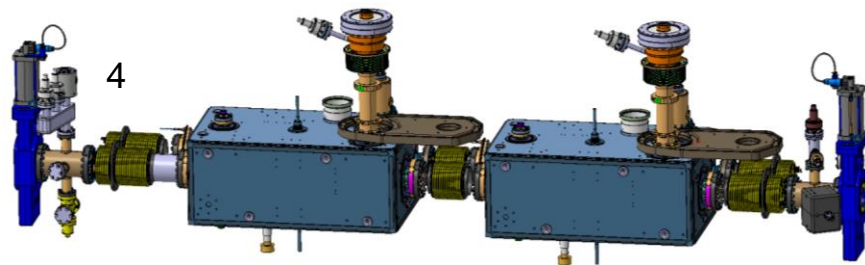
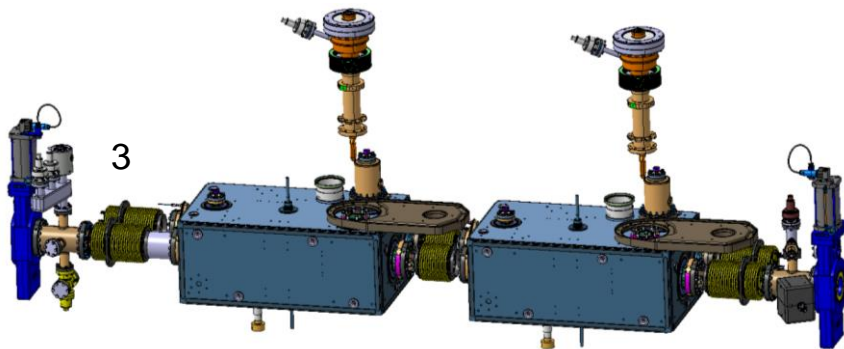
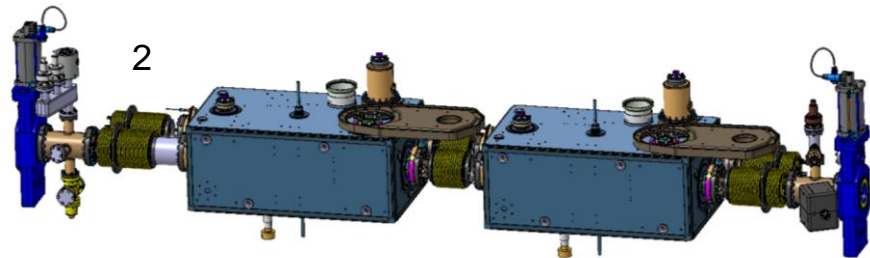
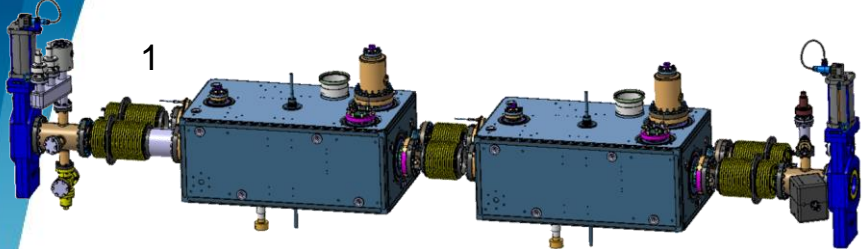
sebastien.calvo@cern.ch

nicolas.villanti@cern.ch

HL-LHC review meeting

24/02/2021

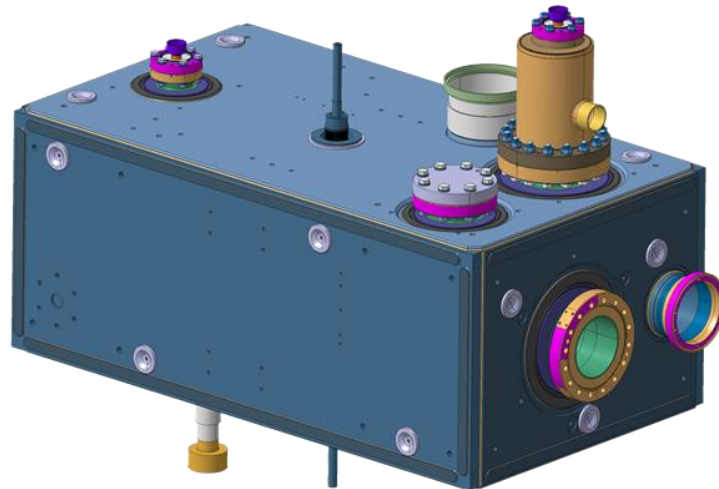




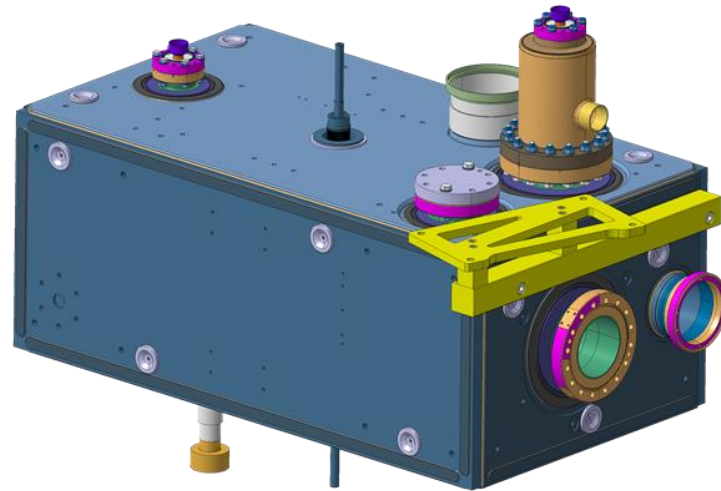
Flipbook FPC mounting

Location : clean room ISO4 for the next 12 steps

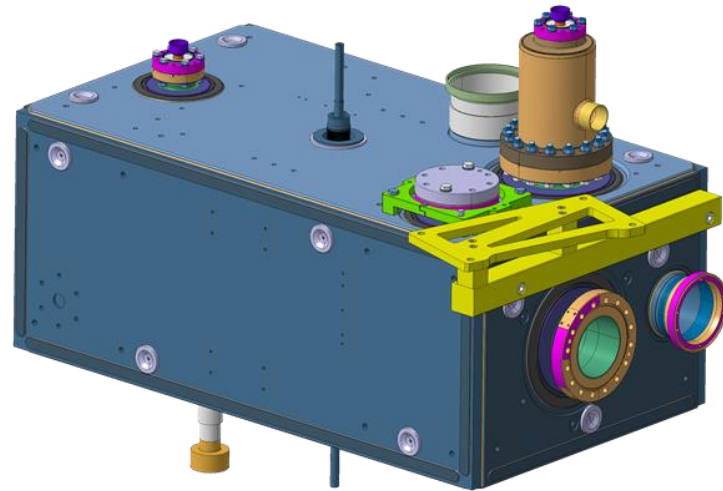
Step
1/12



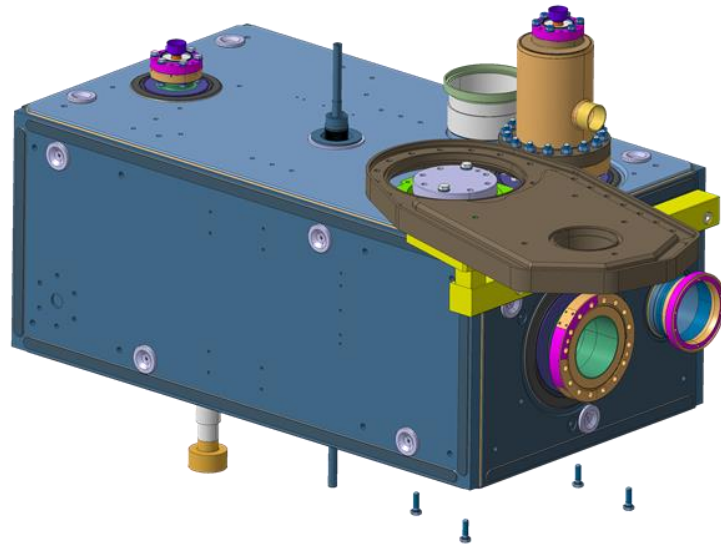
Removing six screws of FPC flange
Adding support plate system



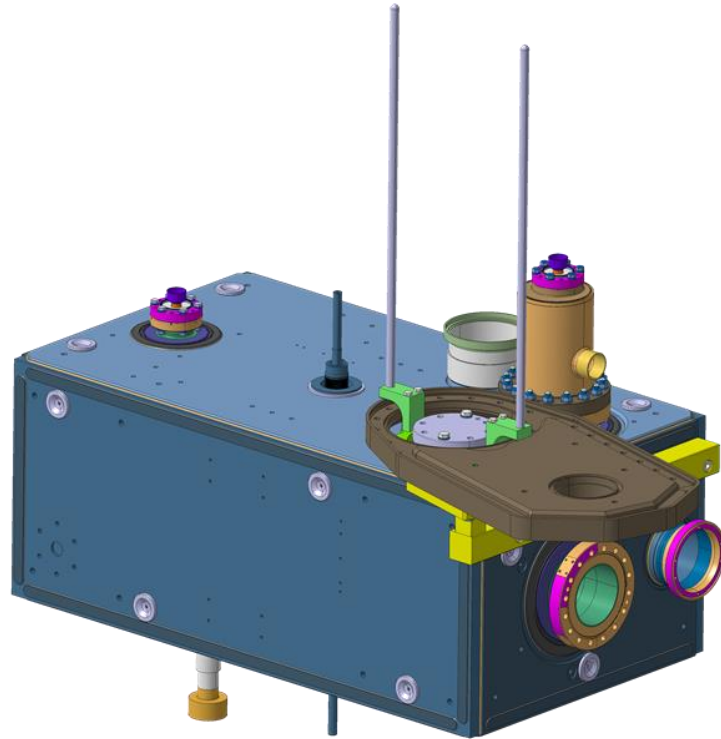
Adding positioning system for FPC mounting



Adding FPC plate on his support

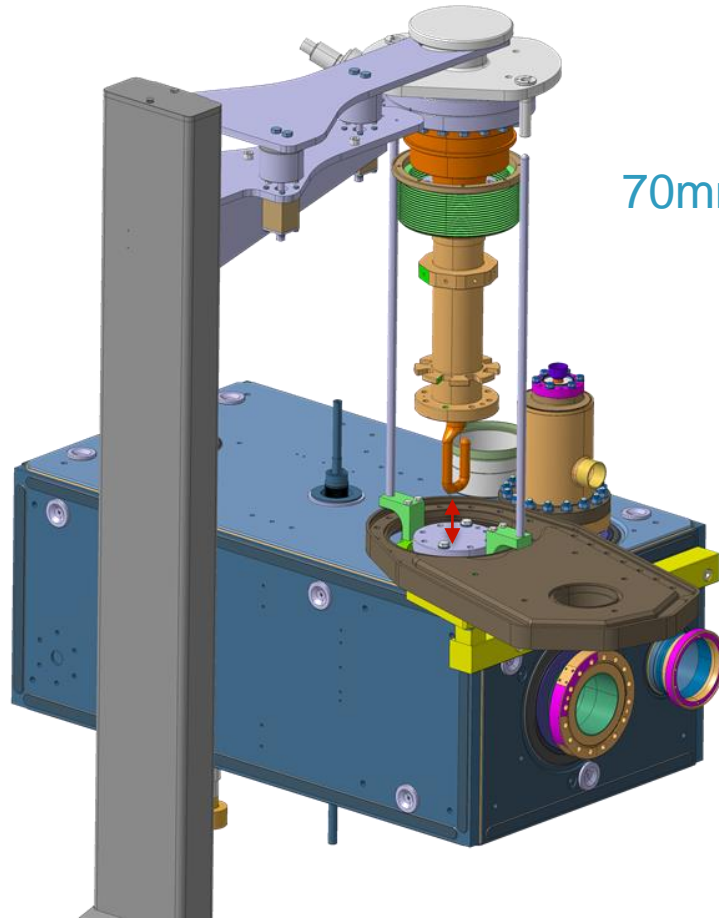


Adding guides for FPC mounting



Pre-positioning of FPC on lifter

Step
6/12

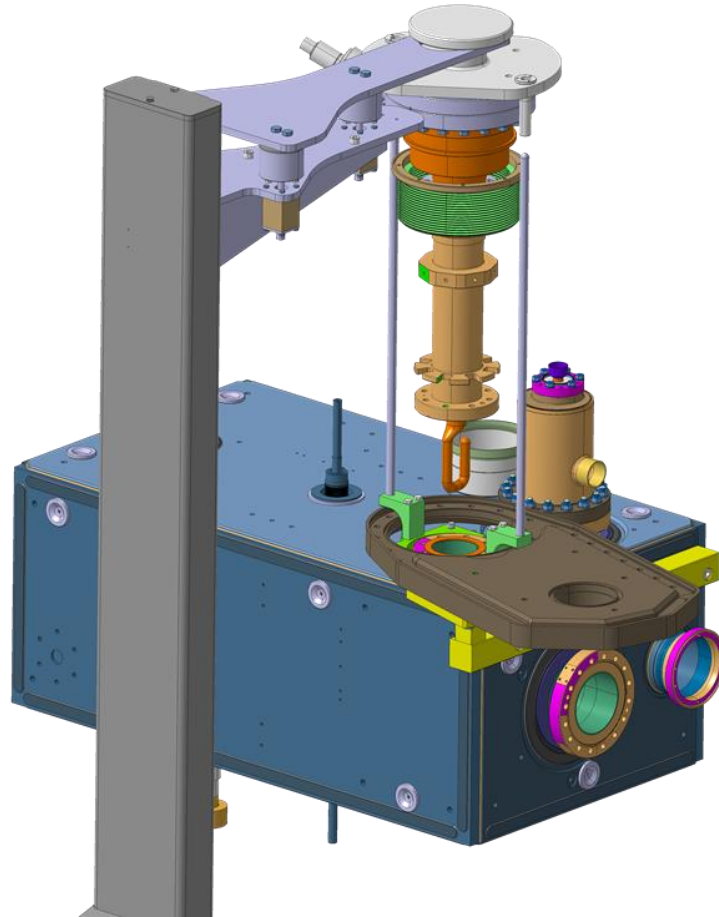


70mm between hook and flange

Being finalised

Removing two last screws, removing the flange and seal, adding a new seal

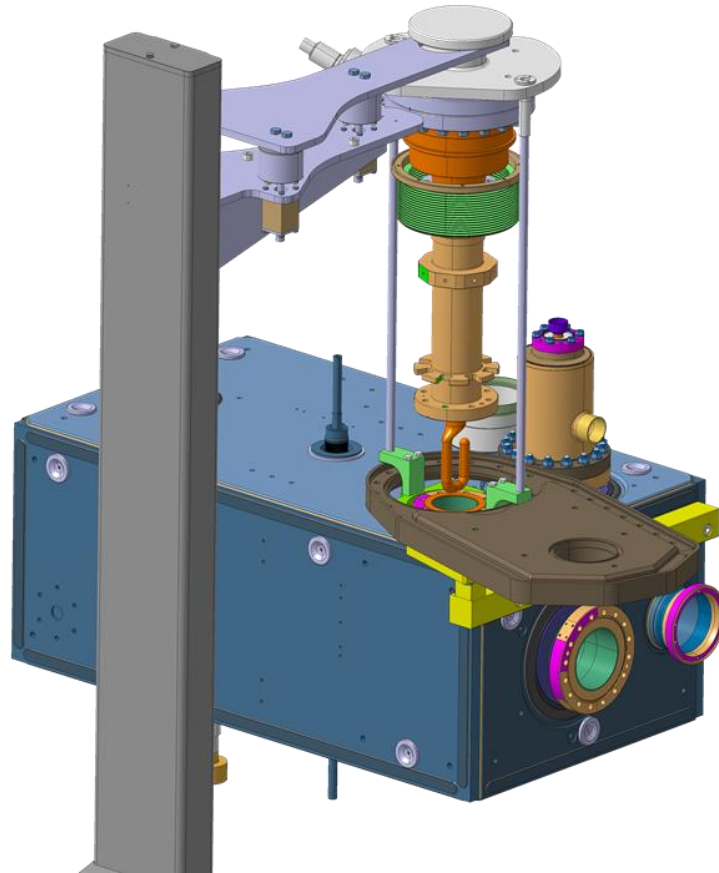
Step
7/12



Being finalised

Beginning of descent for the FPC with guides

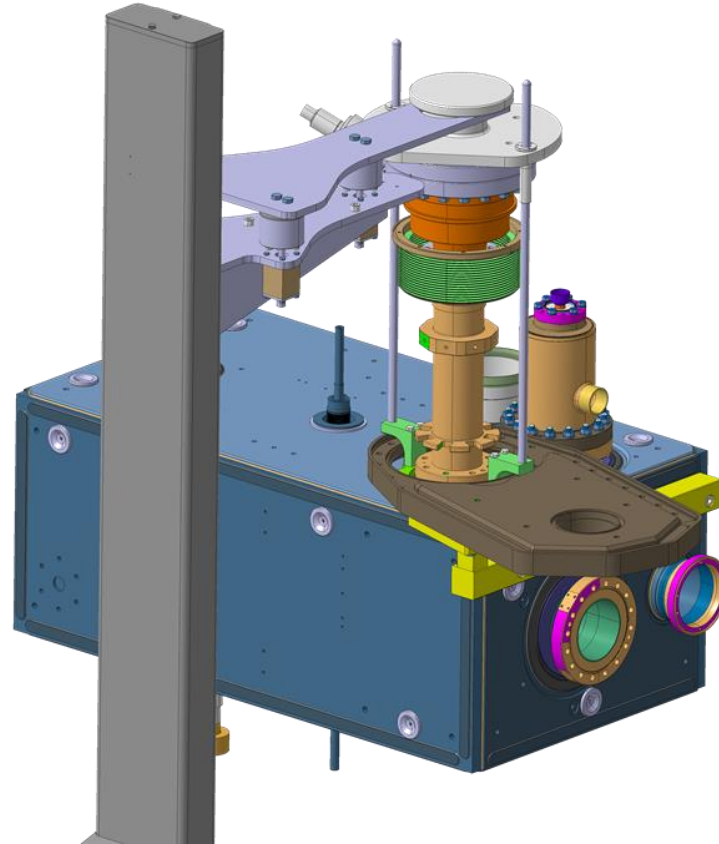
Step
8/12



Being finalised

FPC at is final position

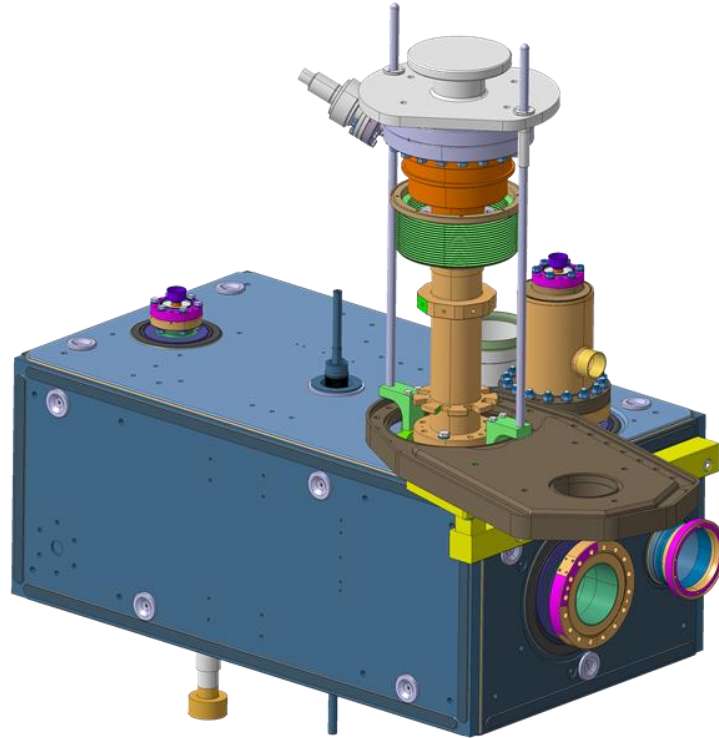
Step
9/12



Being finalised

Adding two screws, removing the lifter

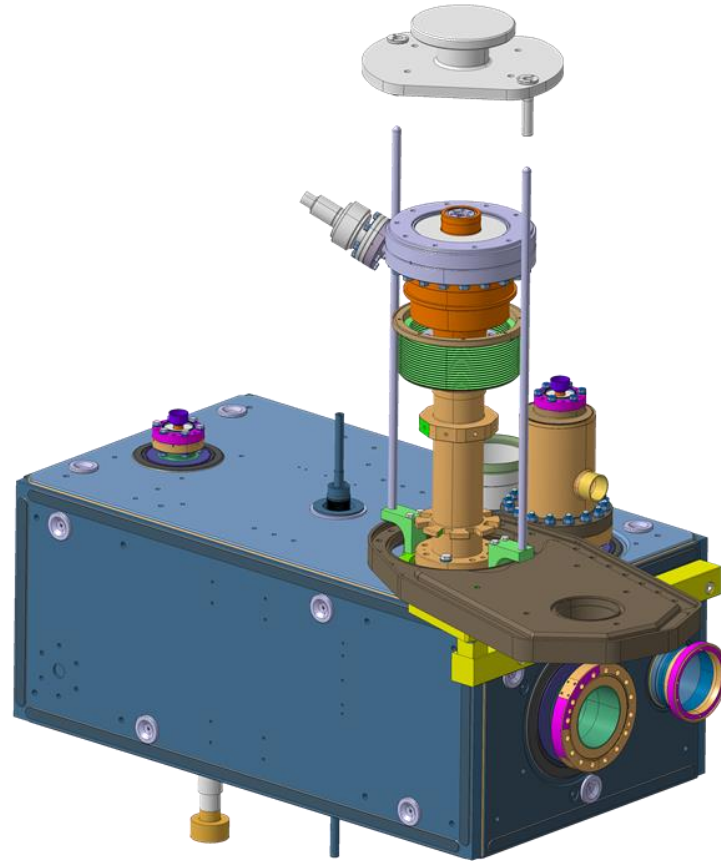
Step
10/12



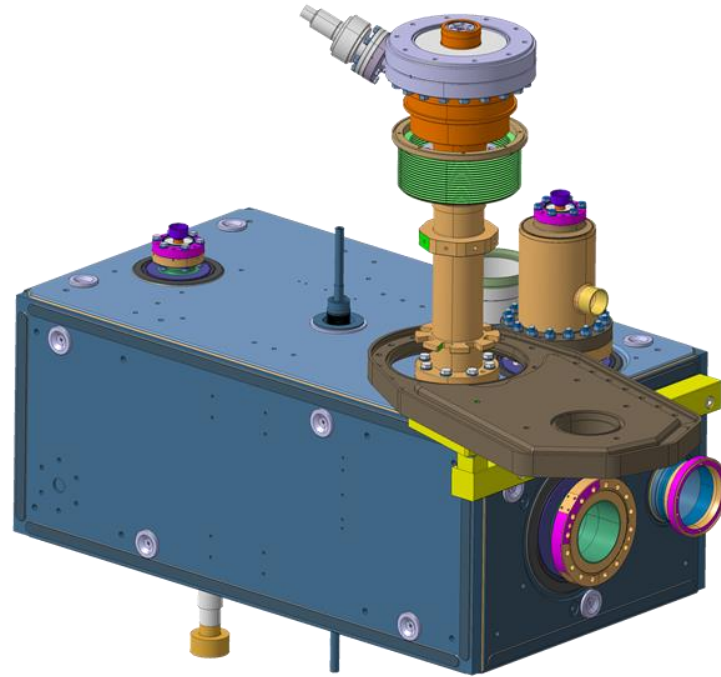
Being finalised

Removing tooling

Step
11/12



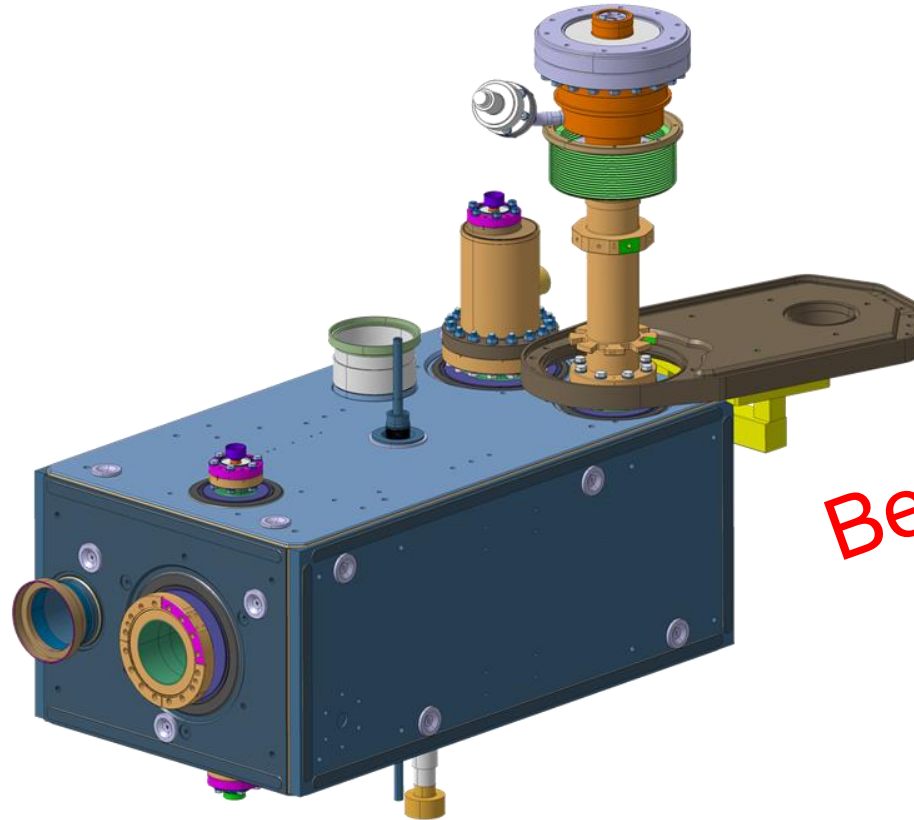
Being finalised



Being finalised

Not in clean room for the next 9 steps

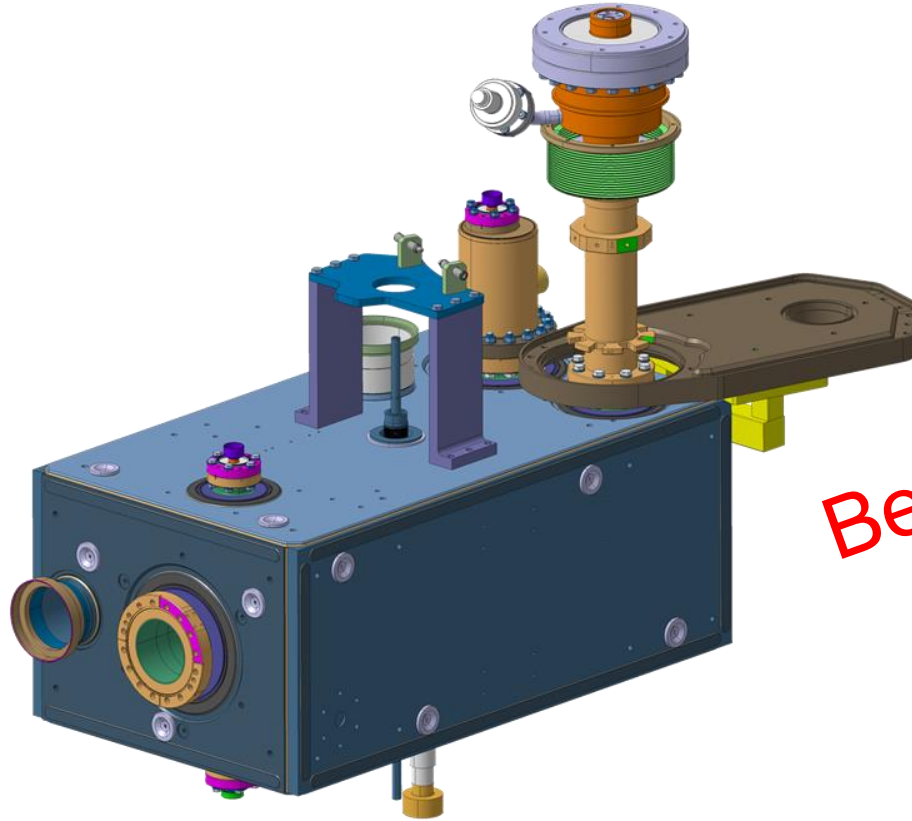
Step
1/9



Being finalised

Adding tooling

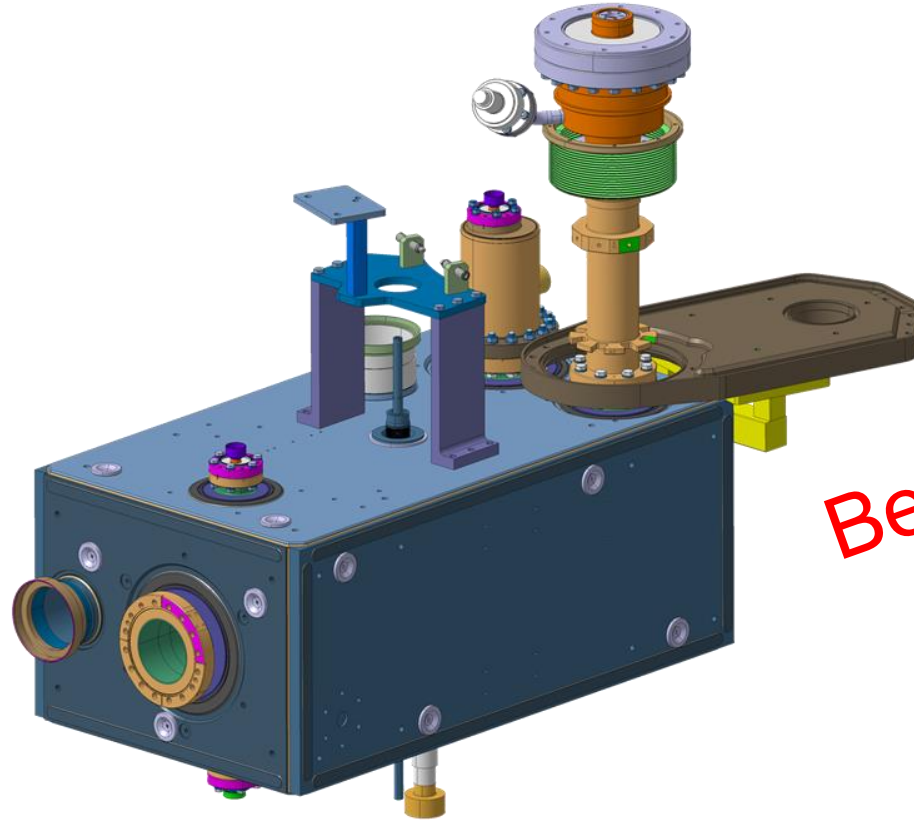
Step
2/9



Being finalised

Adding temporary support

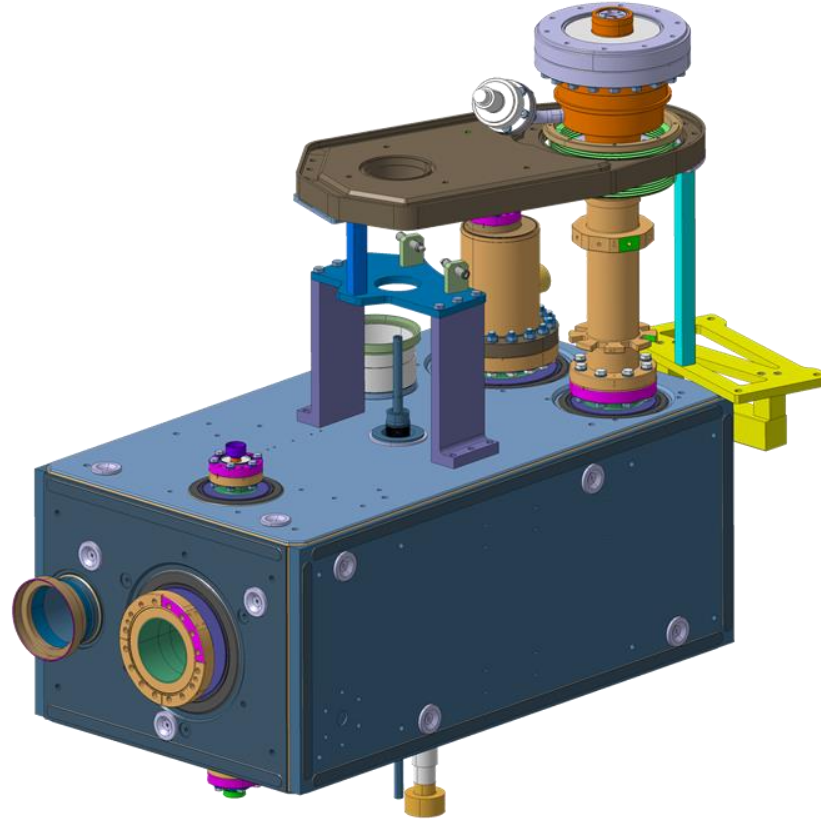
Step
3/9



Being finalised

Lift the plate by hands or overhead crane, adding a second temporary support

Step
4/9

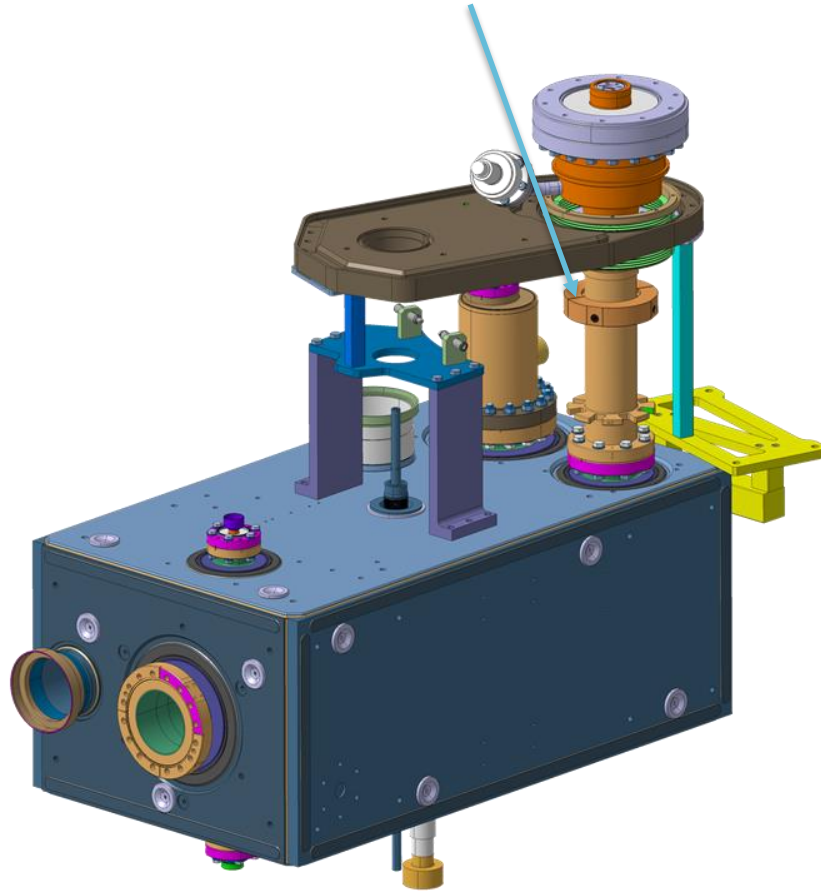


Being finalised

4 persons needed
for this operation

Adding protection for double tube

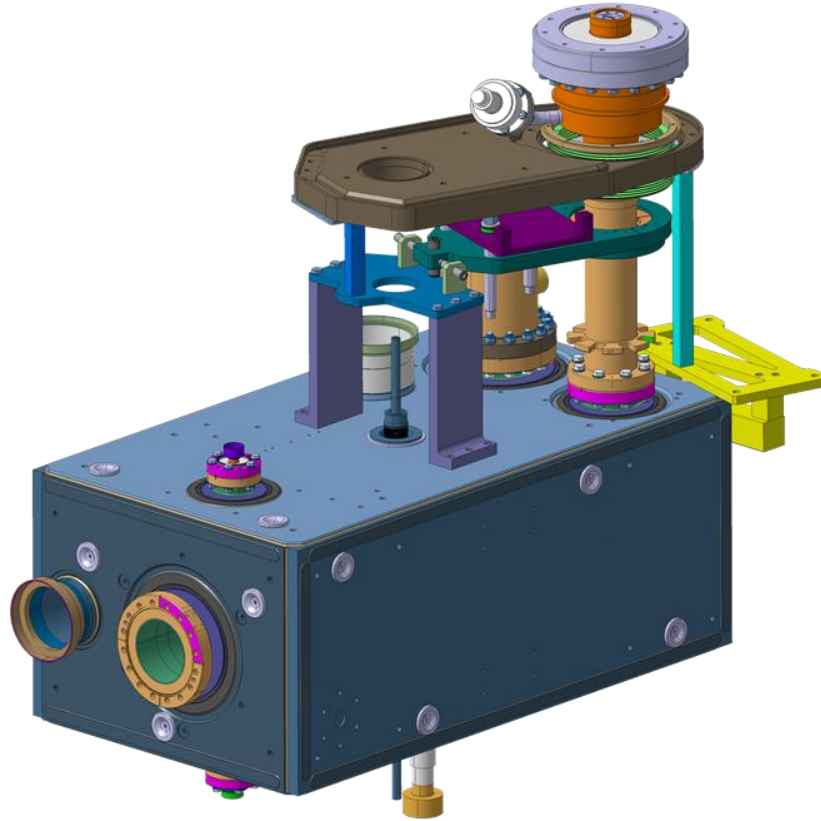
Step
5/9



Being finalised

Adding tooling

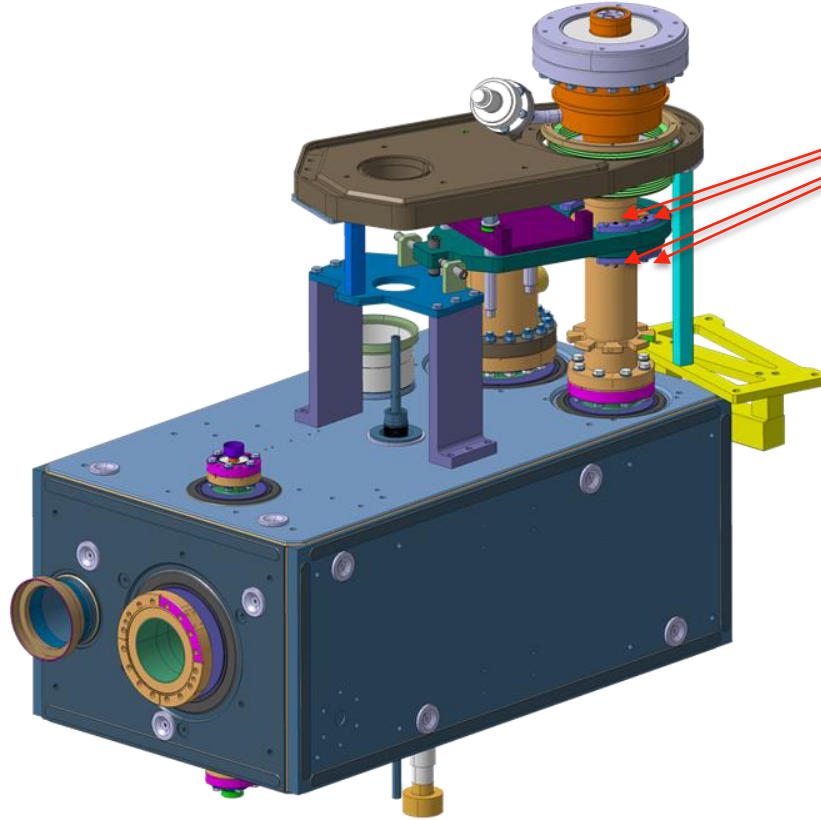
Step
6/9



Being finalised

Rotation guaranteed by screws
with ball

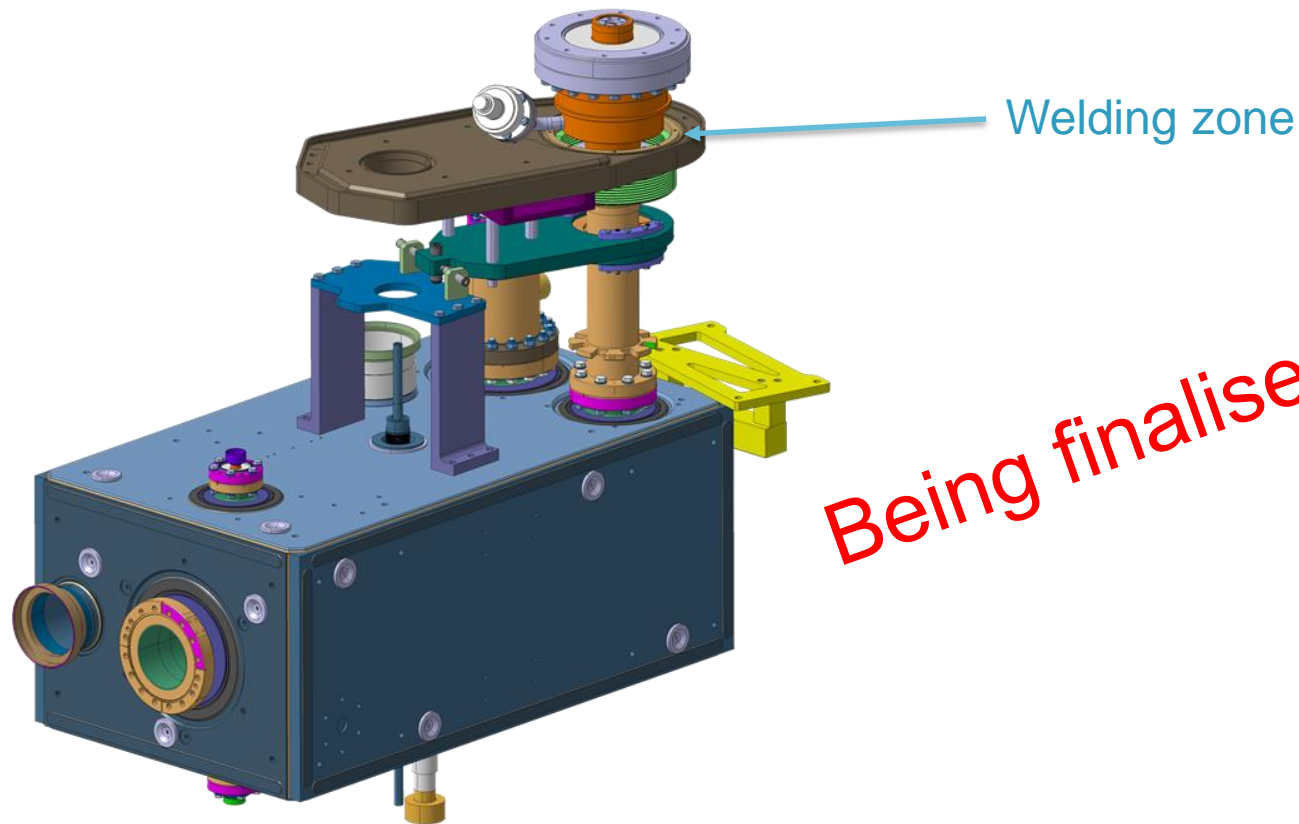
Step
7/9



Being finalised

Ready for positioning adjustments
and welding

Step
8/9



Being finalised

Removing the tooling (before/after installation of cryomodule?)

To be discussed...