

Fig. 1. Simplified front-end schematic.

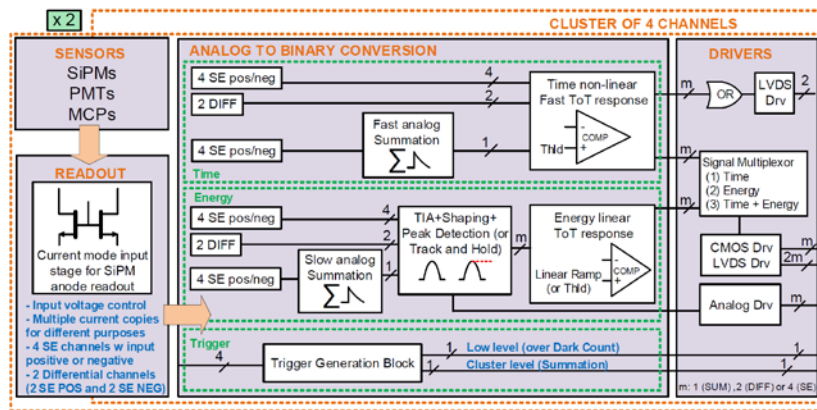


Fig. 2. Functional block diagram of the FastIC ASIC.

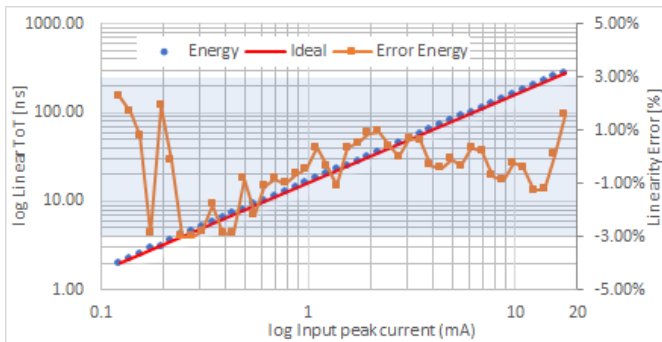


Fig. 3. Measured linearity error with preset configuration.

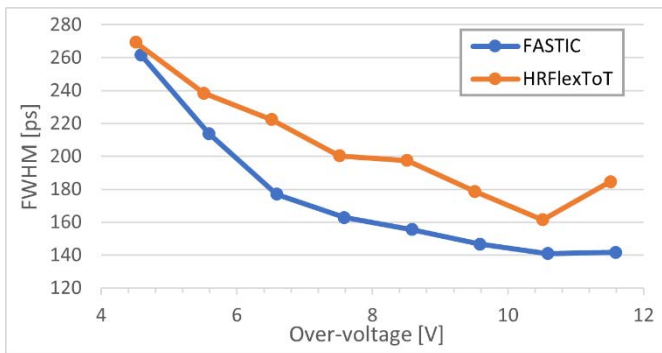


Fig. 4. SPTT comparison between the FastIC and the HRFlexToT. Sensor used: Hamamatsu SiPM S13360-3050CS (3 x 3 mm² pixel, 50 μm cell).