

RD51 –WG7

Next test beam in October

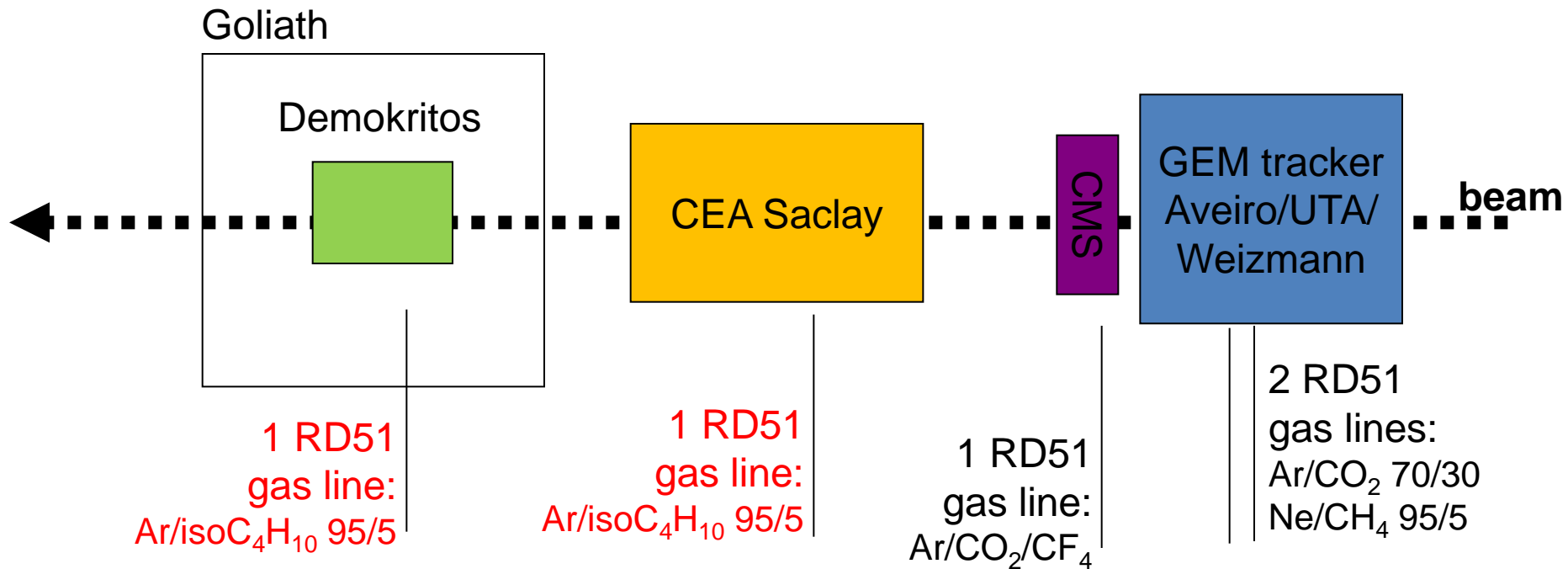
Matteo Alfonsi (CERN)

Next test beam in October

Tue	Wed	Thu	Fri	Sat	Sun	Mon	Tue	Wed	Thu	Fri	Sat	Sun	Mon	Tue	Wed	Thu	Fri	Sat	Sun	Mon	Tue	Wed	Thu	Fri	Sat	Sun	Mon	Tue
5	6	7	8	9	10	11	12	13	14	15	16	17	18	19	20	21	22	23	24	25	26	27	28	29	30	31	1	2
Oct	Oct	Oct	Oct	Oct	Oct	Nov	Oct	Oct	Oct	Oct	Oct	Oct	Nov	Oct	Oct	Oct	Oct	Oct	Oct	Nov	Oct	Oct	Oct	Oct	Nov	Nov	Nov	Nov
824										818										8	8							
THU MD										THU MD										BIG MD					W			
NA61	8h Z Fodor								NA61	NA61	8h A Malinin								CREA									
phys									phys	phys									H2									
SRPC	8h CMS-ECAL				8h LHCf				8h RD51				8h RD51				8h ALICE-VHMPID				8h							
	A Singovski				Y Itow				M Alfonsi				A di Mauro				A c											
SiLC		EUDET		8h CMOSiLC				8h OSiLC				8h MEGAS				8h AIBL												
H6B		H6B		Winter / HW				H6A/B				H Wilkens				H6A/B												
TOTEM		8h ATLAS-3DSi				8h DREAM				8h ATLAS-STG																		
						Wigmans				H Wilkens																		

- 10.5 effective days from October 18th to 29th
- LHCf will run parasitically with us, and they could ask for one more day
- Many people would prefer dismounting on the small MD of Thursday 28th, we could give such a day to LHCf..

Period 3 (October 18th to 29th)



- Magnet and flammable gas

The filled ISIEC form

- You can find the ISIEC form to be filled attached in the agenda.
- Please send the filled ISIEC to:

Yorgos Tsipolitis yorgos@central.ntua.gr

Matteo Alfonsi matteo.alfonsi@cern.ch

by next Tuesday (IT IS URGENT!)