



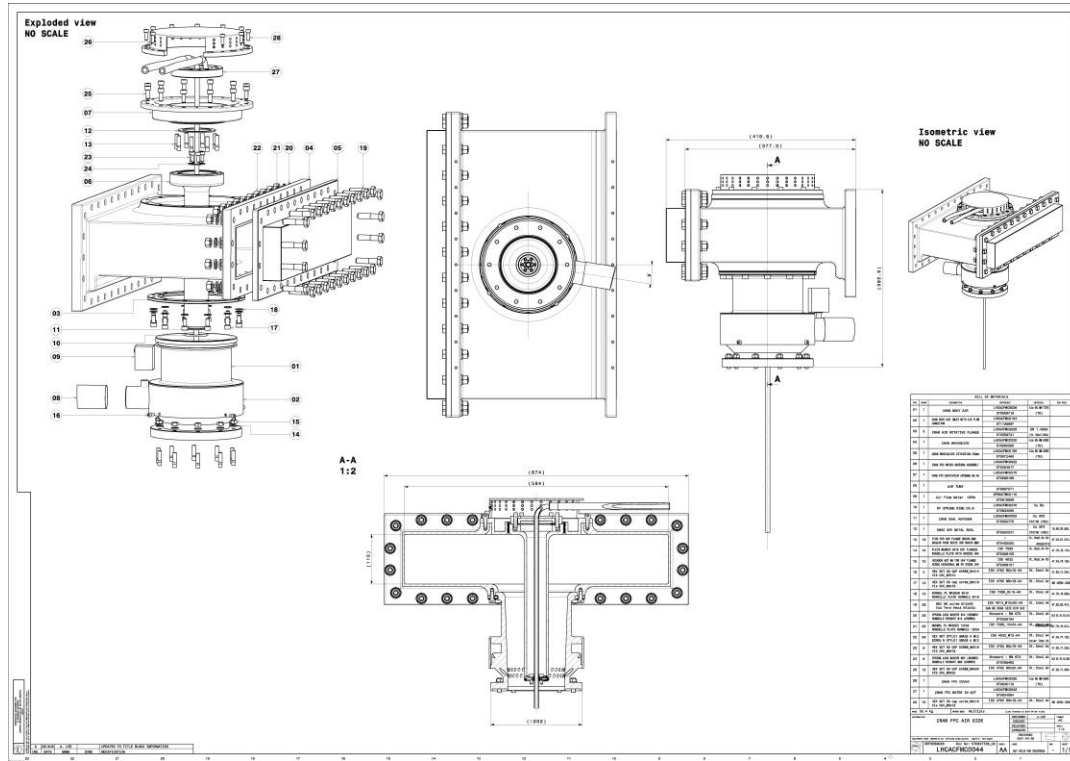
# Crab FPC construction quantity

[Antoine.boucherie@cern.ch](mailto:Antoine.boucherie@cern.ch) on behalf of SY-RF-AC

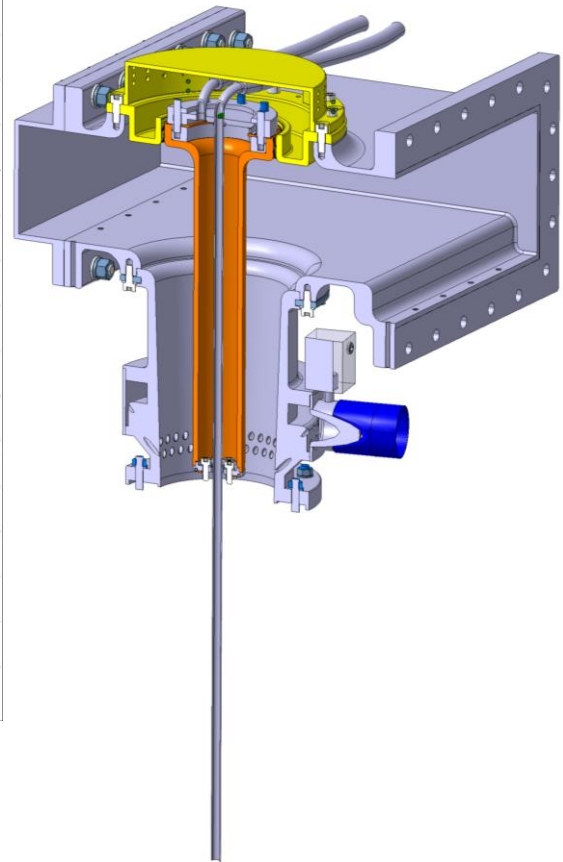


07/05/2021

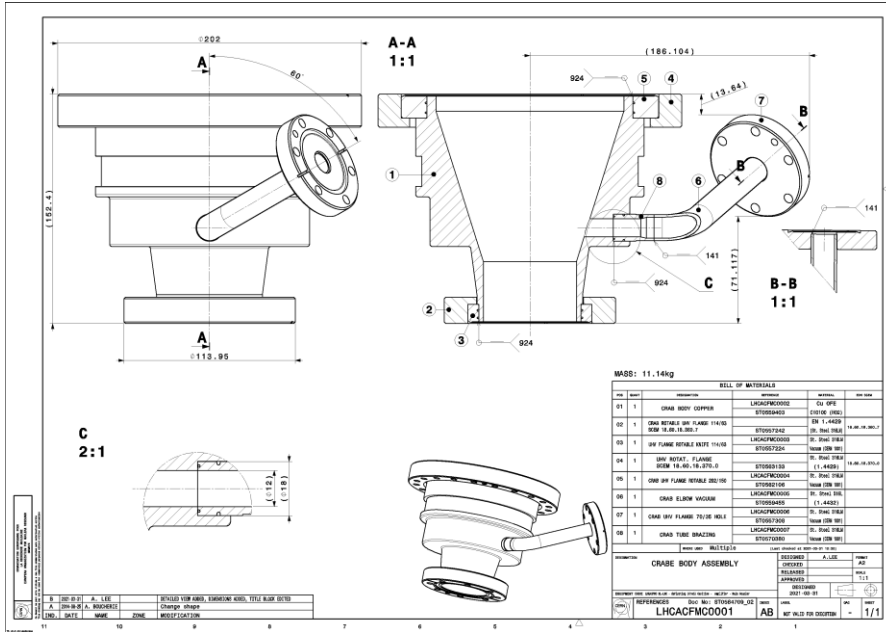
# CRAB FPC AIR SIDE



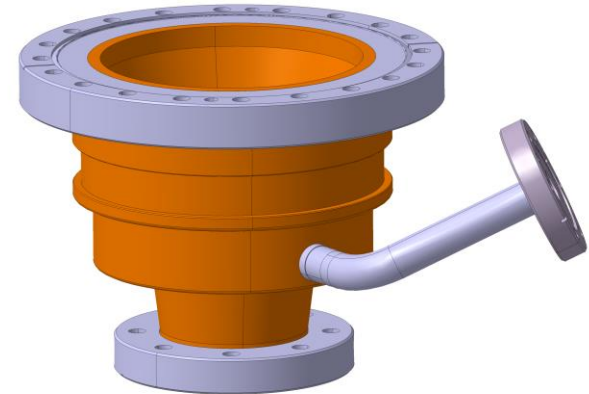
22 x LHCACFMC0044



# CRAB FPC VACUUM SIDE

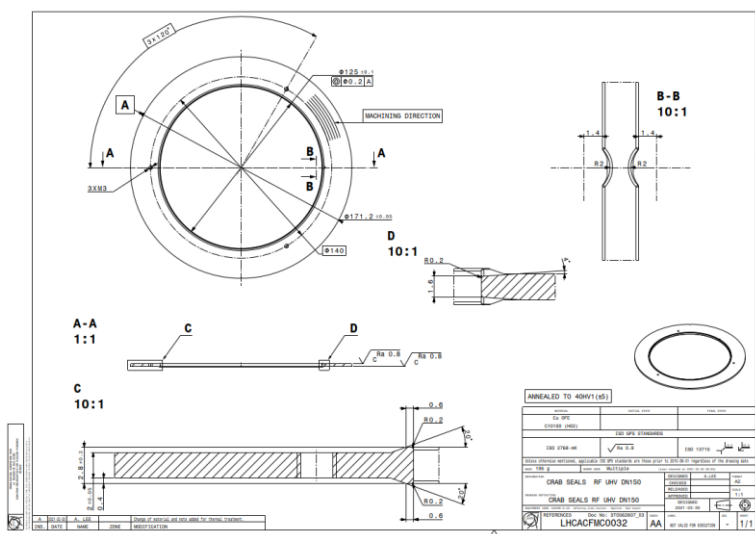


Body assembly

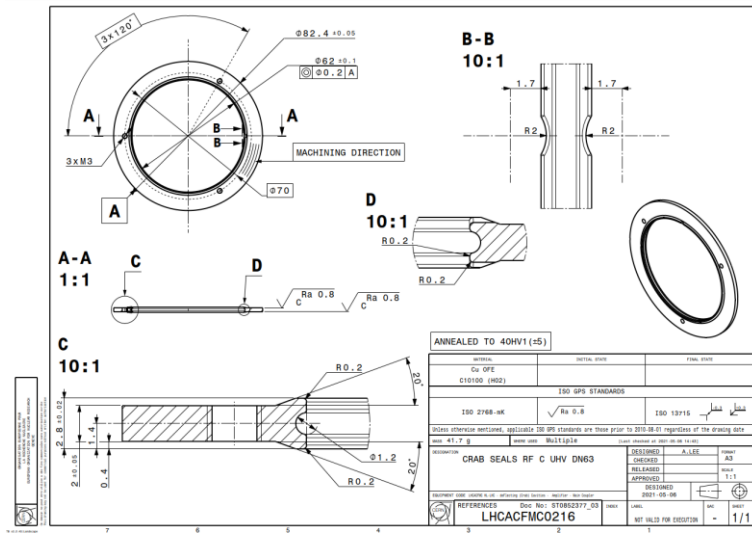
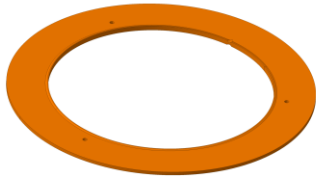


24 x LHCACFMC0001

# CRAB FPC VACUUM SIDE RF SEAL



150 x LHCACFMC0032

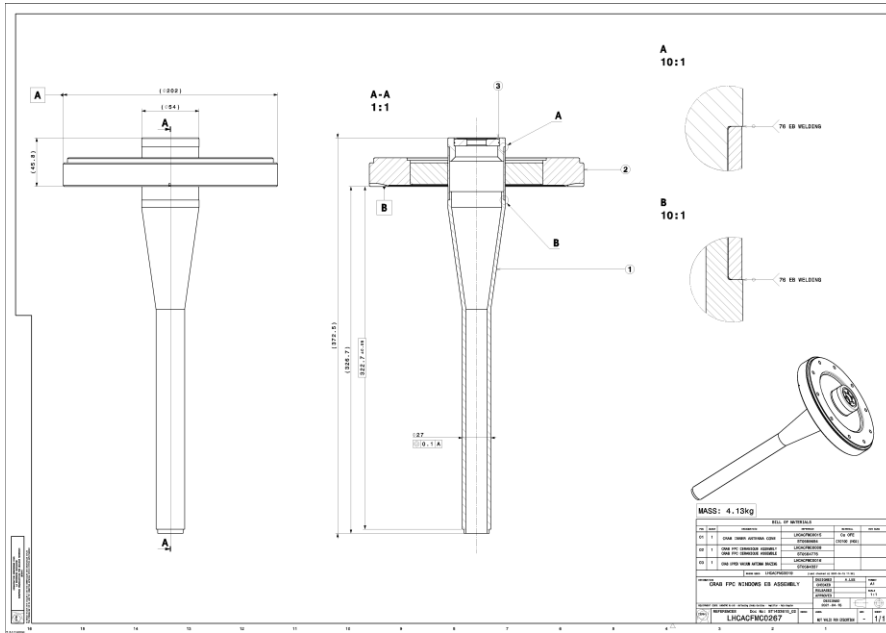


150 x LHCACFMC0216



# CRAB FPC VACUUM SIDE

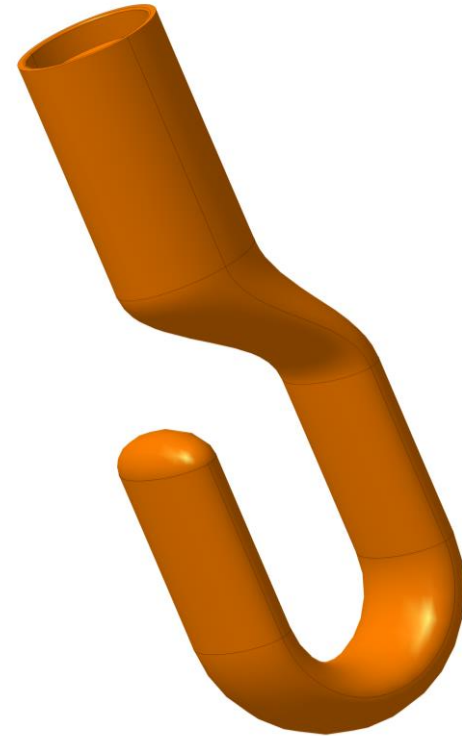
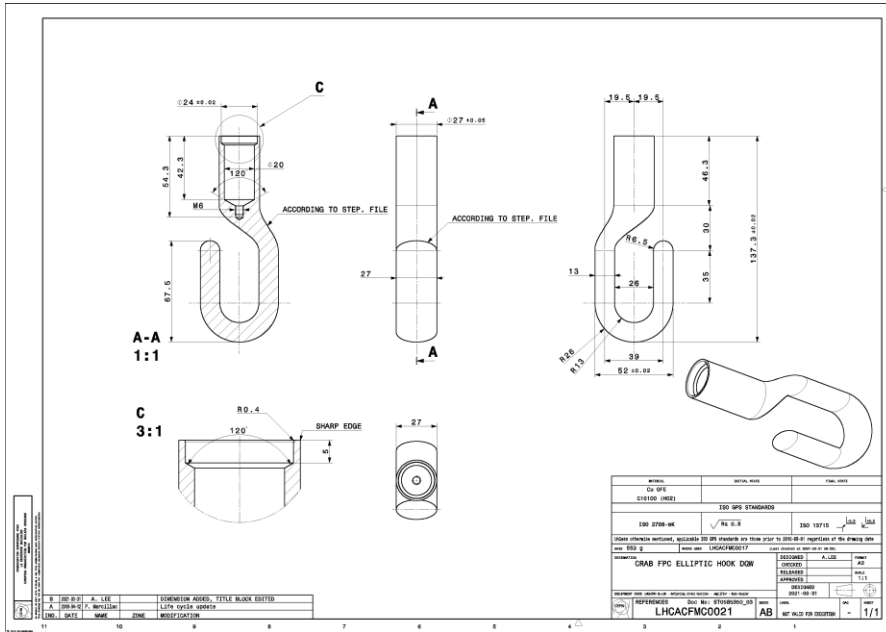
CRAB FPC WINDOWS EB ASSEMBLY



32 x LHCACFMC0267

# CRAB DQW FPC VACUUM SIDE

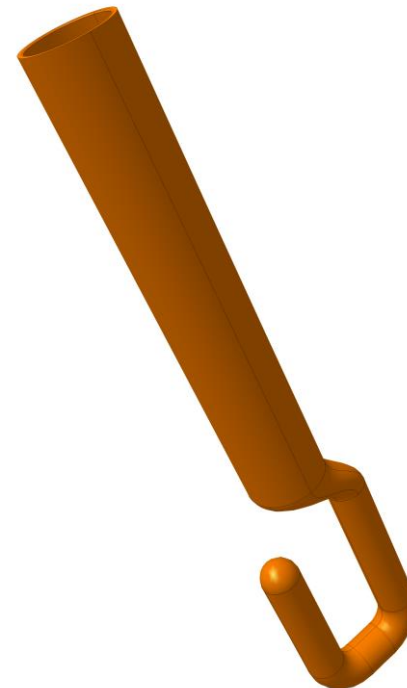
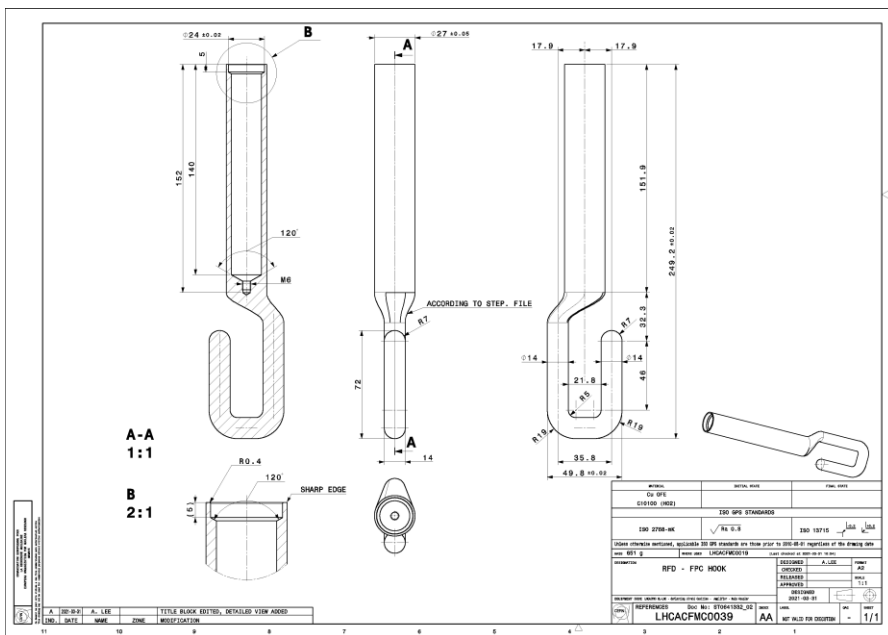
CRAB FPC Elliptic Hook BNL Full



12 x LHCACFMC0021

# CRAB RFD FPC VACUUM SIDE

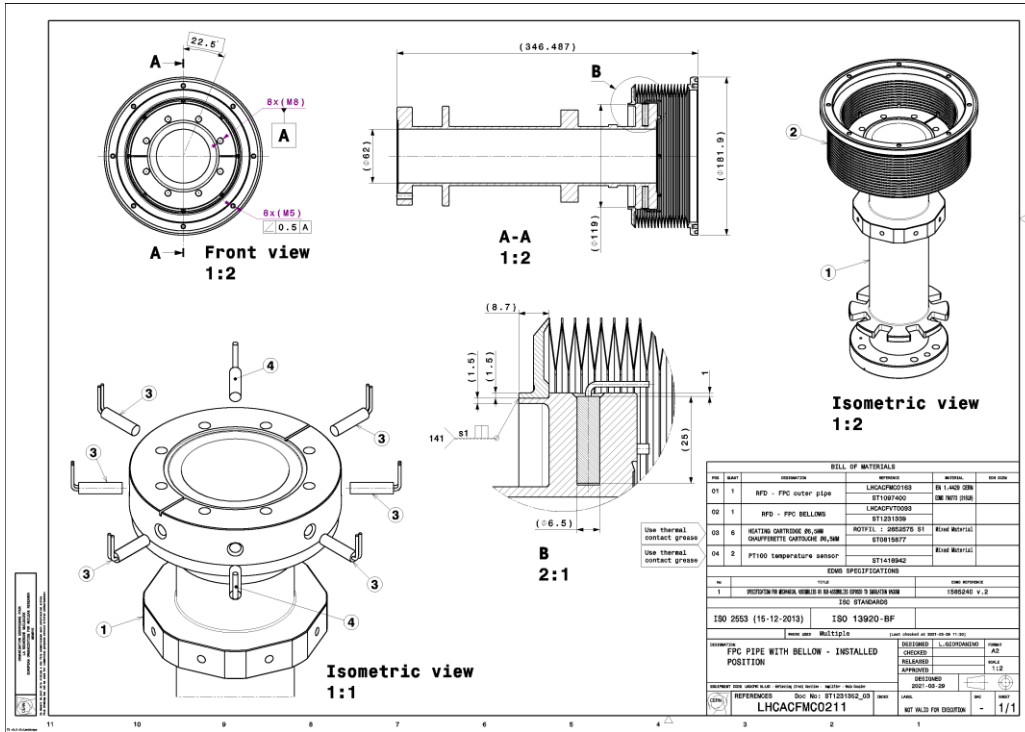
RFD - FPC HOOK



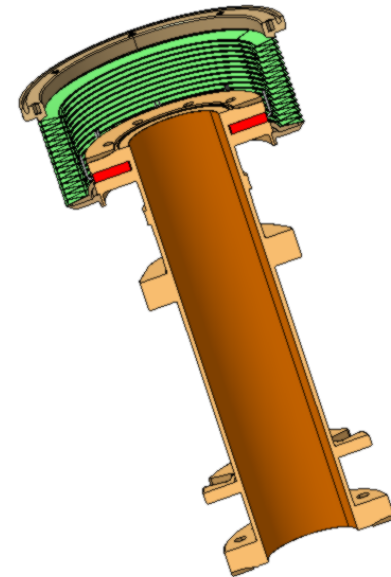
[12 x LHCACFMC0039](#)

# CRAB RFD FPC VACUUM SIDE

RFD FPC PIPE WITH BELLOW - INSTALLED POSITION



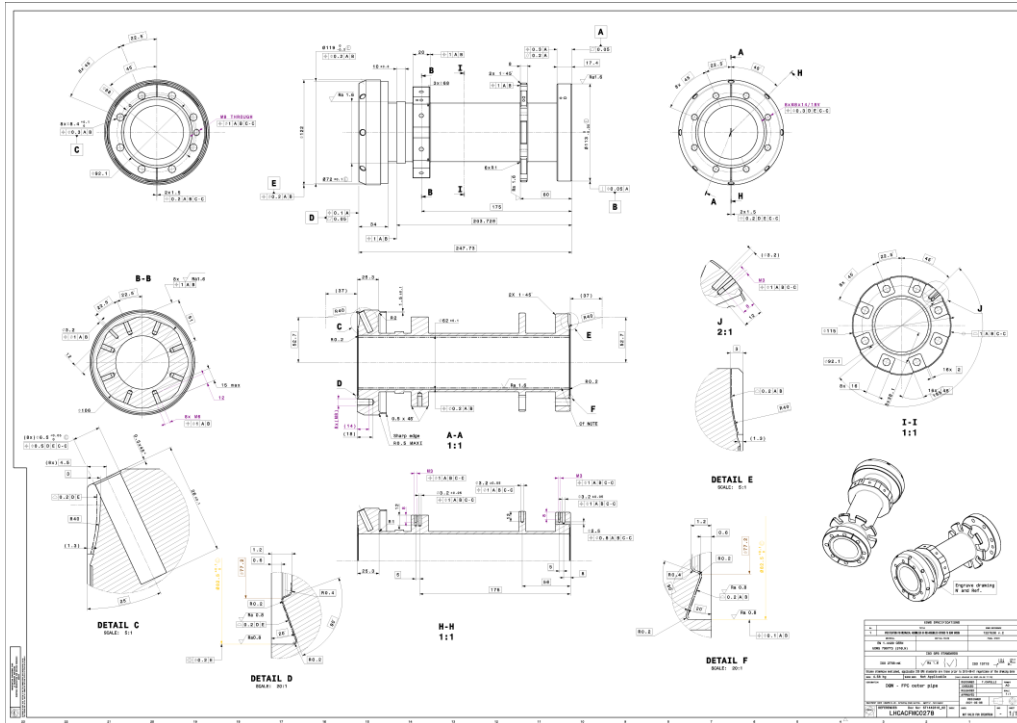
14 x LHCACFM0211





# CRAB DQW FPC VACUUM SIDE

DQW FPC PIPE WITH BELLOW - INSTALLED POSITION



14 x LHCACFMC0278 (Plan préliminaire)

