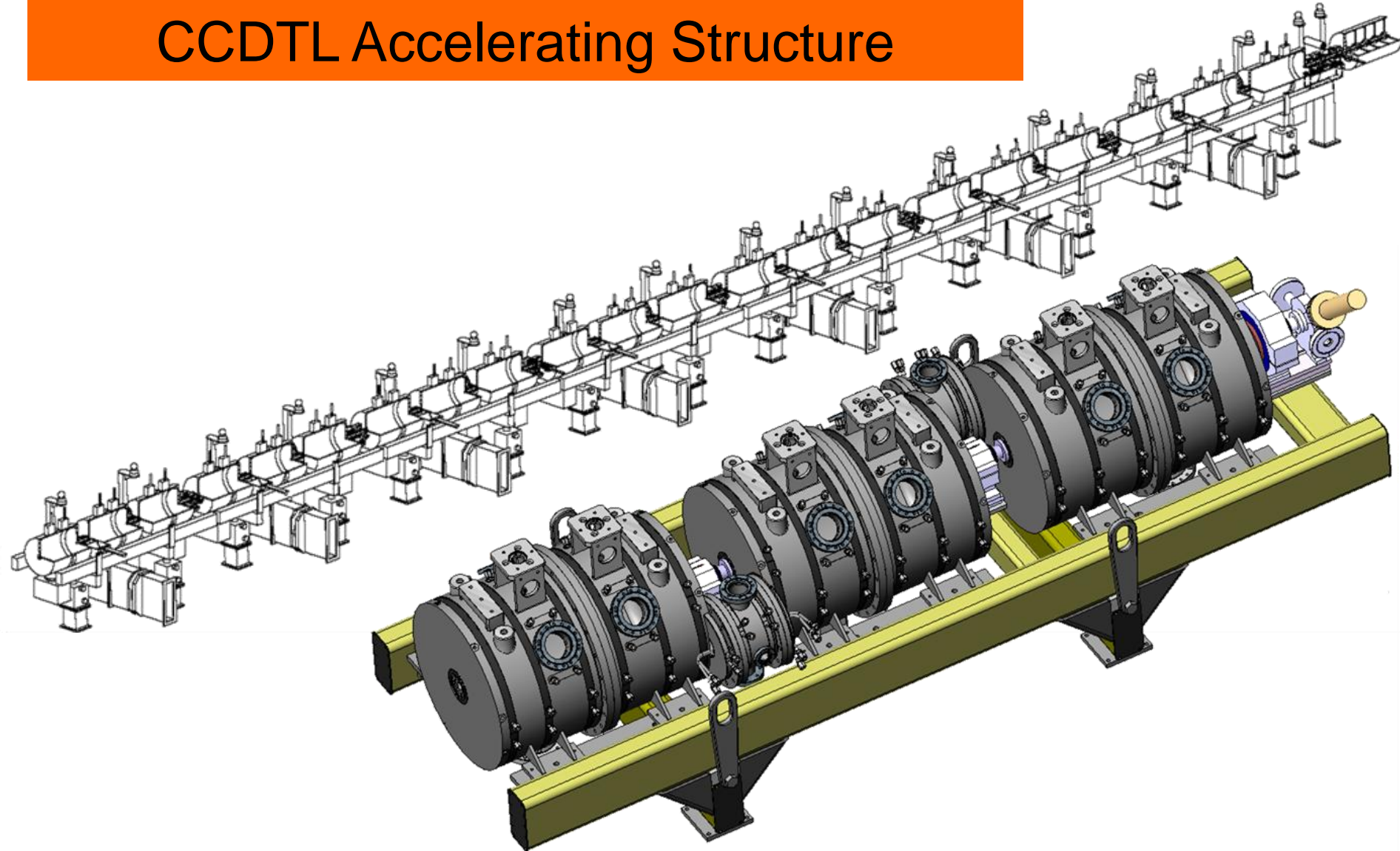


LINAC 4

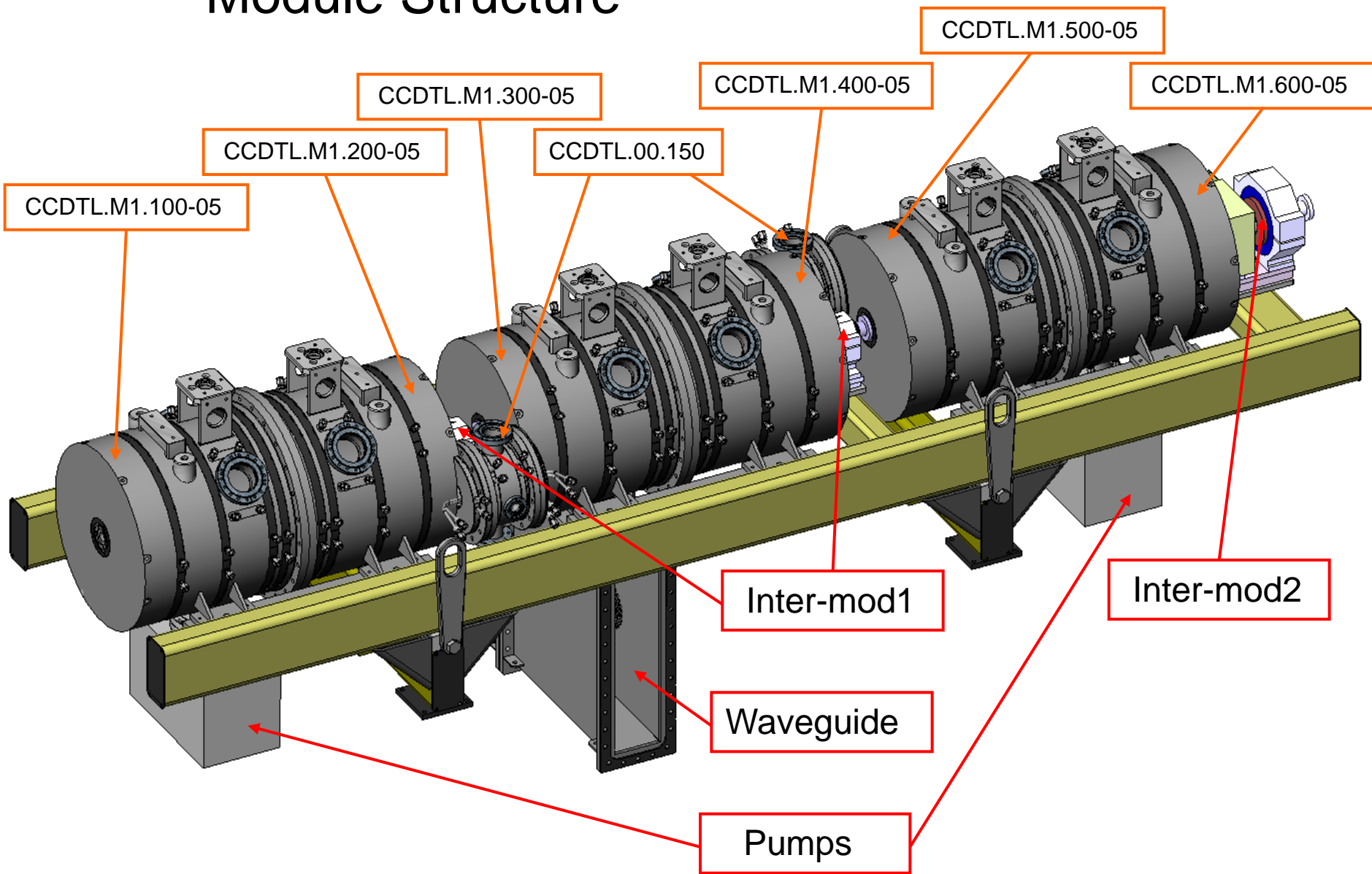


CCDTL Accelerating Structure

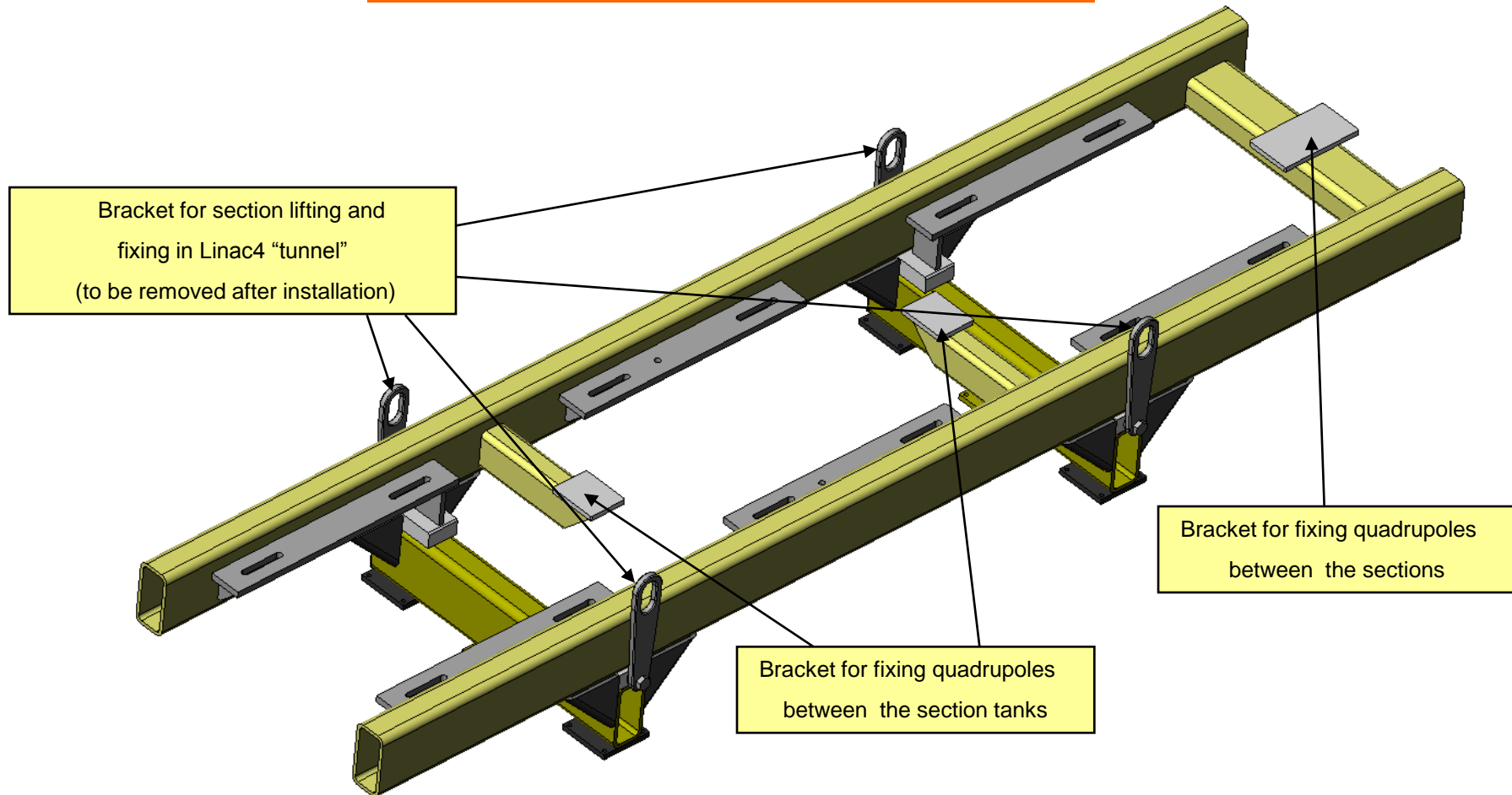


Next to Last Module of CCDTL Accelerating Structure

Module Structure



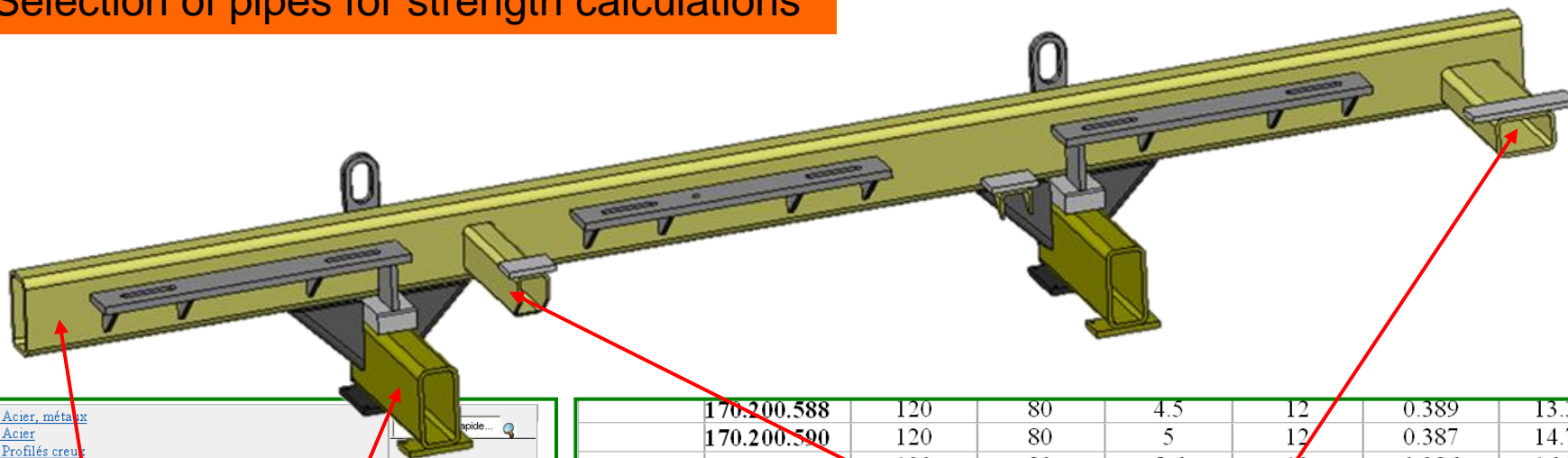
Design of the New Support Frame



By agreement with CERN, only the imported pipe profiles will be used.

All brackets for quadrupoles are fabricated as integral part of the frame by welding.

Selection of pipes for strength calculations



» Acier, métaux
» Acier
» Profilés creux

170.200 Profilé creux

- S355J2H
- laminé à chaud
- rectangulaire

EN 10210: 2006
eClass 5.1 35-01-01-90

Liste de dimensions

No d'article	a mm	b mm	t mm	L m	surface m ² /m	kg/m	CHF/m
170.201.055	200	100	11	12	0.573	47.000	227.00
170.201.058	200	100	12.5	12	0.568	52.700	246.00
170.201.060	200	100	14.2	12	0.565	58.900	294.00
170.201.062	200	100	16	12	0.559	65.200	322.00
170.201.064	200	100	17.5	12	0.556	70.200	349.00

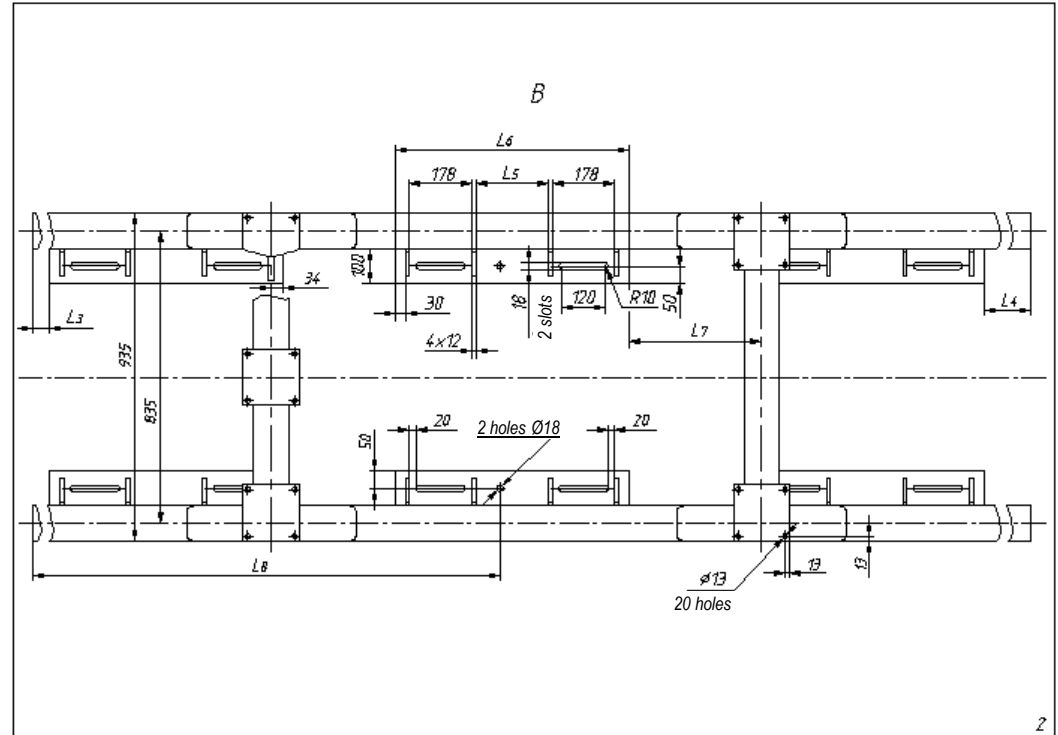
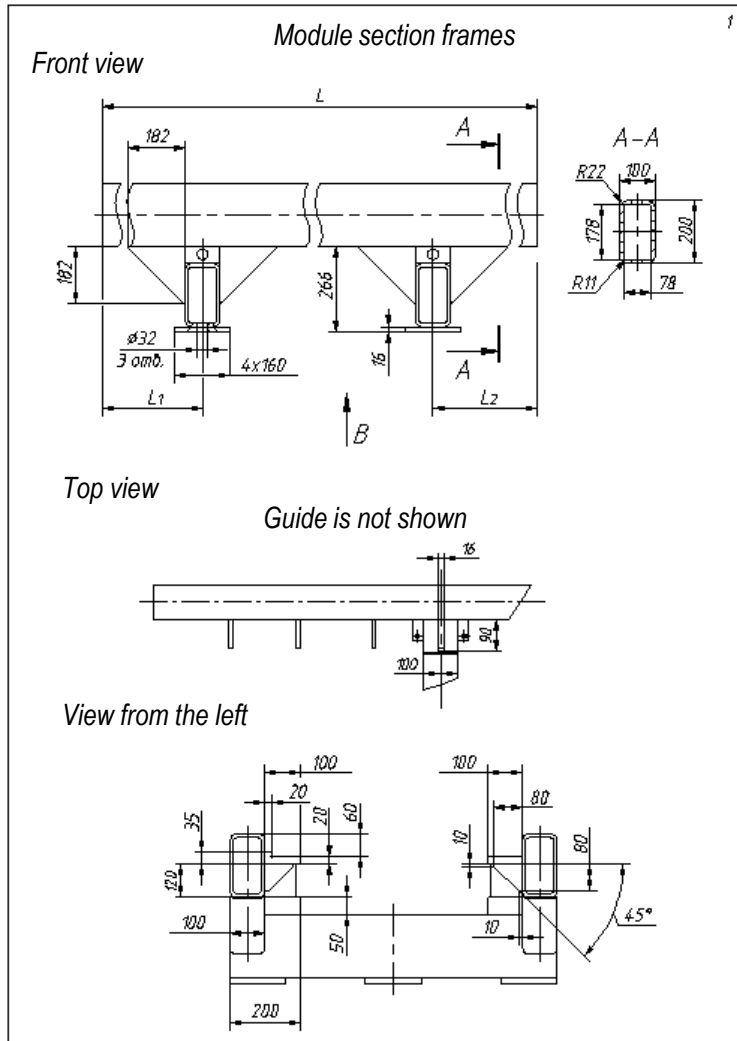
Search[Clear] Page 0 of 3 15 articles 31 - 35 of 35

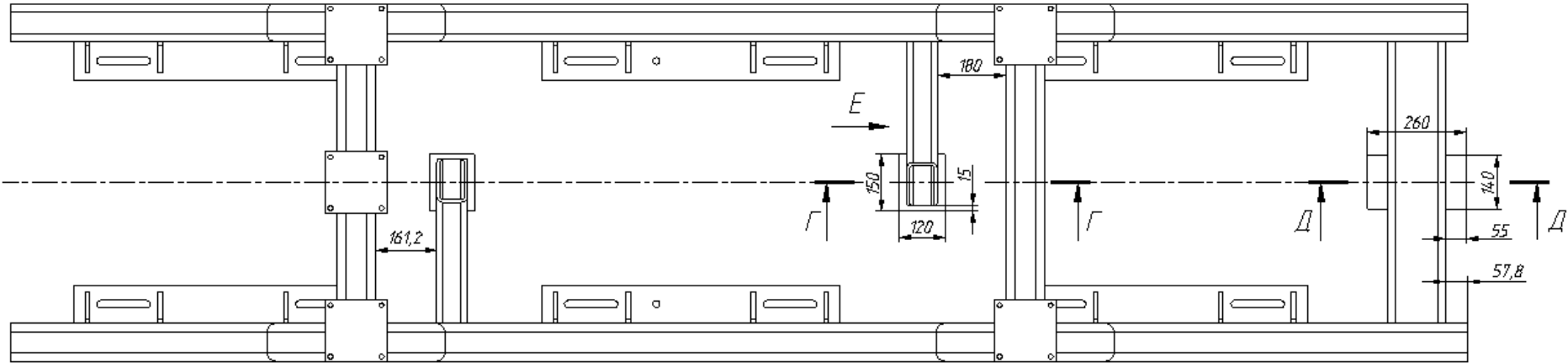
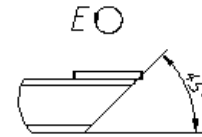
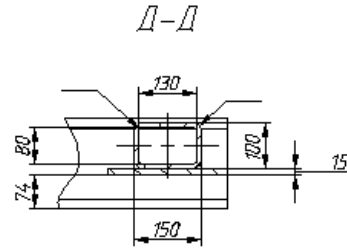
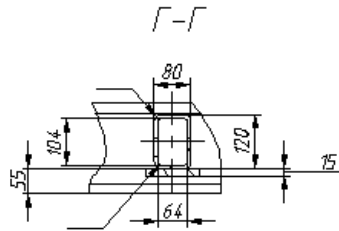
Les prix ont valeur indicative, sans engagement. Livraisons uniquement en Suisse et au Liechtenstein

170.200.588	120	80	4.5	12	0.389	13.300
170.200.590	120	80	5	12	0.387	14.700
170.200.592	120	80	5.6	12	0.386	16.300
170.200.600	120	80	6.3	12	0.384	18.200
170.200.602	120	80	7.1	12	0.382	20.300
170.200.610	120	80	8	12	0.379	22.600
170.200.612	120	80	8.8	12	0.378	24.500
170.200.620	120	80	10	12	0.374	27.400
170.200.622	120	80	11	12	0.373	29.700
170.200.624	120	80	12.5	12	0.369	33.000
170.200.626	120	80	14.2	12	0.365	36.600

170.200.771	150	100	7.1	12	0.482	25.900
170.200.773	150	100	8	12	0.479	28.900
170.200.774	150	100	8.8	12	0.478	31.500
170.200.775	150	100	10	12	0.474	35.300
170.200.776	150	100	11	12	0.473	38.400
170.200.778	150	100	12.5	12	0.468	42.800
170.200.779	150	100	14.2	12	0.465	47.700
170.200.781	150	100	16	12	0.460	52.600
170.200.803	160	80	4.5	12	0.469	16.100
170.200.804	160	80	5	12	0.467	17.800
170.200.805	160	80	5.6	12	0.466	19.900
170.200.807	160	80	6.3	12	0.464	22.200
170.200.808	160	80	7.1	12	0.462	24.700
170.200.809	160	80	8	12	0.459	27.600
170.200.811	160	80	8.8	12	0.458	30.100

Frame sizes



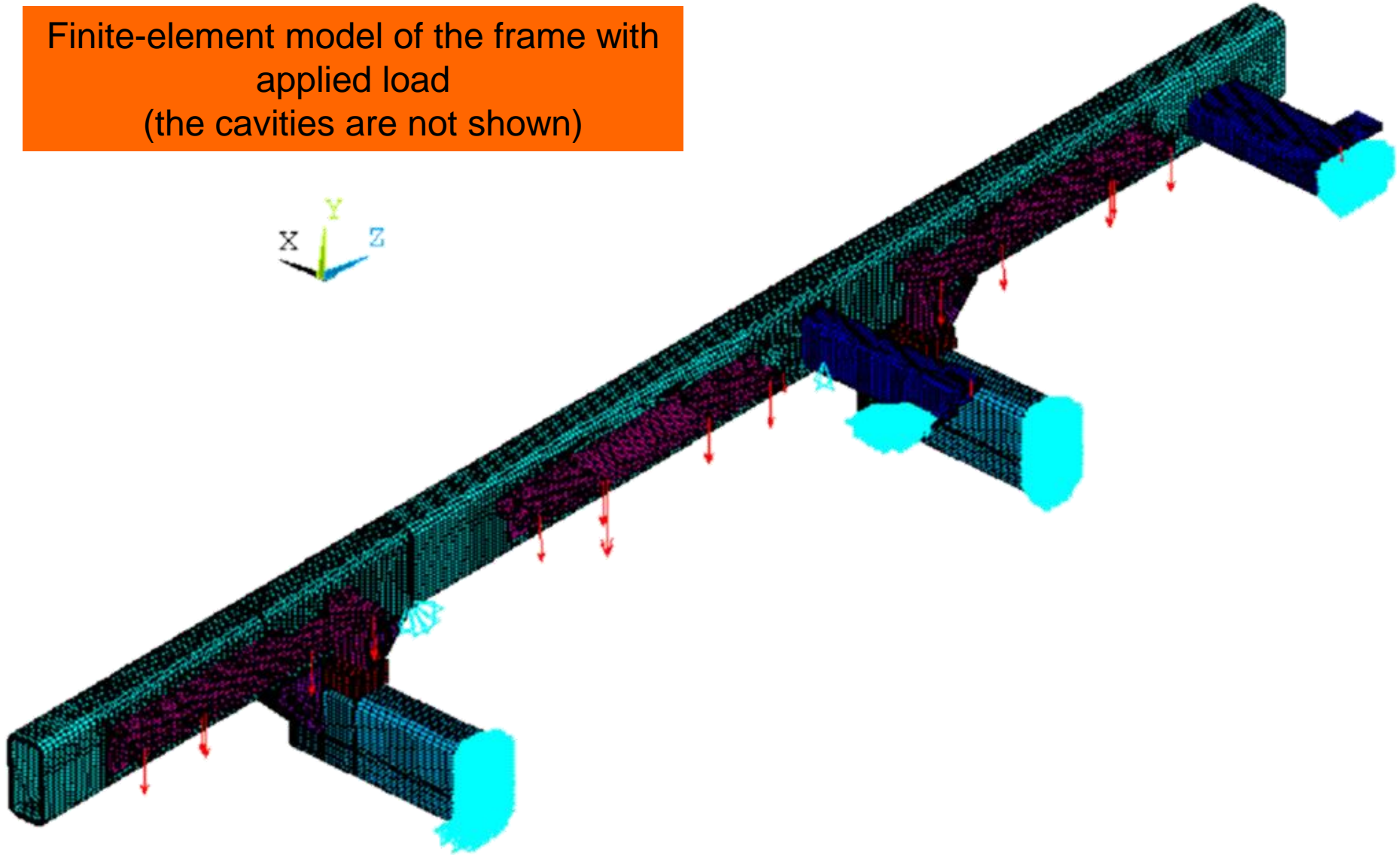
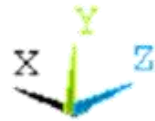


Designation	L, mm	L ₁ , mm	L ₂ , mm	L ₃ , mm	L ₄ , mm	L ₅ , mm	L ₆ , mm	L ₇ , mm	L ₈ , mm
CCDTL.M1.700									
-01									
-02									
-03									
-04									
-05	3808,9	902	1156,9	164	418,9	316	780	485	1687
-06									

See above

Calculation of Frame Deformation

Finite-element model of the frame with applied load
(the cavities are not shown)



Frame displacements
along Y axis (mm)

