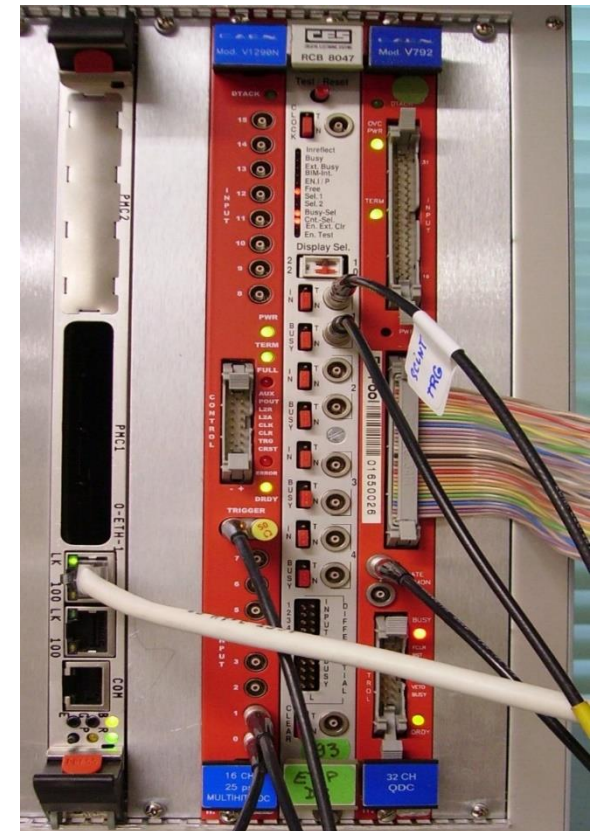
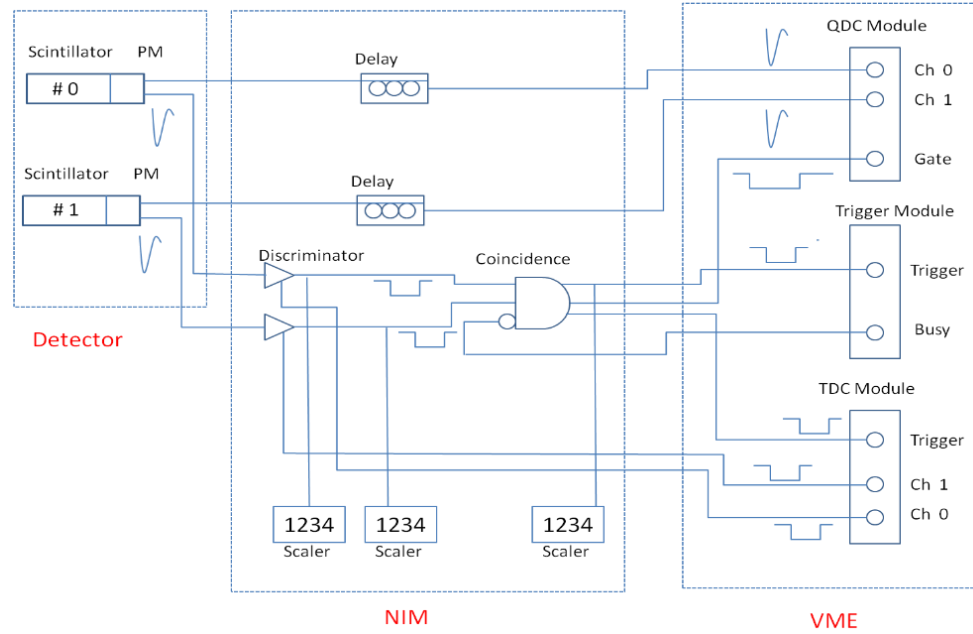
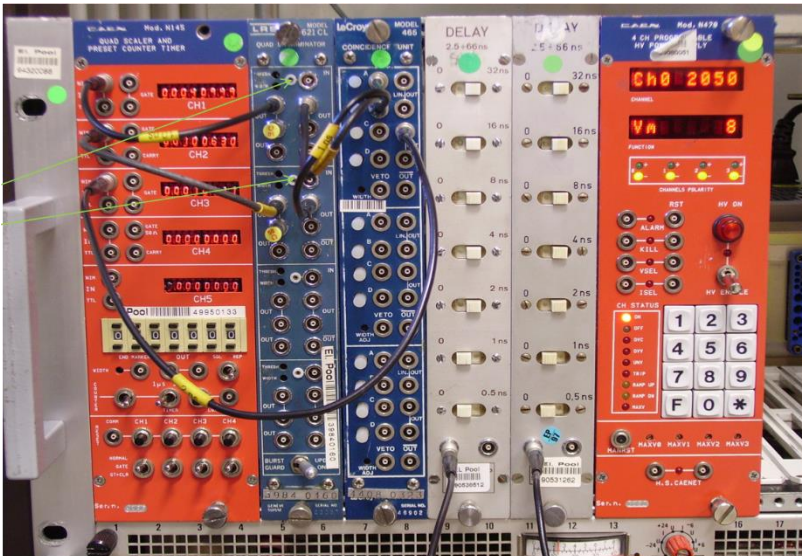
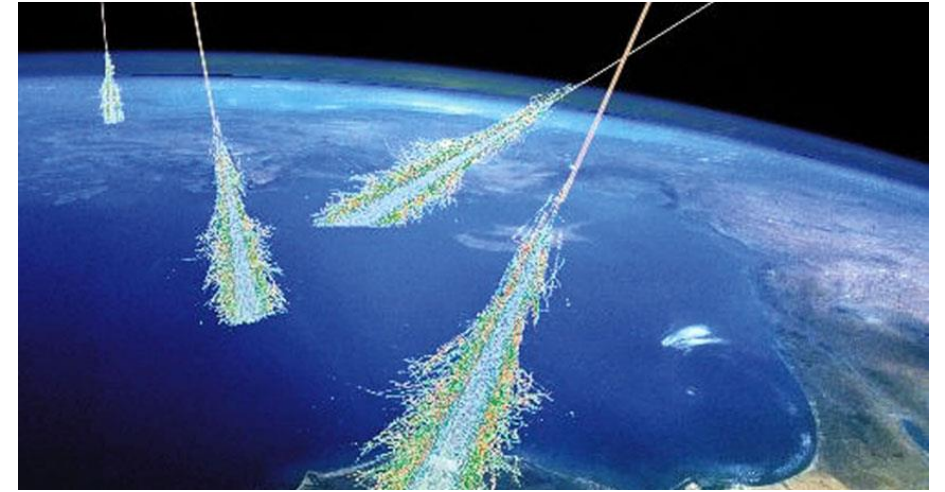


The 2021 BL4S playground



Seriously.....



What is it?

- There is a set of **detectors and electronics** modules that is very similar to what we have in the control room
 - But you can **play** with it (under my supervision)
 - Learn how the components of a **data acquisition system** work
 - Set up a **trigger**
 - Detect **cosmic muons**
 - Develop (if you have the energy) a simple **data acquisition system** yourselves
 - This includes some **C-programming** and reading technical documents
- There is also a competition and you can **win a prize**



How is it organized?

Opening hours: By appointment

Maximum occupancy: 4 students

Location: Building 26

Your priorities:

1. Data taking shifts
2. Data analysis
3. Having fun (e.g. sight seeing in Hamburg)
4. Coming to the playground

