



TCLPX – TCTPXH tooling

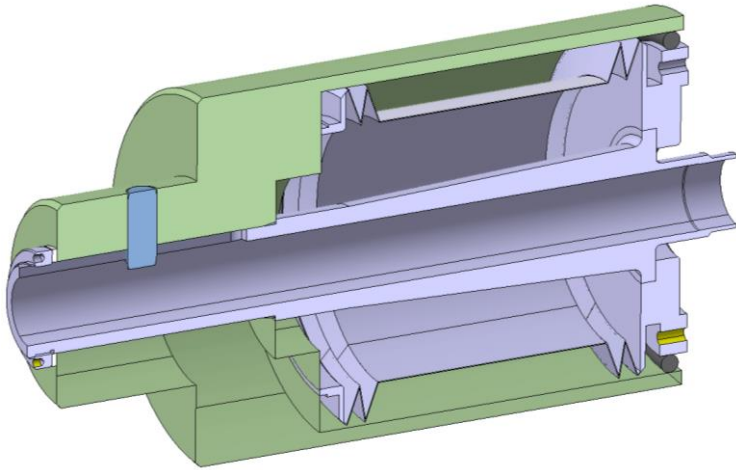
WP5.2 Technical meeting

L. Gentini

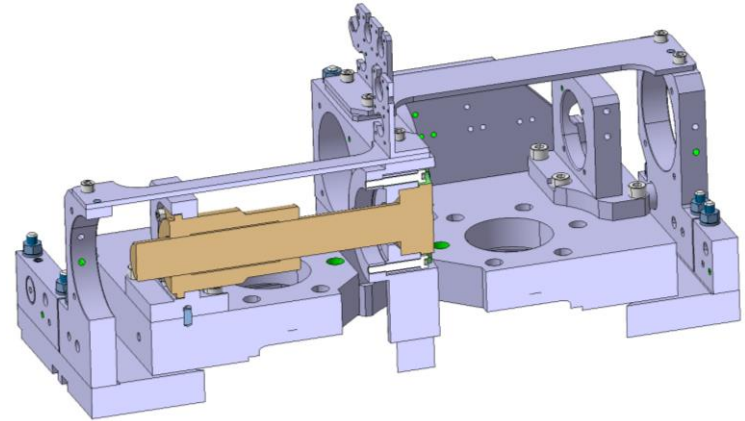


TOOLINGS FOR IR COLLIMATOR

LHCTC__X_T0001
BELLOW SURFACING FLANGE TOOLING

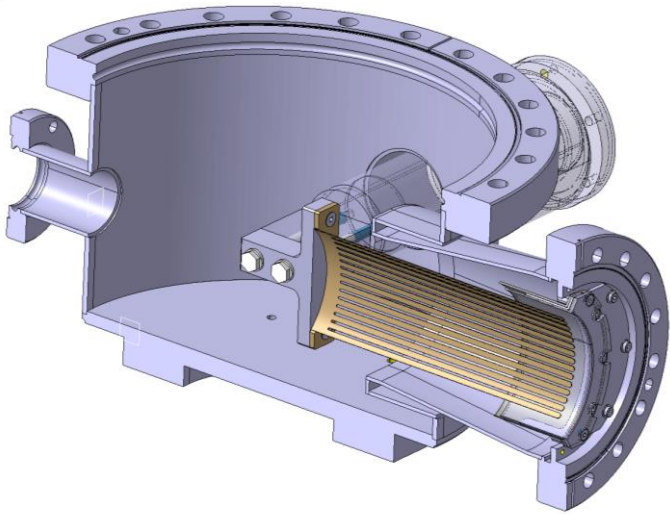


LHCTC__X_T0014
IR MECHANICAL TABLE ALIGNEMENT TOOL

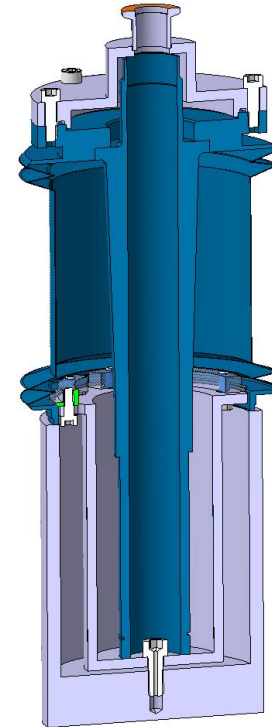


TOOLINGS FOR IR COLLIMATOR

LHCTCLPX_T0022
TCLPX RF FINGERS TEST STAND

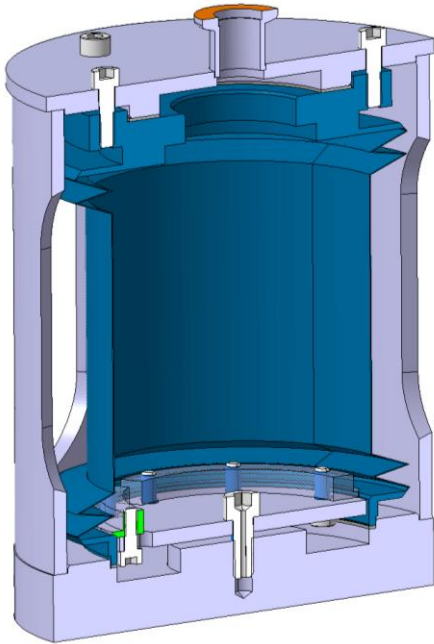


LHCTCLPX_T0032
TCLPX BELLOW/SHAFT VACUUM TEST - ASSEMBLY

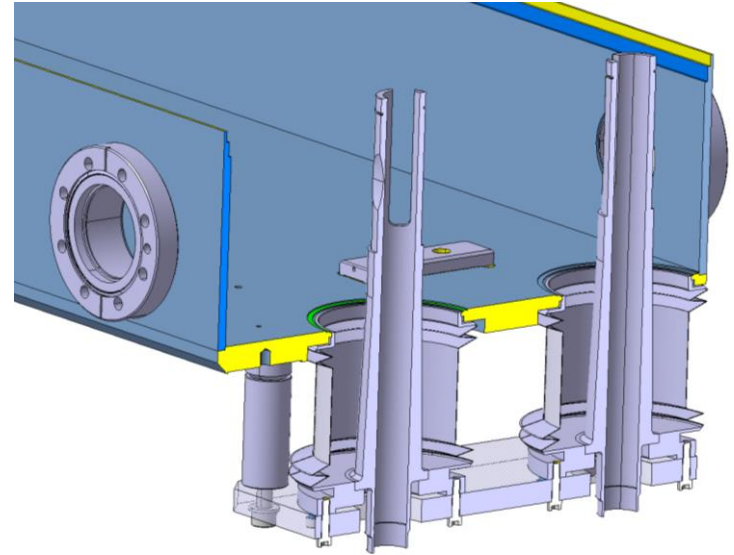


TOOLINGS FOR IR COLLIMATOR

LHCTCLPX_T0037
IR COLLIMATOR BELLOW LEAK TEST - ASSEMBLY

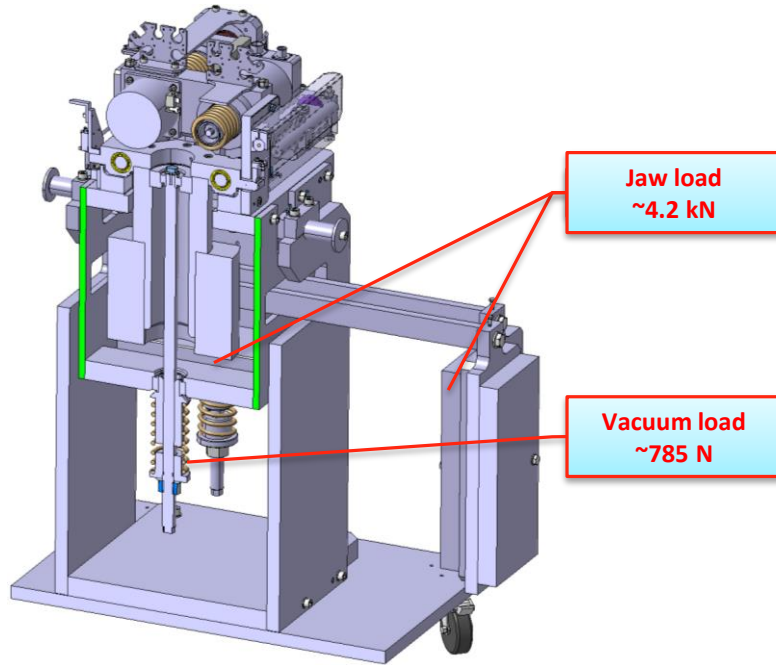


LHCTCLPX_T0042
TCLPX SHAFT/TANK WELDING TOOL ASSEMBLY

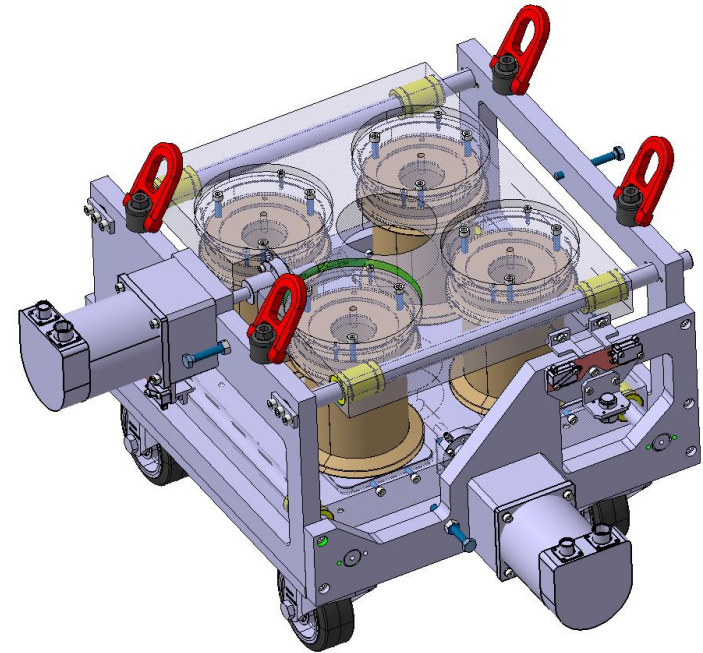


TOOLINGS FOR IR COLLIMATOR

LHCTCLPX_T0060
TCLPX CYCLING TEST BENCH OF MECHANICAL TABLE

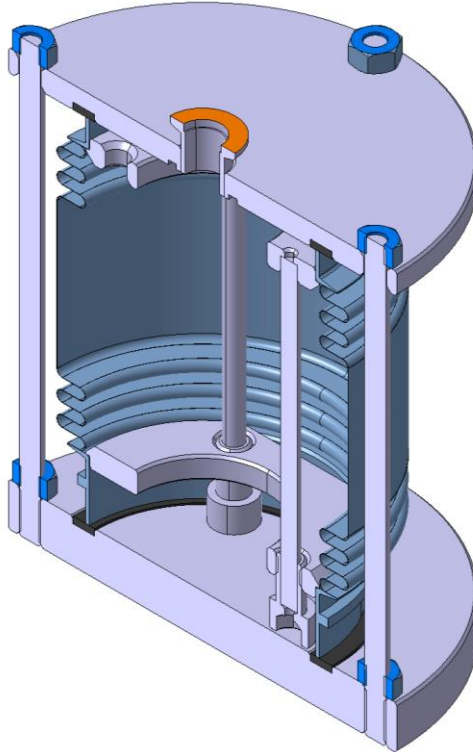


LHCTCLPX_T0071
TCLPX BELLOW CYLING TOOL ASSEMBLY

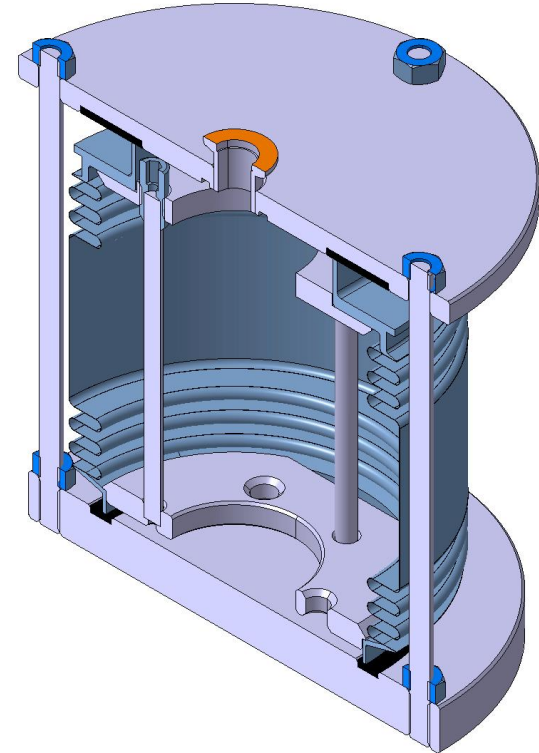


TOOLINGS FOR IR COLLIMATOR

LHCTCLPX_T0078
TANK BELLOW LEAK TEST HBLT ID105 Assembly

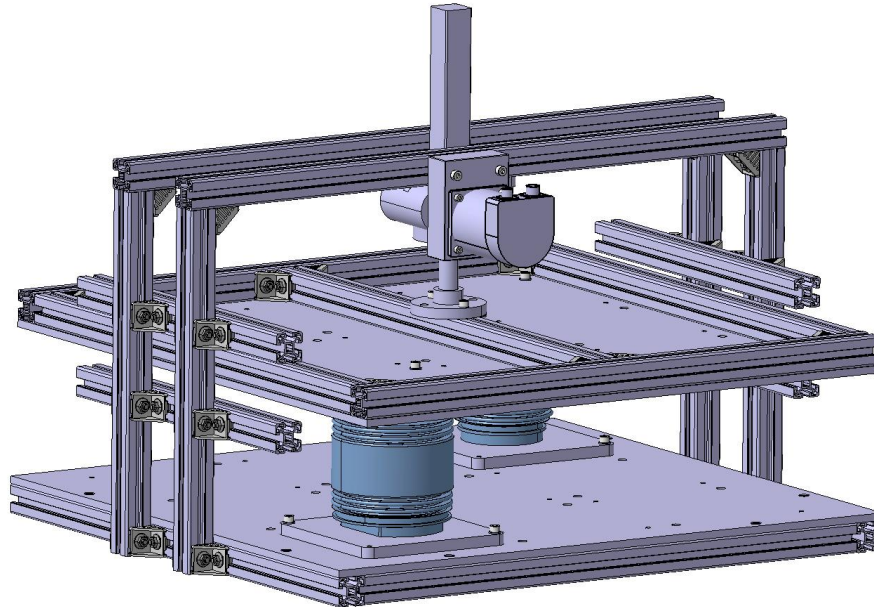


LHCTCLPX_T0077
TANK BELLOW LEAK TEST HBLT ID125 Assembly



TOOLINGS FOR IR COLLIMATOR

LHCTCLPX_T0095
Hydroformed Bellow Cycling Tool



SUMMARY TABLE

Definition	CDD number	Designed by	Design Status	Used by	Manufact. Resp.	Manufact. Status
BELLOW SURFACING FLANGE TOOLING	LHCTC__X_T0001	MME	Released	MME	MME	On-going
BELLOW-SHAFT WELDING TOOLING ASS.	LHCTC__X_T0002	MME	Released	MME	MME	On-going
IR MECHANICAL TABLE ALIGNEMENT TOOL	LHCTC__X_T0014	MME	Under check	STI	STI	On-going
TCLPX RF FINGERS TEST STAND	LHCTCLPX_T0022	MME	Released	STI	STI / MME	On-going
TCLPX BELLOW/SHAFT VACUUM TEST - ASSEMBLY	LHCTCLPX_T0032	MME	Released	MME	MME	On-going
IR COLLIMATOR BELLOW LEAK TEST - ASSEMBLY	LHCTCLPX_T0037	MME	Released	STI	STI	On-going
TCLPX SHAFT/TANK WELDING TOOL ASSEMBLY	LHCTCLPX_T0042	MME	Released	MME	MME	On-going
TCLPX CYCLING TEST BENCH OF MECHANICAL TABLE	LHCTCLPX_T0060	MME	Released	STI	STI	On-going
TCLPX BELLOW CYLING TOOL ASSEMBLY	LHCTCLPX_T0071	MME	Released	STI	STI	On-going
TANK BELLOW LEAK TEST HBLT ID125 Assembly	LHCTCLPX_T0077	STI	Released	STI	STI	On-going
TANK BELLOW LEAK TEST HBLT ID105 Assembly	LHCTCLPX_T0078	STI	Released	STI	STI	On-going
Hydroformed Bellow Cycling Tool	LHCTCLPX_T0095	STI	Released	STI	STI	On-going
TCTPXH SHAFT/TANK WELDING TOOL ASSEMBLY	LHCTCPX_T0010	MME	Released	MME	MME	On-going
BPM CABLE BENDING TOOLS						
BPM ANTENNA TOOL						

Thank you for your attention

