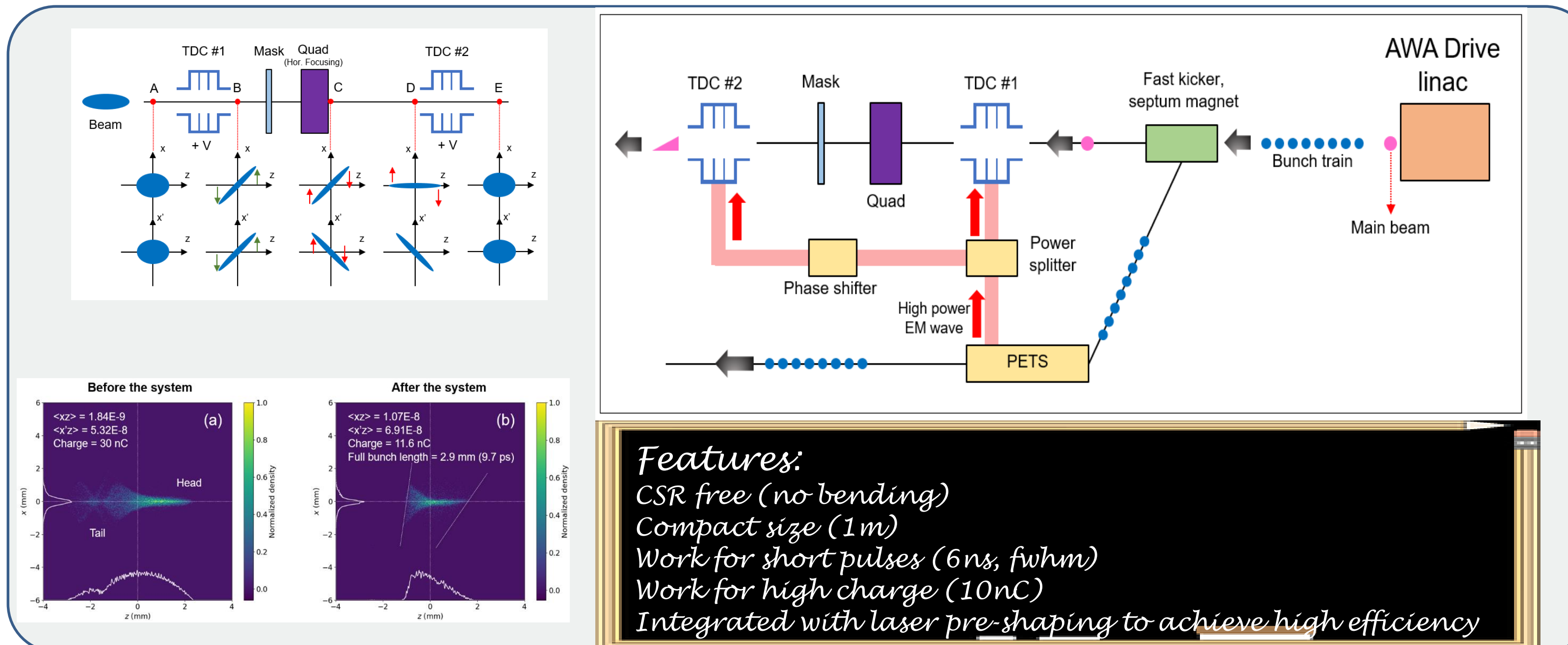


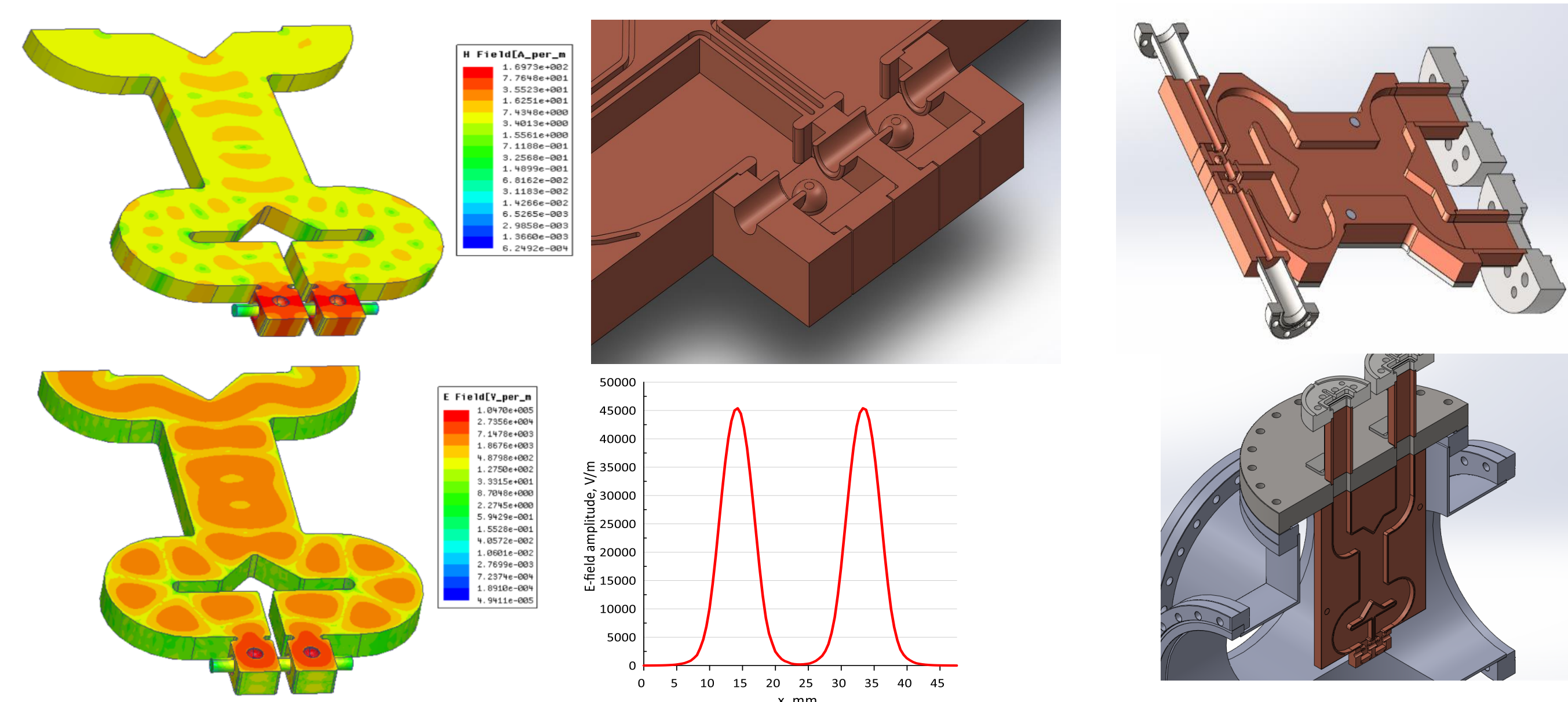
C. Jing, S. Kuzikov, E. Knight, S. Weatherly, S. Kim, P. Piot, E. Wisniewski, S. Doran, J. Power

APPLICATION

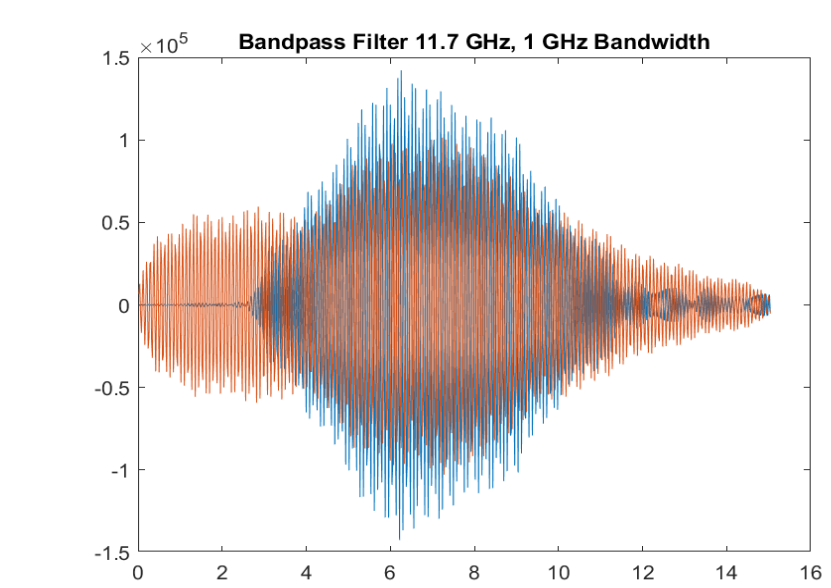
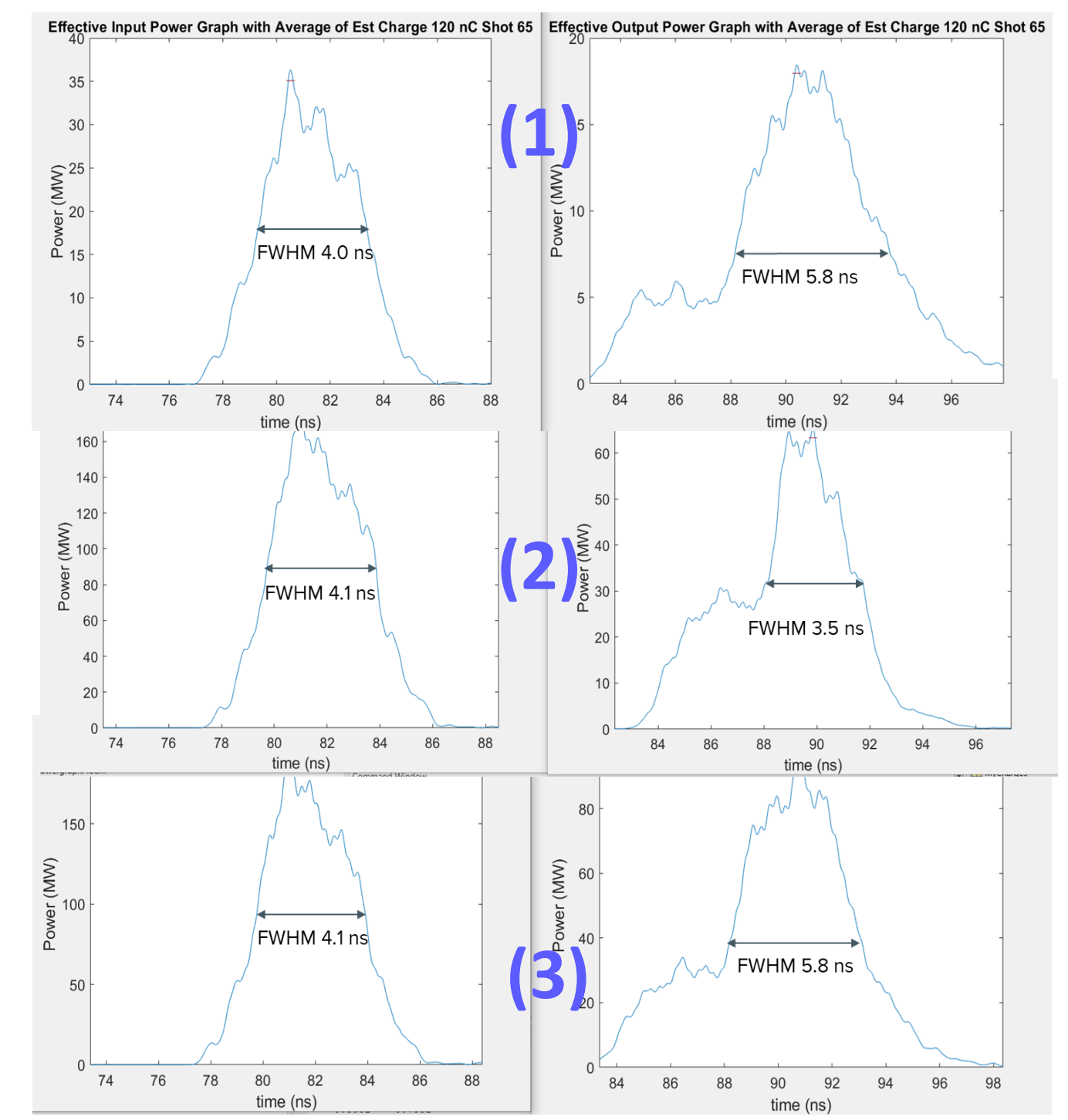
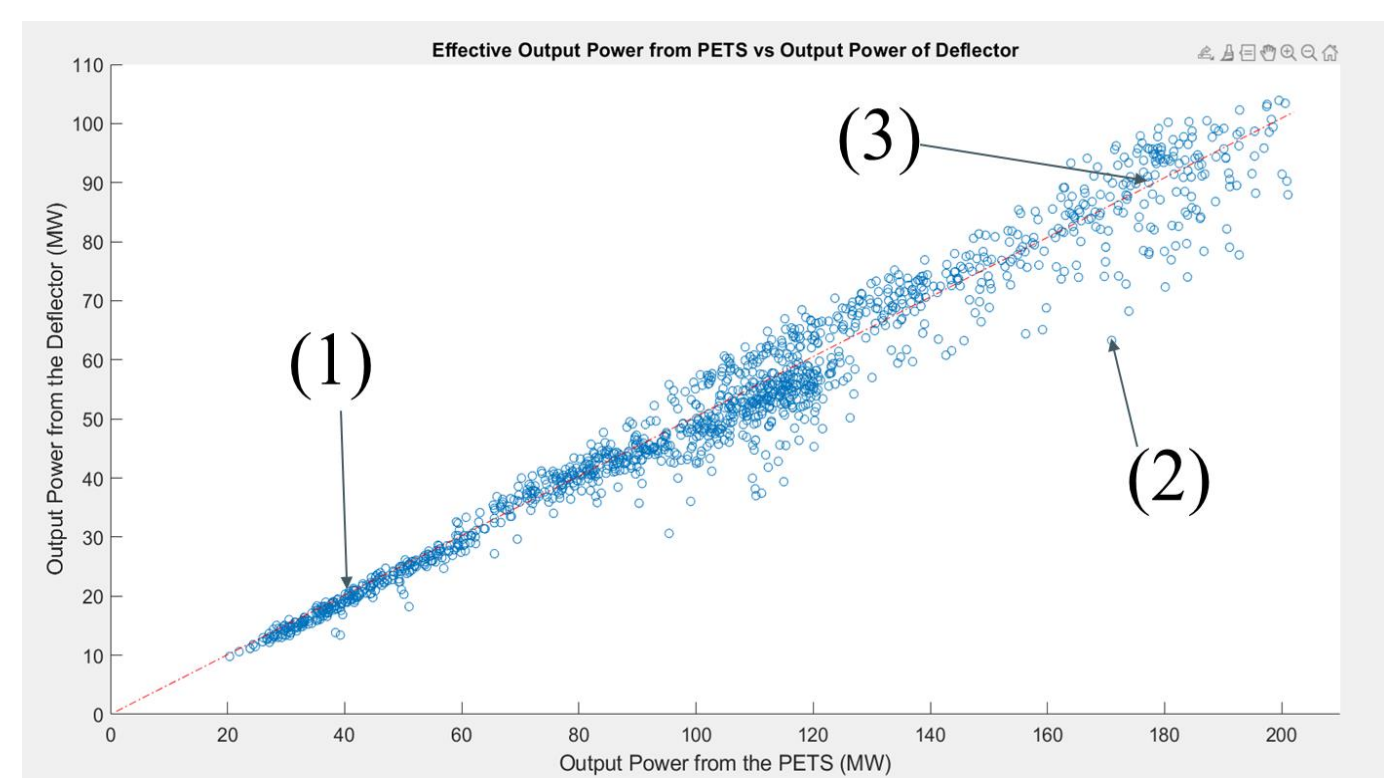
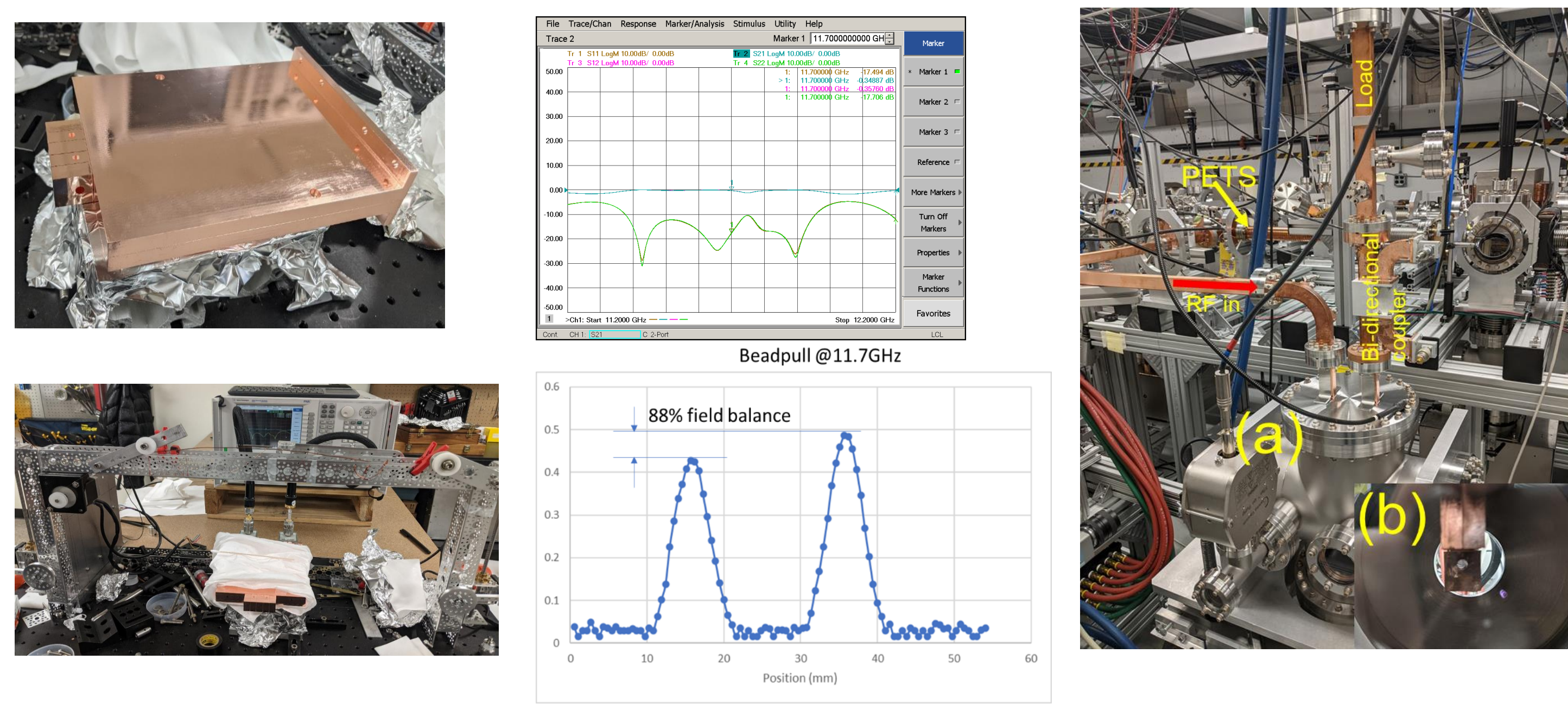


Features:
 CSR free (no bending)
 Compact size (1m)
 Work for short pulses (6ns, fwhm)
 Work for high charge (10nC)
 Integrated with laser pre-shaping to achieve high efficiency

RF AND ENGINEERING DESIGN



FABRICATION, BENCH MEASUREMENT, & HIGH POWER RF TEST



Acknowledgement