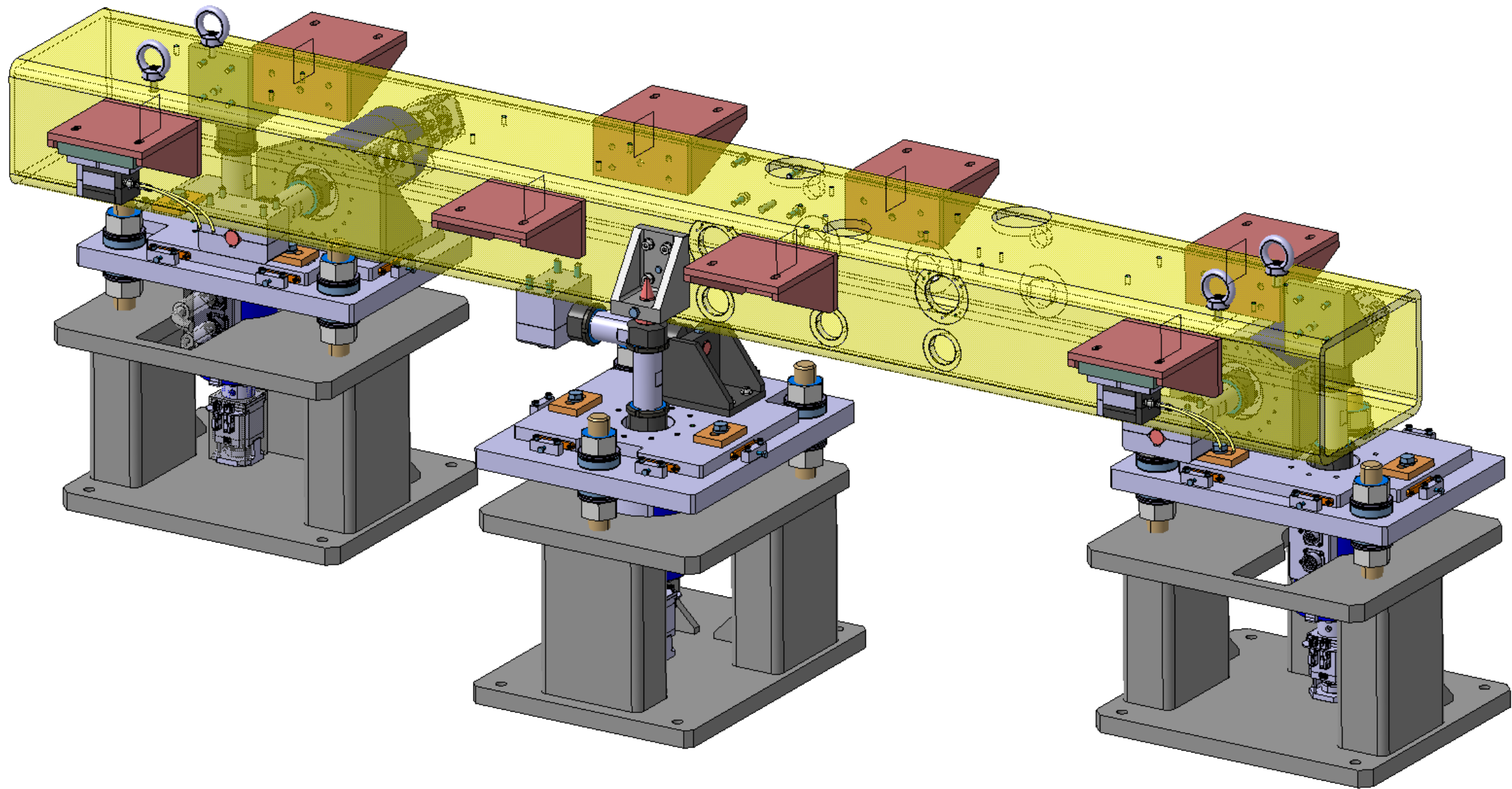
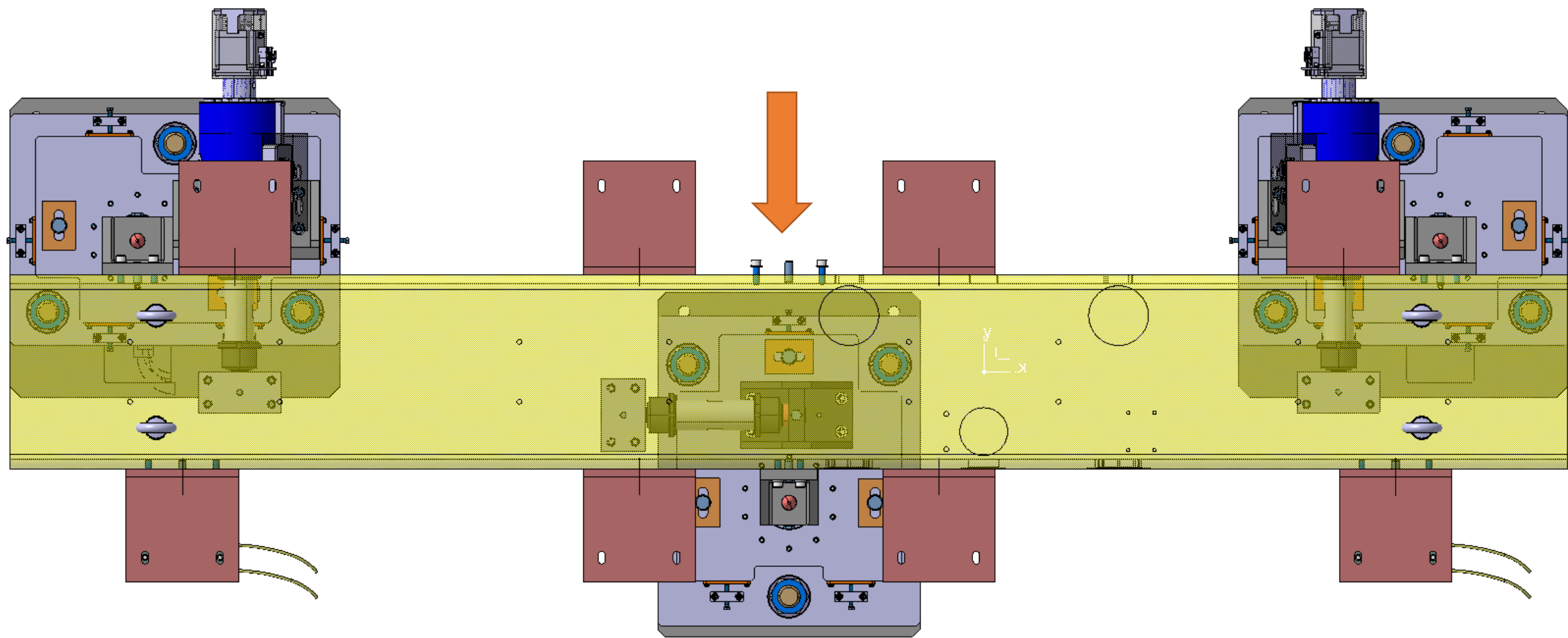
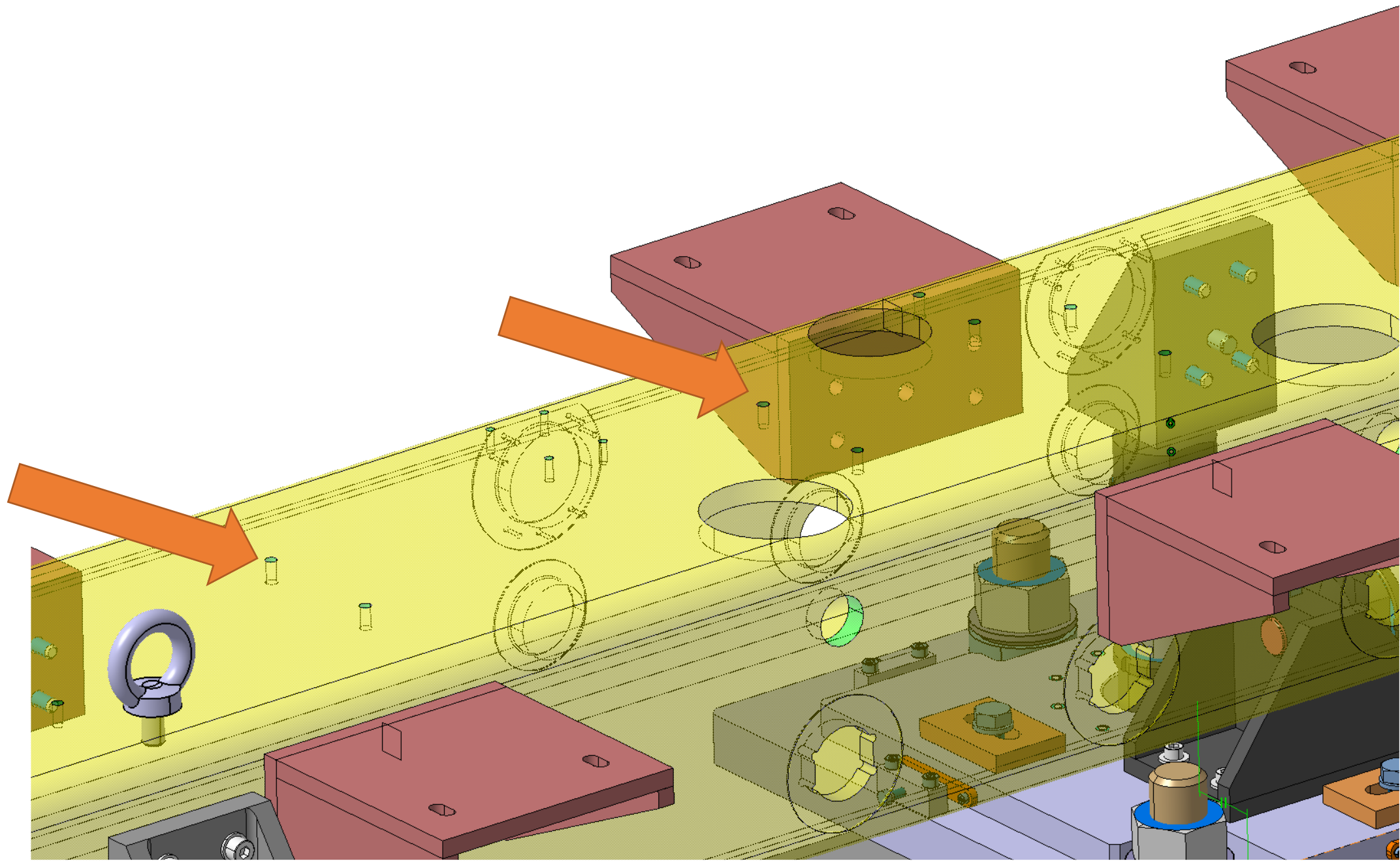


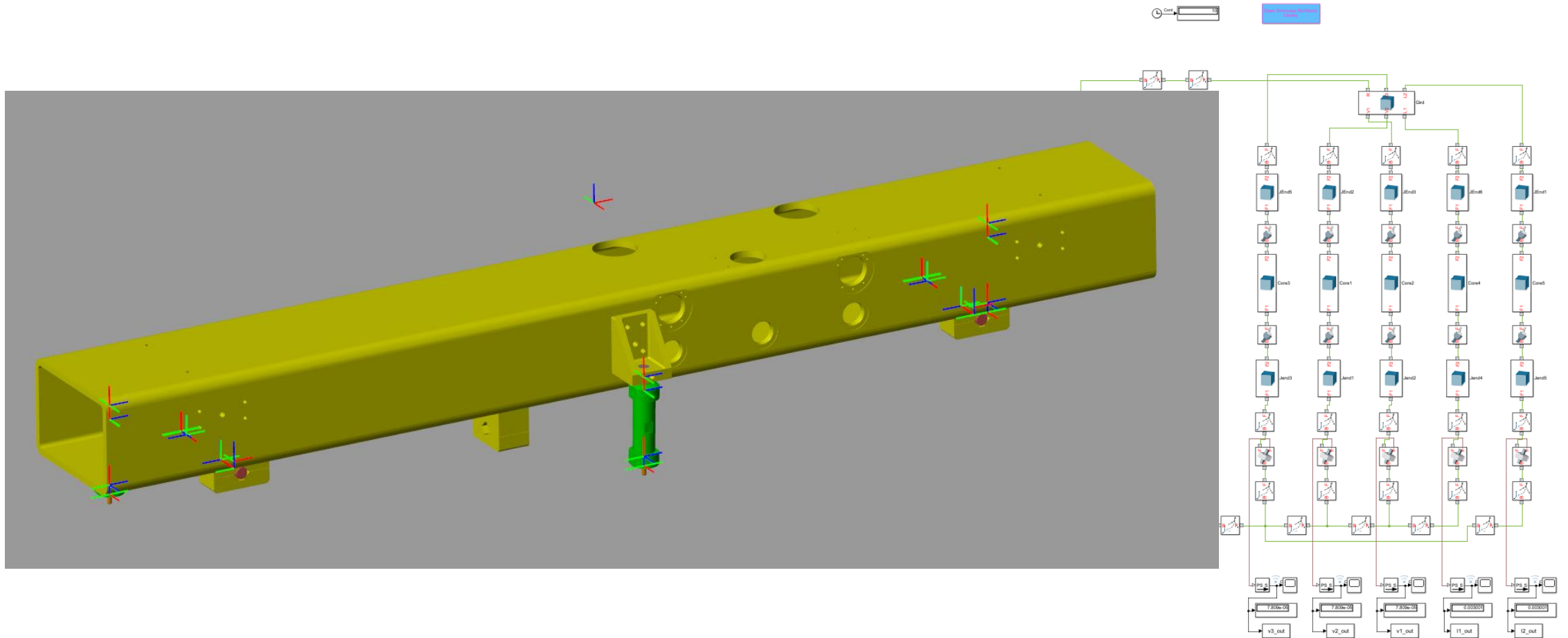
CLIC Module Working Group
15-06-2022







Matlab/Simscape Kinematics Analysis



Oxford Summer Student

- Ryan Ghent
- Engineering Student
- 8 Weeks
- Starting June 27th
- Will be attending the summer lectures
- Office space?