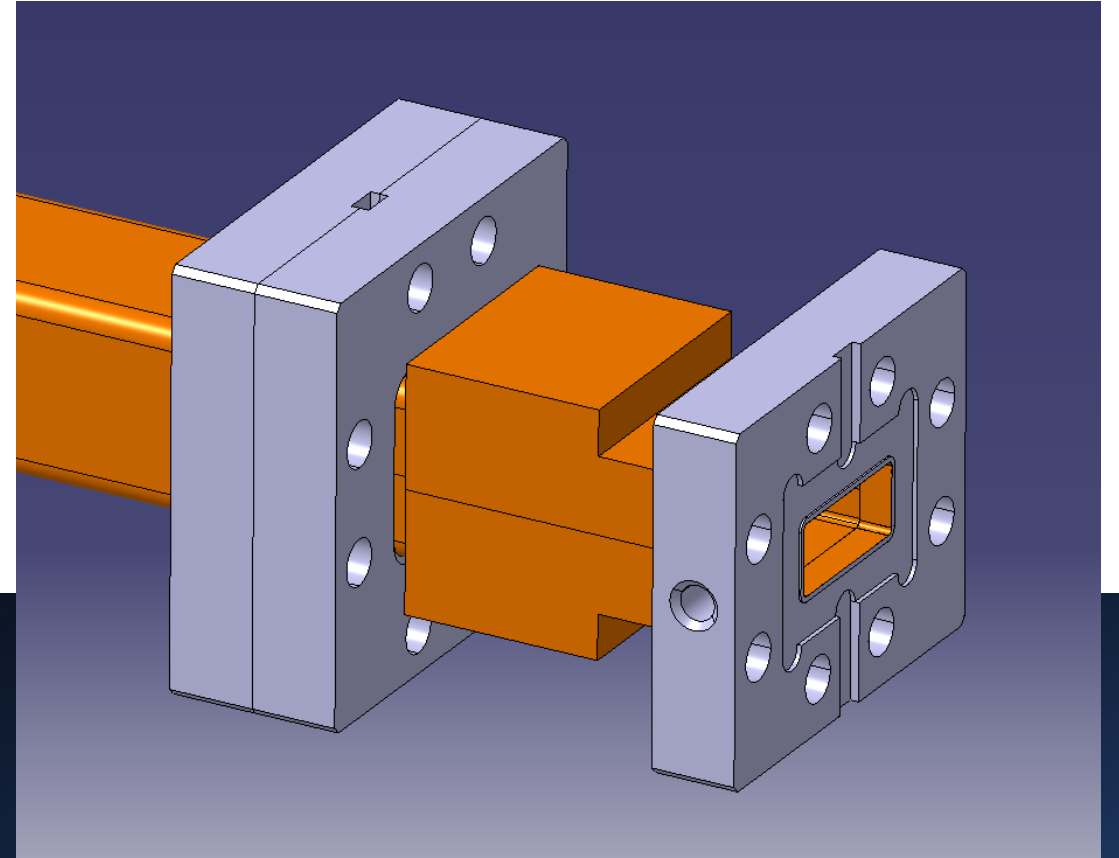


# Investigating Compound Clearance errors in multi-part assemblies



- Possible for errors to stack on top of each other
- Assuming a face-to-face assembly
- Revised tolerances would result in better overall misalignment
- Does not account for each individual step!

