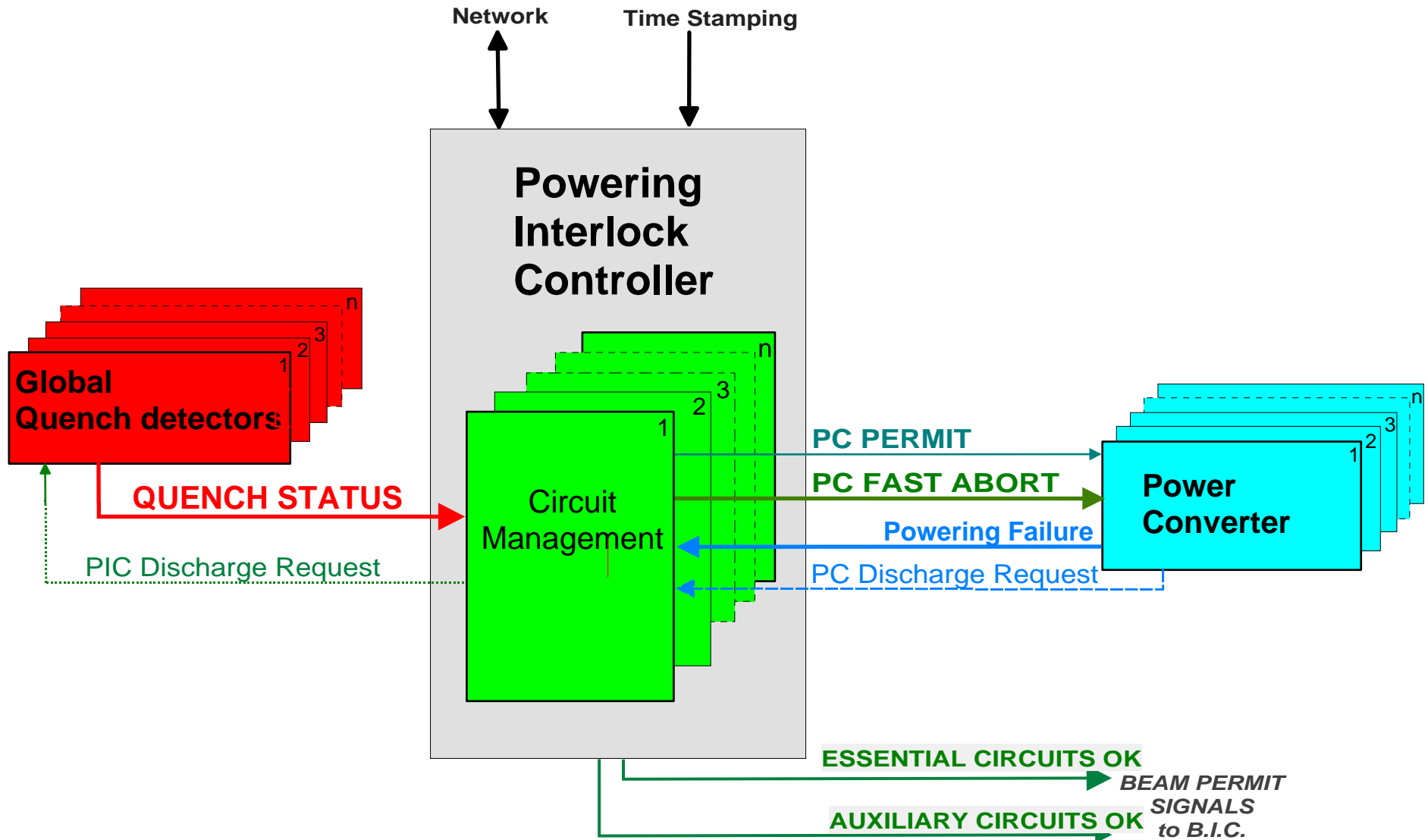
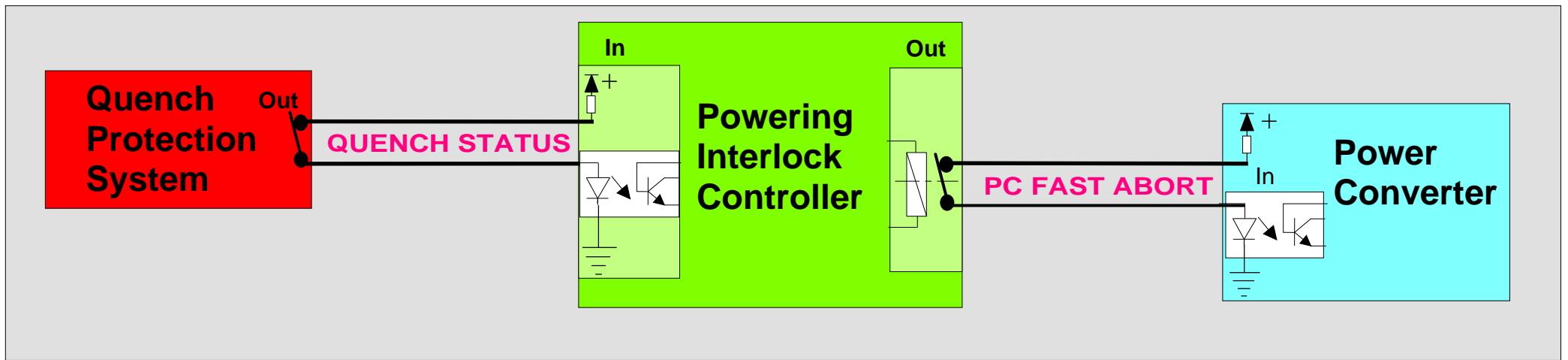


P.I.C. Interfaces with the Quench Protection System and with the Power Converter System:





Basic Concept



Solution chosen to increase the Global Reliability

