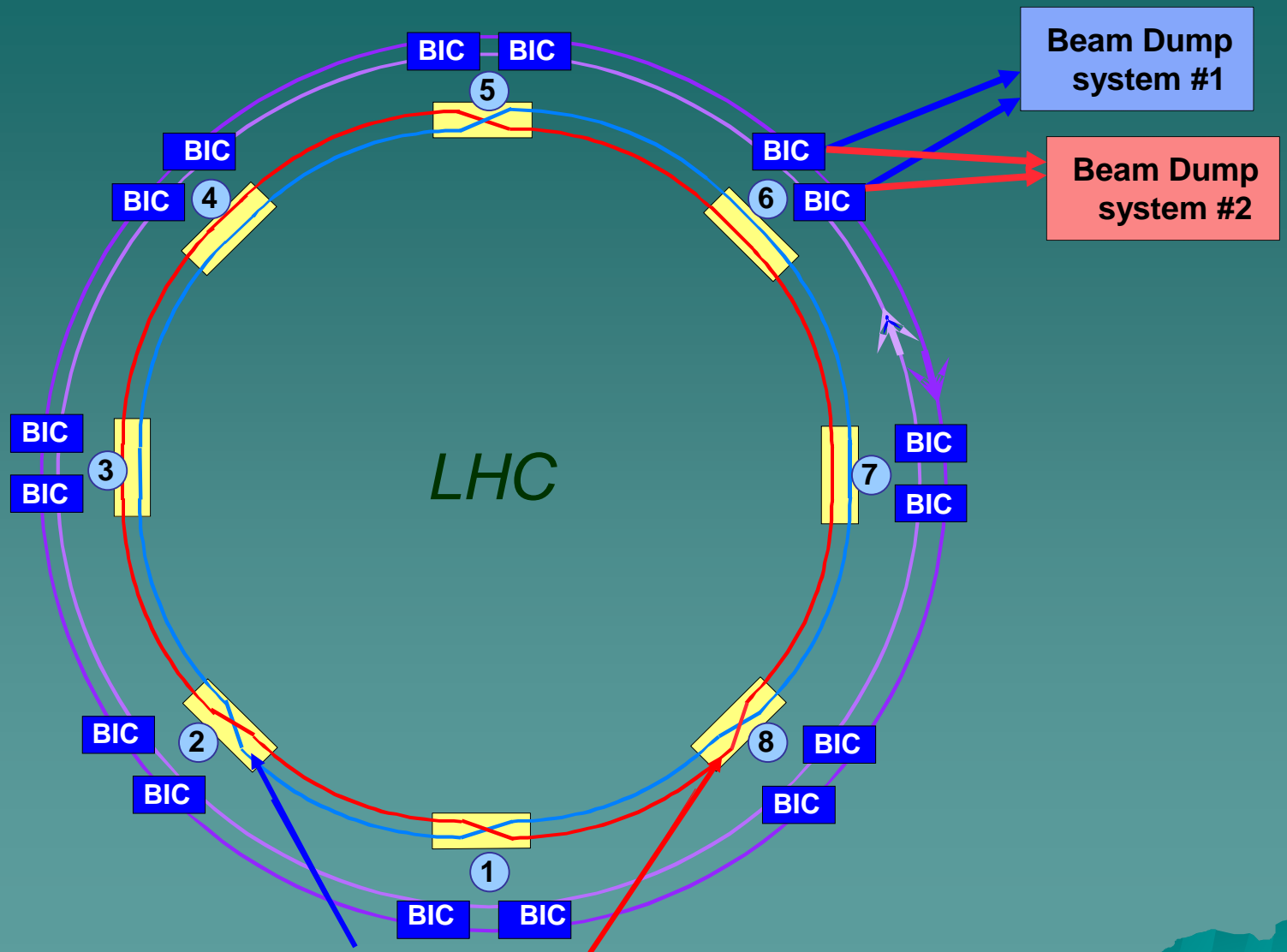
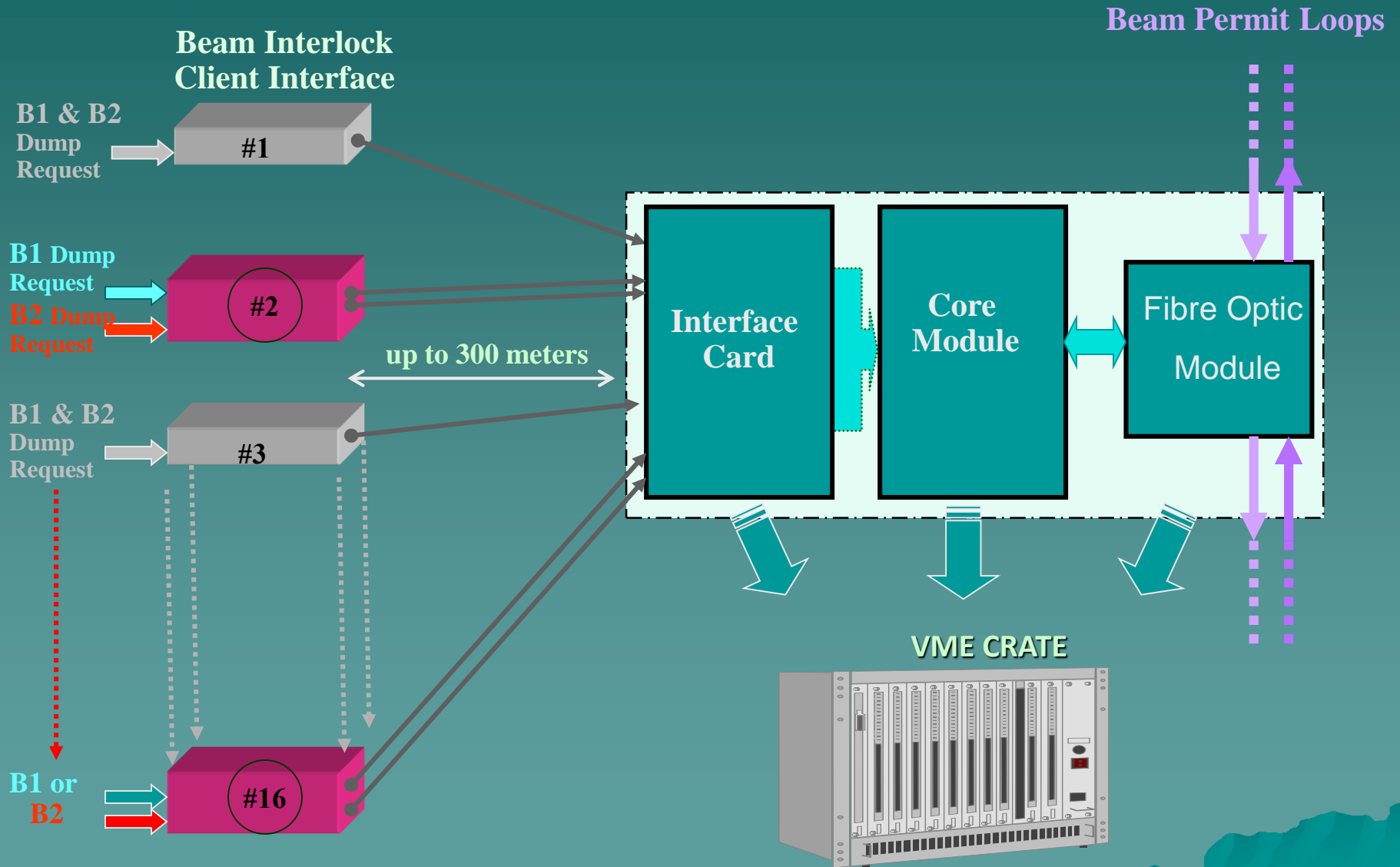


Beam Interlock System



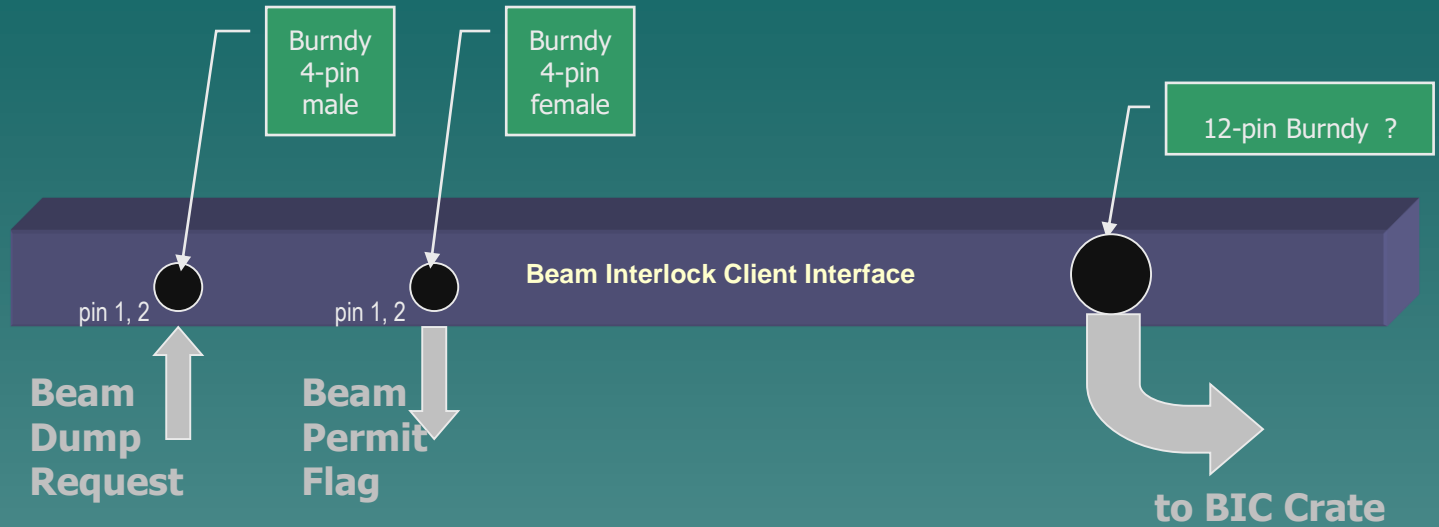
Beam Interlock Controller



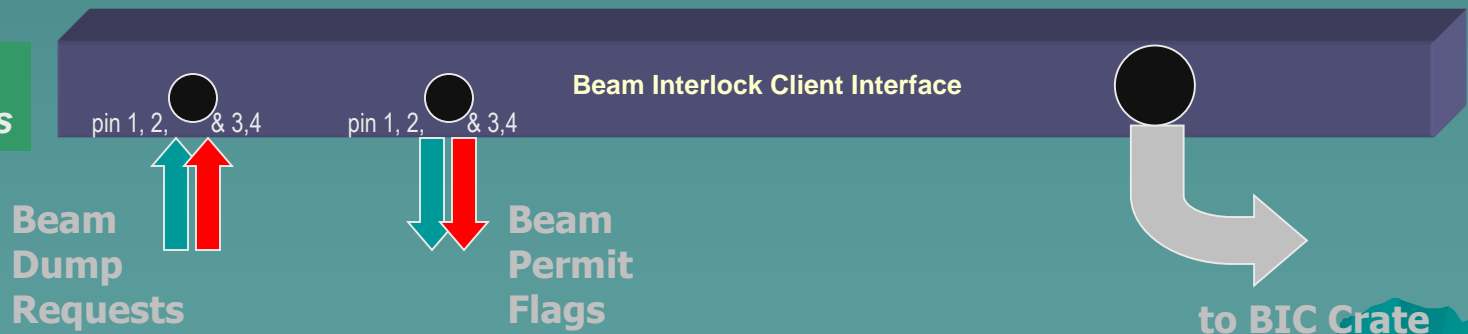
	L1	R1	L2	R2	L3	R3	L4	R4	L5	R5	L6	R6	L7	R7	L8	R8
BLM (Critical)	●	●	●	●	●	●	●	●	●	●	●	●	●	●	●	●
PIC (Critical)	●	●	●	●	●	●	●	●	●	●	●	●	●	●	●	●
Warm Magnets	●		●		●				●		●		●		●	
Access	○		○		○		○		○		○		○		○	
B.E.M.											○					
BLM (Not critical)	●		●		●		●		●		●		●		●	
PIC (Not critical)	●	●	●	●	●	●	●	●	●	●	●	●	●	●	●	●
Experiments	○		○						○				○			
Vacuum		●	●	●	●	●	●	●		●	●	●	●	●	●	●
Beam Dump											●	●	●	●		
Control Room	○															
Collimators	●	●	●	●	●	●			●	●	●	●	●	●	●	●
R.F.							○									
Beam Aperture Kicker											○					
Beam Excursion											○					
Beam Life Time							○									

Beam Interface Client Interface

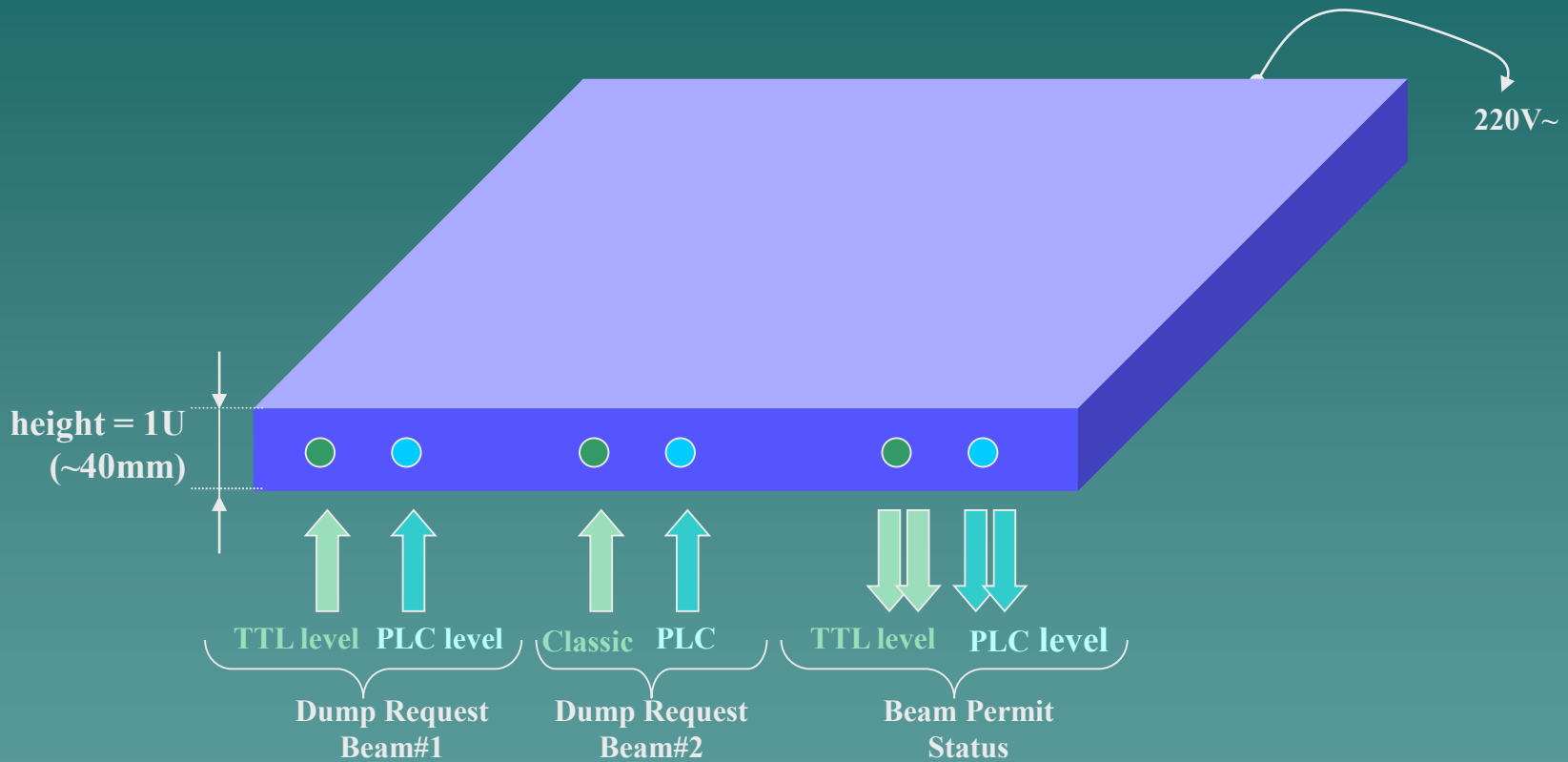
**Solution
for one Beam**



**Solution for
separated beams**



Proposal for the Interlock Client Interface:



Conclusion

- ◆ Comments from existing Interlock clients?
- ◆ Missing clients?
 - LHC Injection Kickers?
- ◆ New clients?
 - Q4 Measurement and MSD Voltage needed for LBDS?
- ◆ In accord with redundancy choices?
- ◆ Cables should be ordered very soon.
- ◆ In agreement with *Maskable / Not maskable* partition?
- ◆ “*Safe Beam Flag*” study has been launched