

Figure 1: Human phantom and detection system

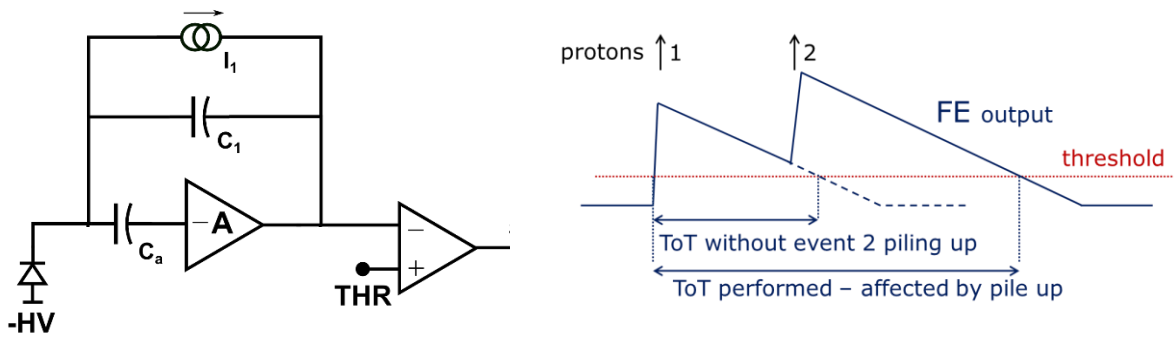


Figure 2: Effect of pile-up on the output of the front-end and due to the high particle flux

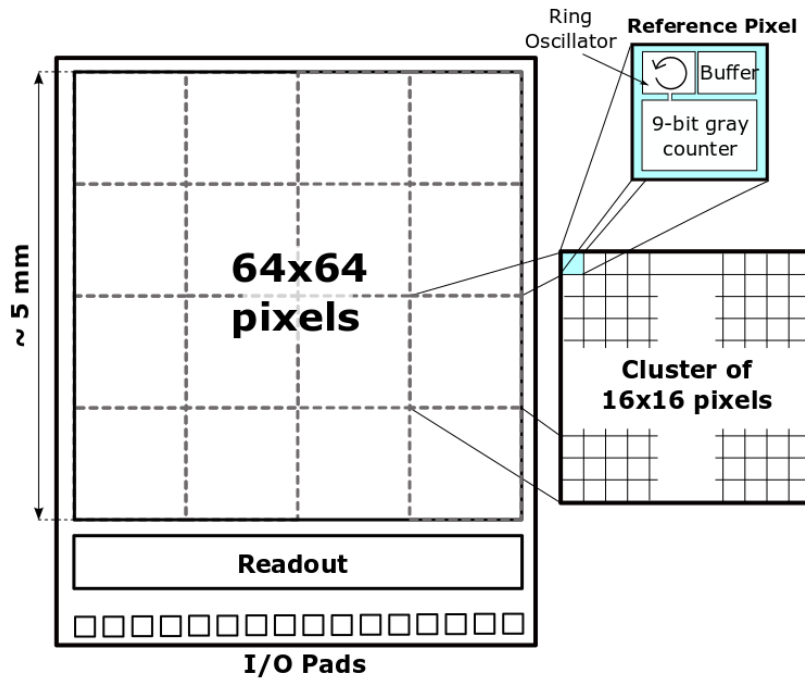


Figure 3: Architecture of the present detector. The 64x64 pixels is divided in 16 independent cluster to allow a uniform distribution of the time counter needed for pixel time stamping.

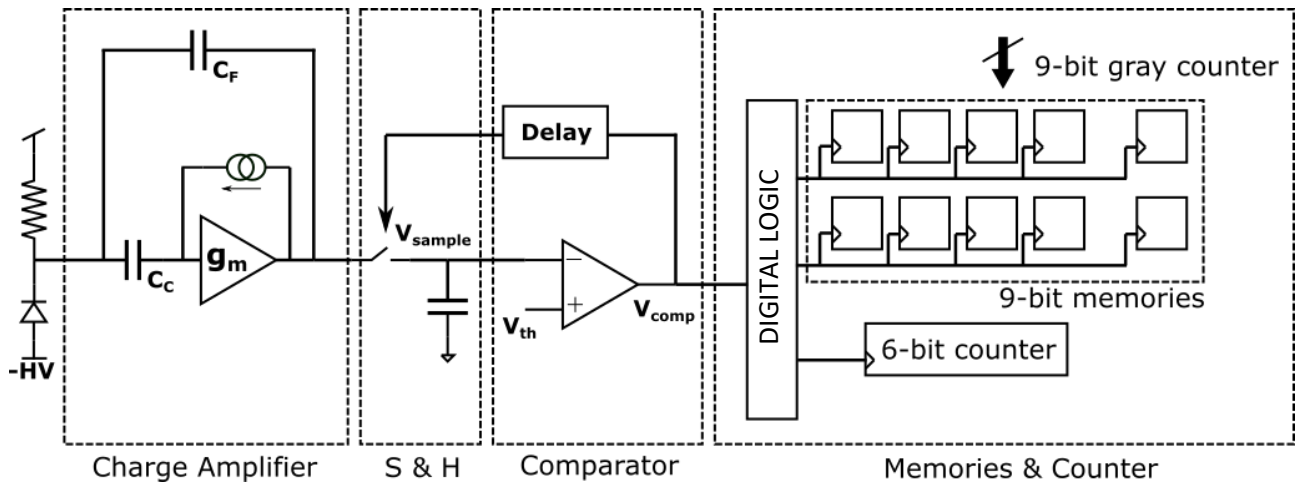


Figure 4: Simplified schematic of the pixel

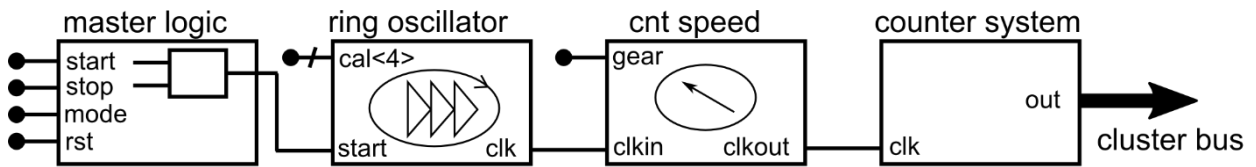


Figure 5: Simplified schematic of the master pixel