



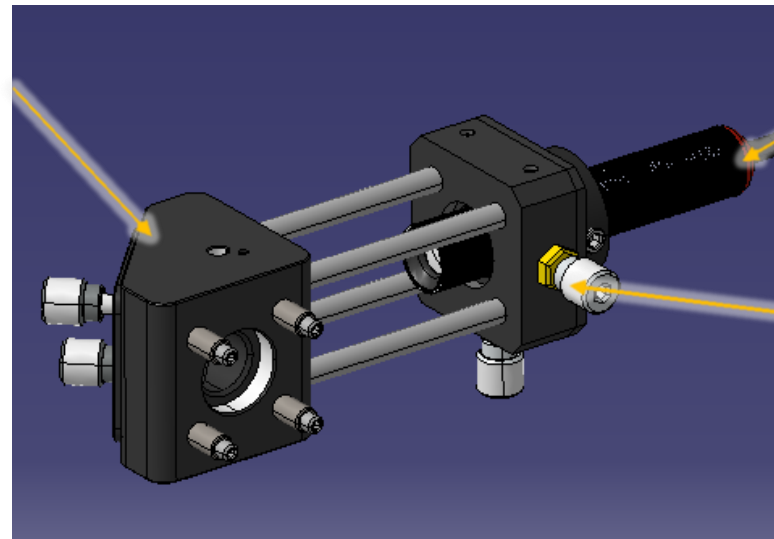
BGC Regular meeting – CERN Updates

Krystian Sidorowski

February 2022, CERN, Geneva, Switzerland

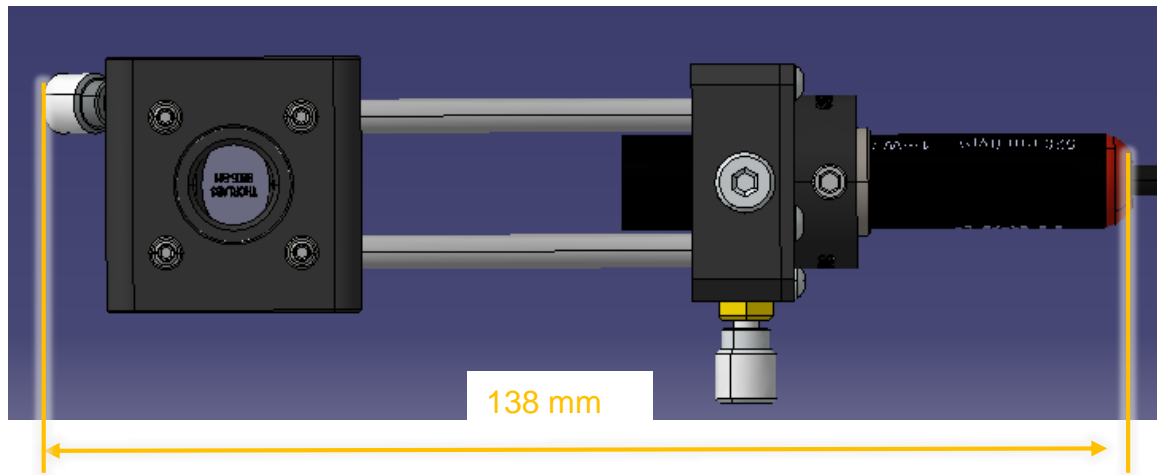
BGC Version 4 – Mirror and Laser assembly for the alignment

Mirror mount
with 2 angles
Adjustment

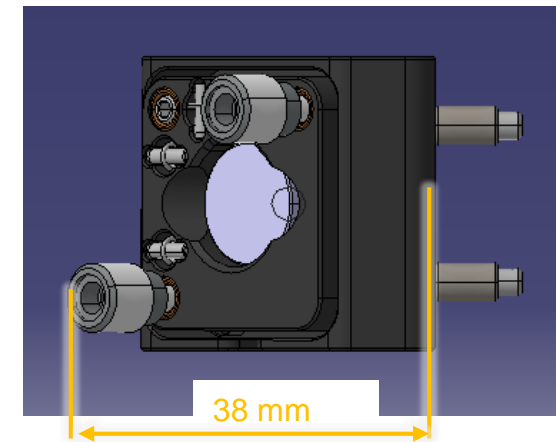


Laser

2 directions
adjustment
laser mount

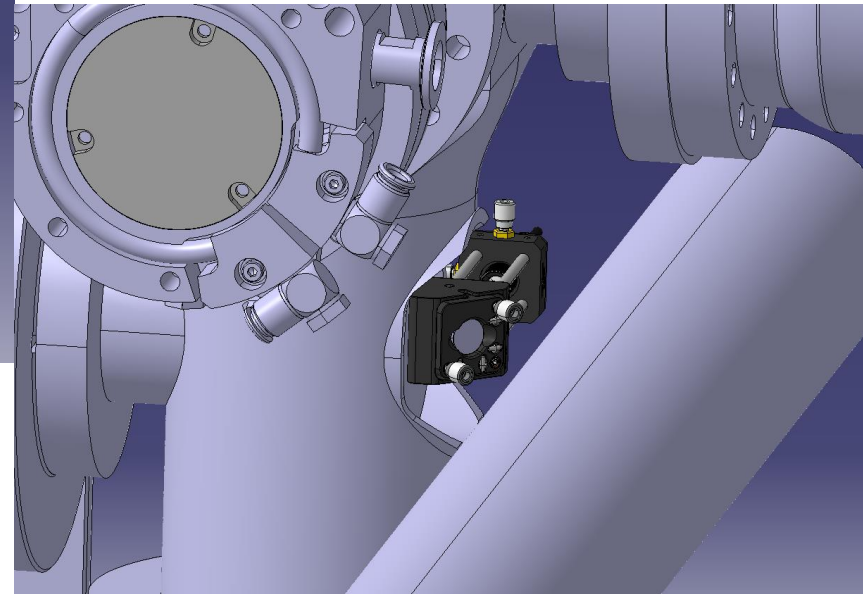
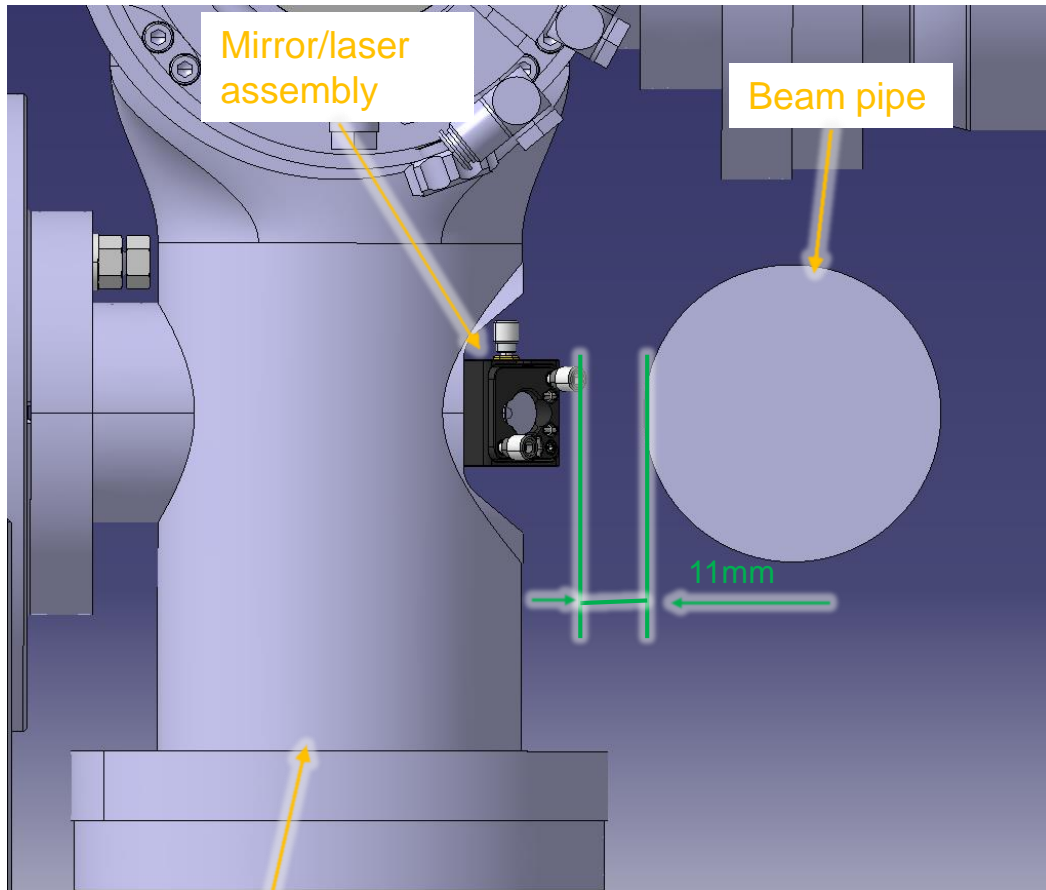


138 mm



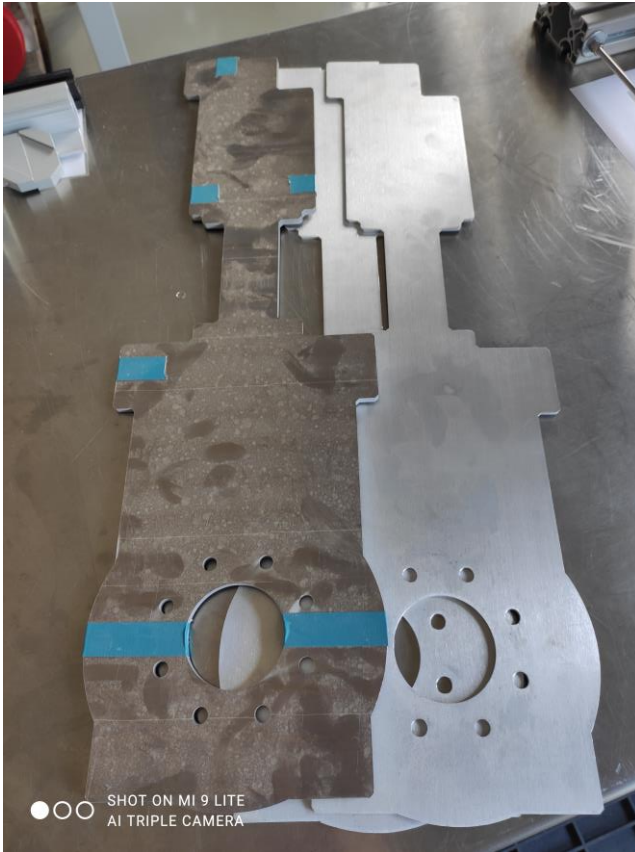
38 mm

BGC Version 4 – Mirror and Laser assembly for the alignment



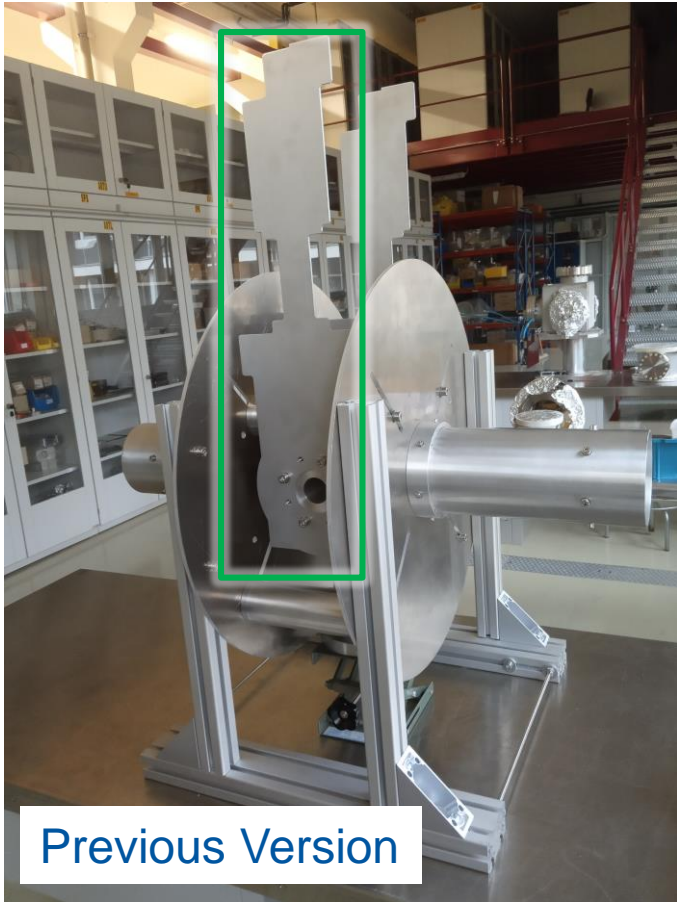
BGC Version 4 MockUp

New pieces were machined



BGC Version 4 MockUp

Thanks to new pieces, gate valves imitations are in three dimensions instead of two



Previous Version



Updated

Lab 8-R-014 UpDate

Renovation is done



Are there any questions?