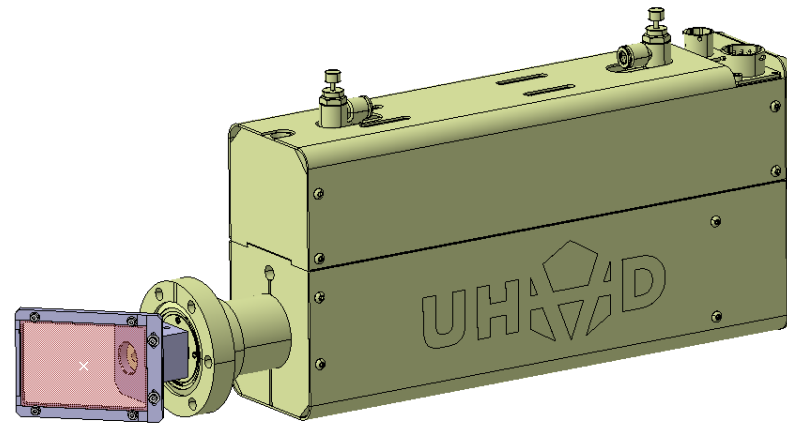


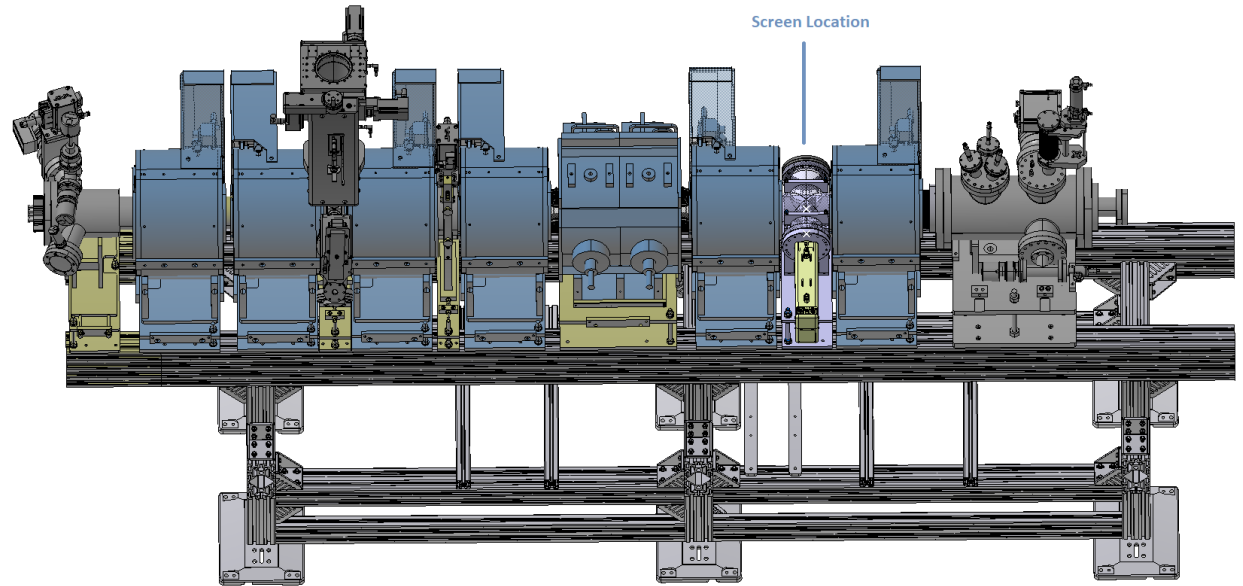


# HEL Test Stand Screen

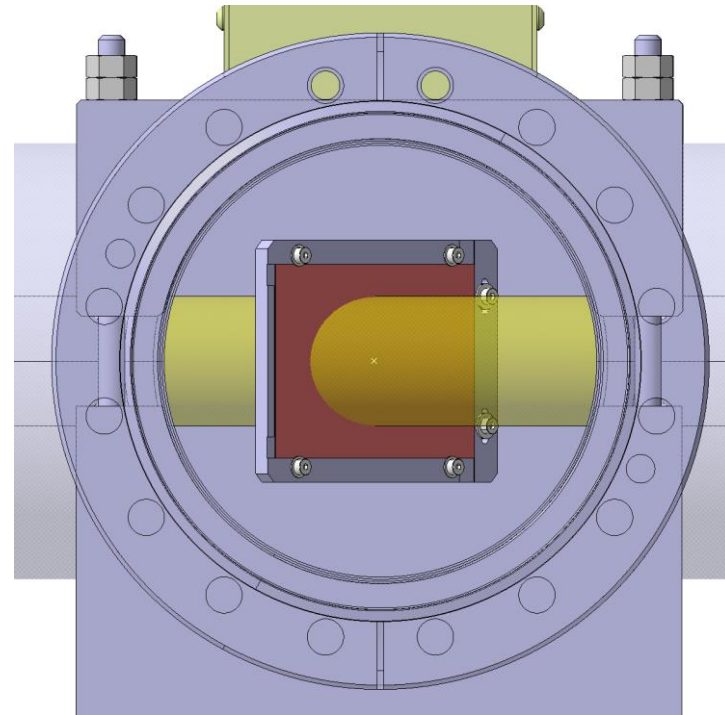
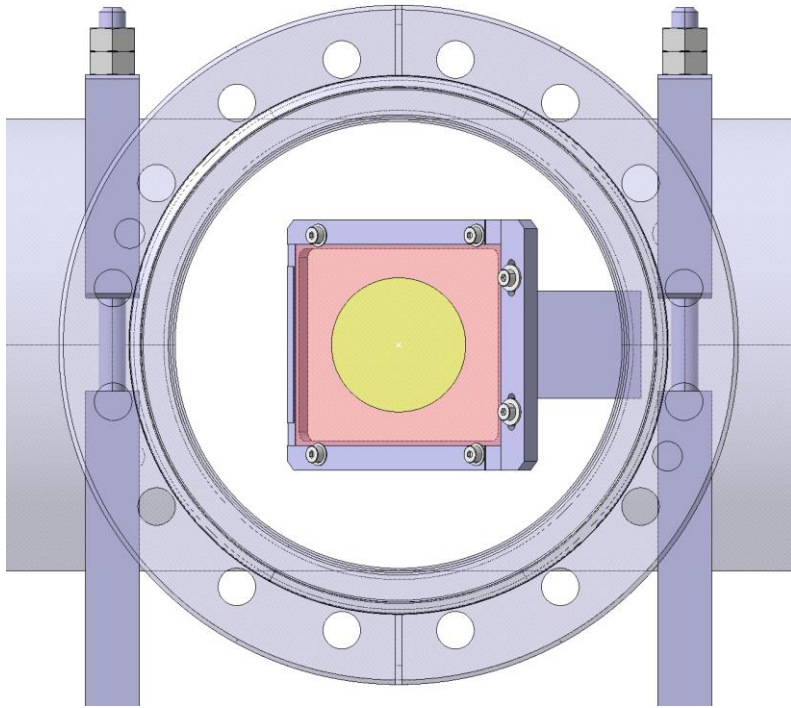
BGC Collaboration Meeting



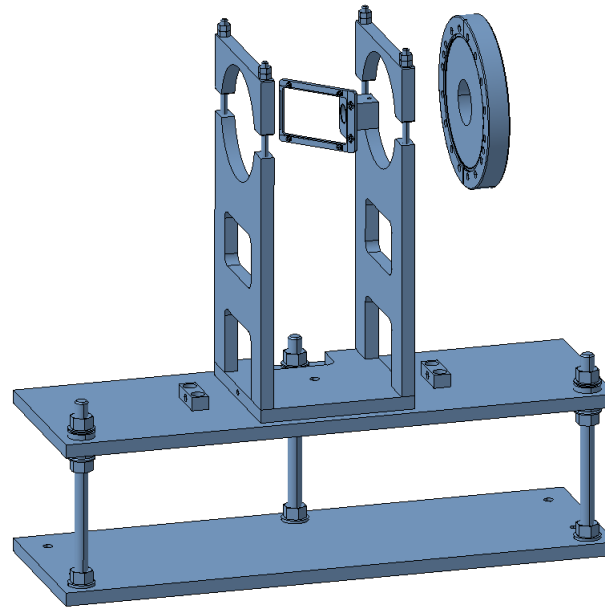
- 65x45x0.25mm Chromox Screen – selected following the results from CLEAR testing.
- At the nominal location of the BGC Gas Jet on the HEL Test Stand.
- Magnetically coupled & pneumatically actuated ‘push/pull’ mechanics.
- Housed within DN100 ‘cross’ (270x270mm).



- Screen is set at 45°.
- Centre of Screen is set to centre of 'Cross'.
- Sufficient clearance in case the Beam is larger or not central to 'cross'.



- Quotation pending from Screen supplier [4-6 weeks].
- Drawings made for Screen Frame & 'Cross' support [LHCTHETS0004]. Ready for manufacture [4-6 weeks].
- 'Cross', Actuator and Viewport already sourced.



## Next Steps:

- Launch manufacture of pieces and confirm Screen order.
- Discussions are ongoing regarding the Screen actuation – automated or manual?
- Camera set-up to be discussed.

Thank you for your attention.

