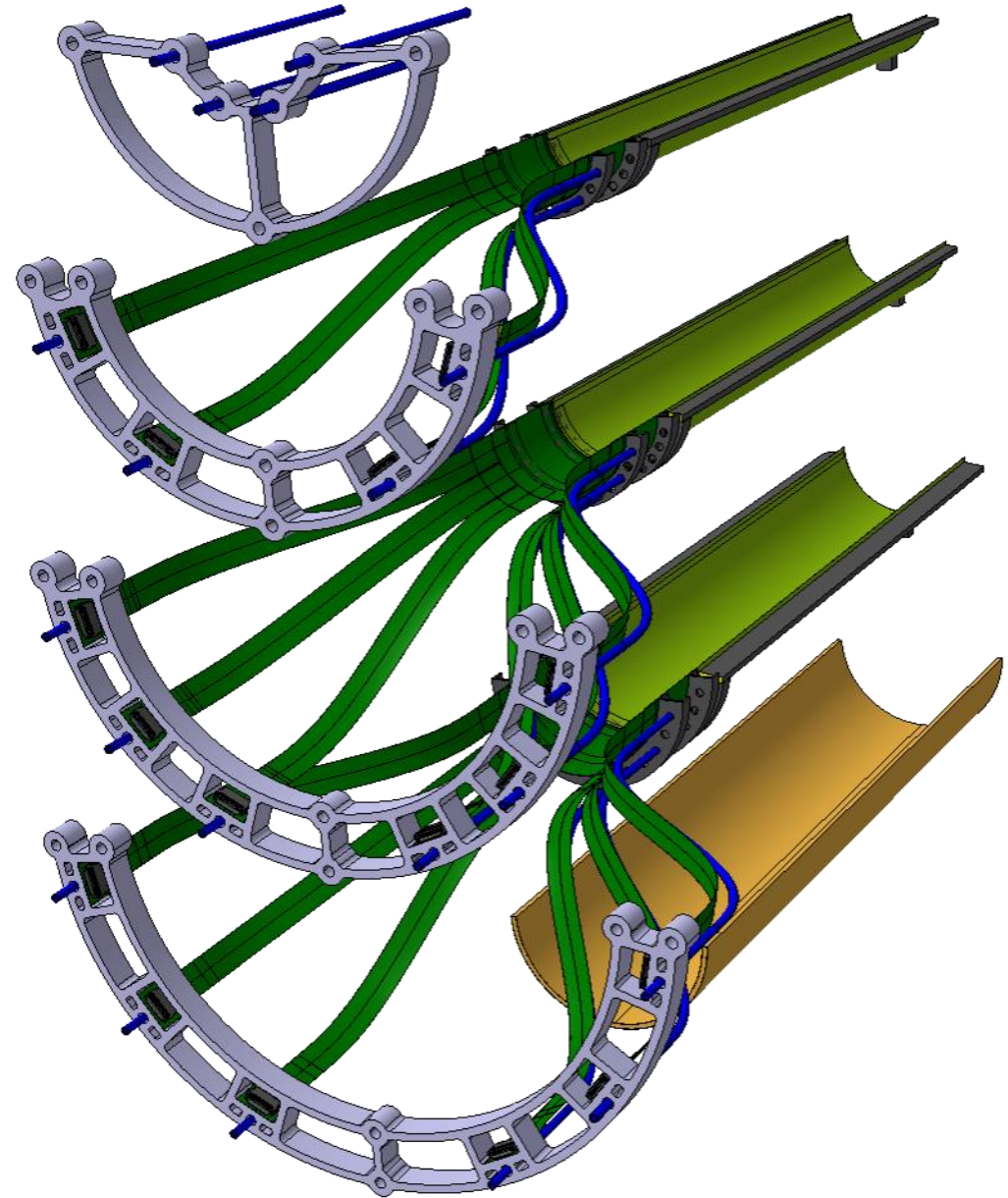
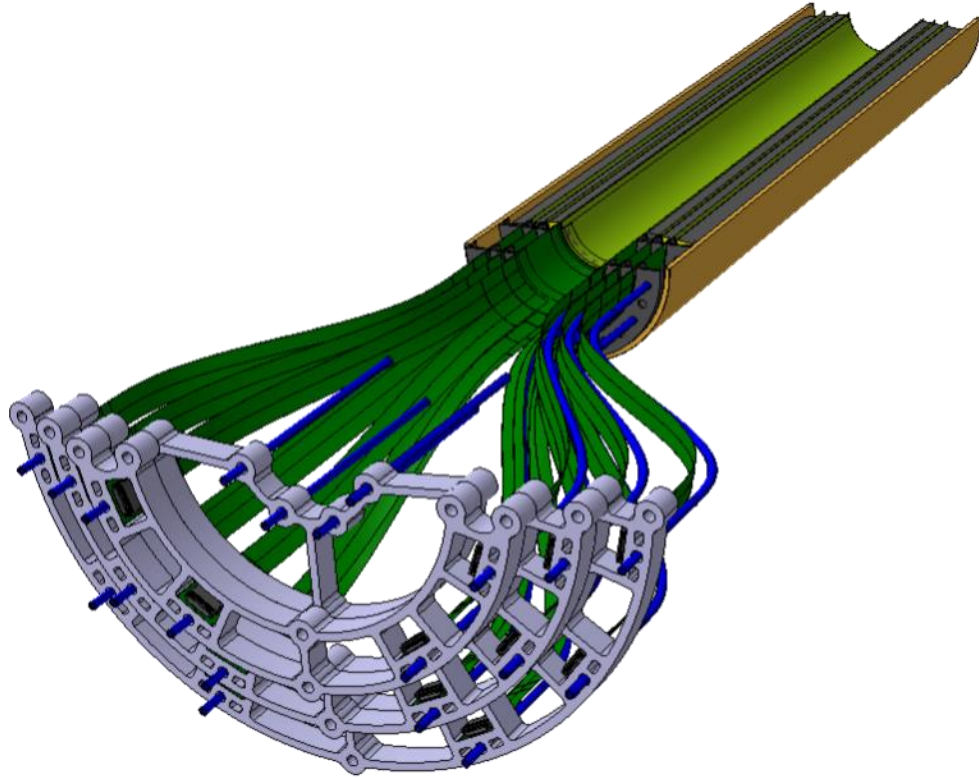
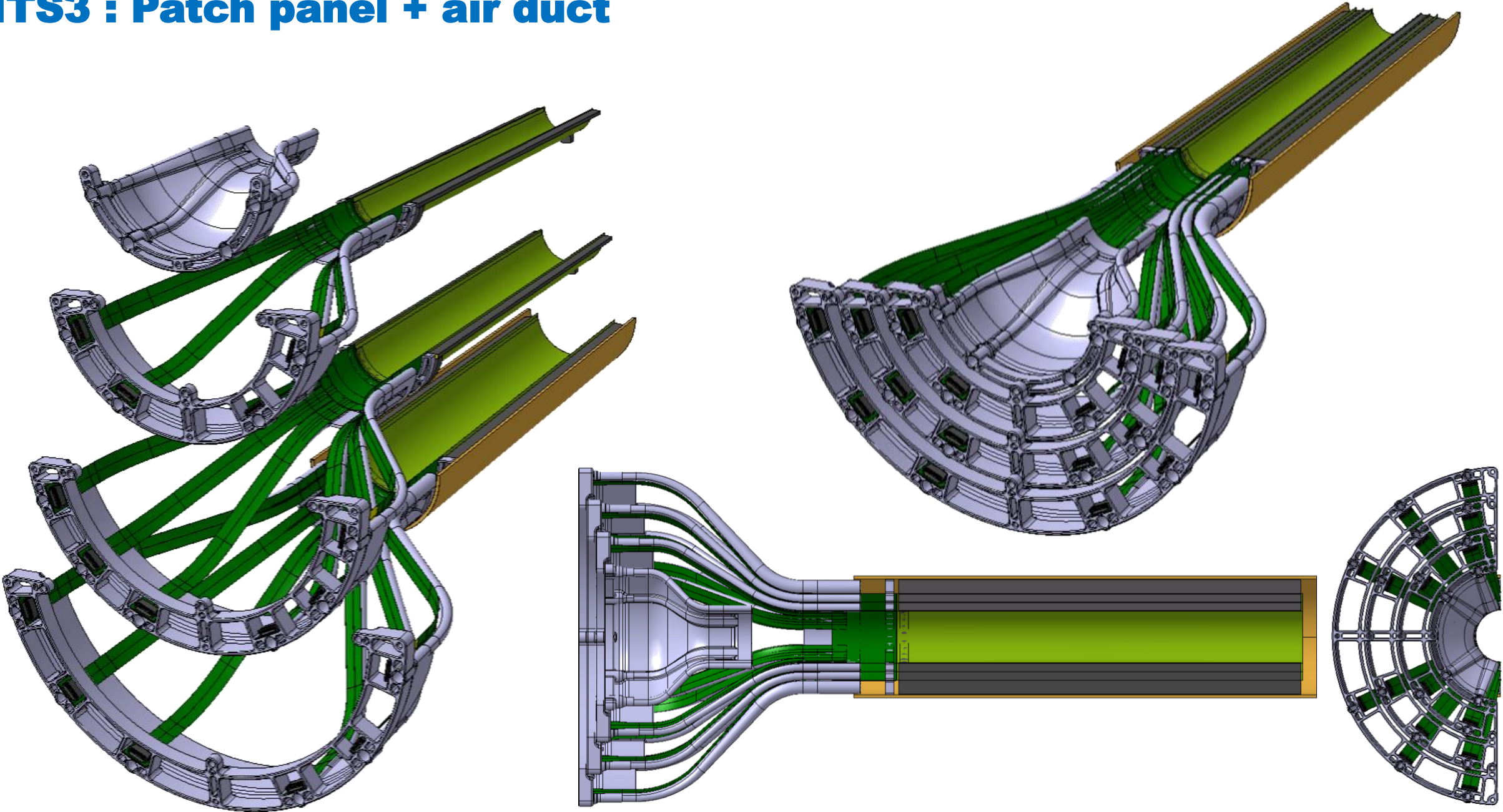


ITS3 : Patch panel

FPC, patch panels and distributed air pipes for each layers
> Pipes between layers were too small

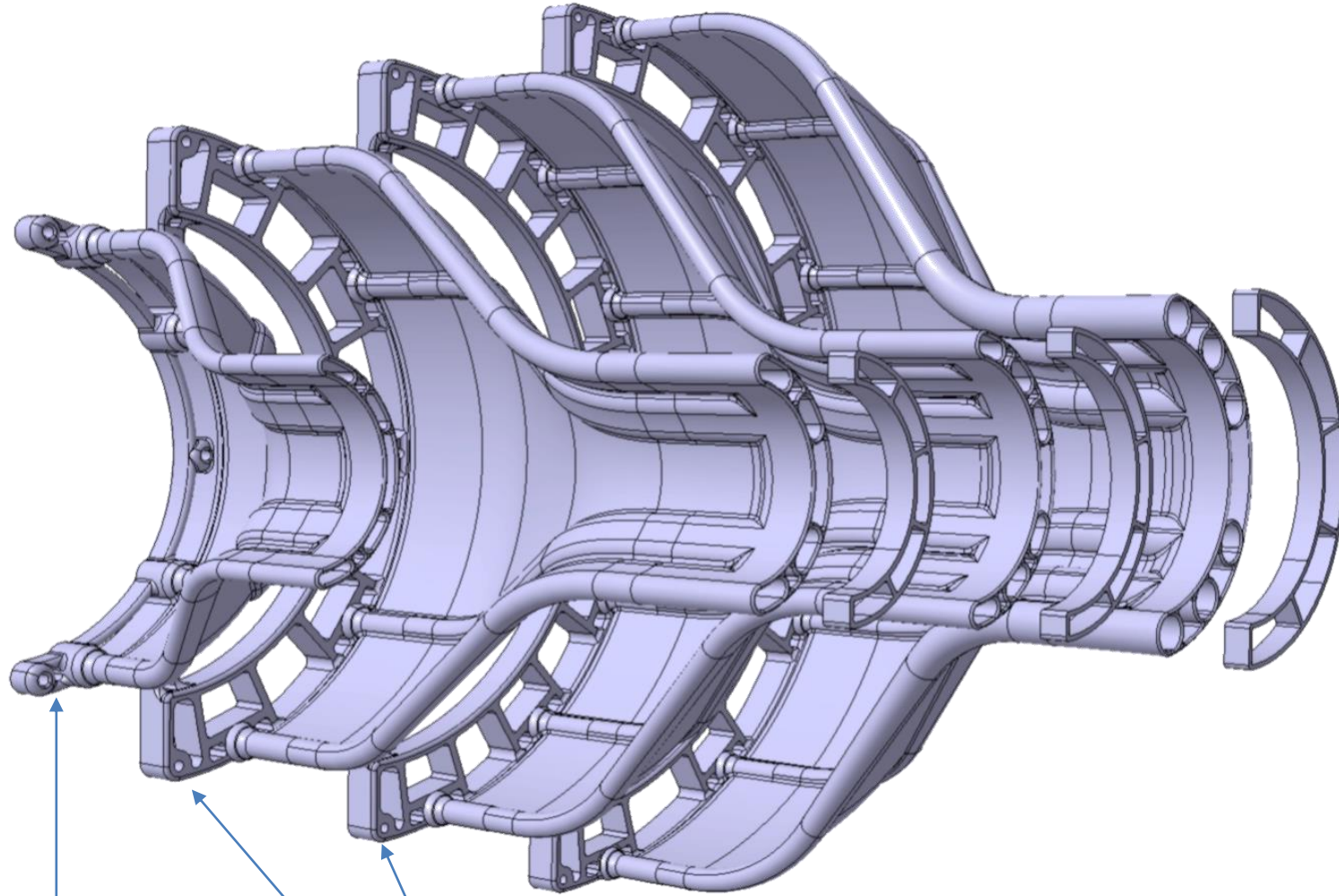


ITS3 : Patch panel + air duct

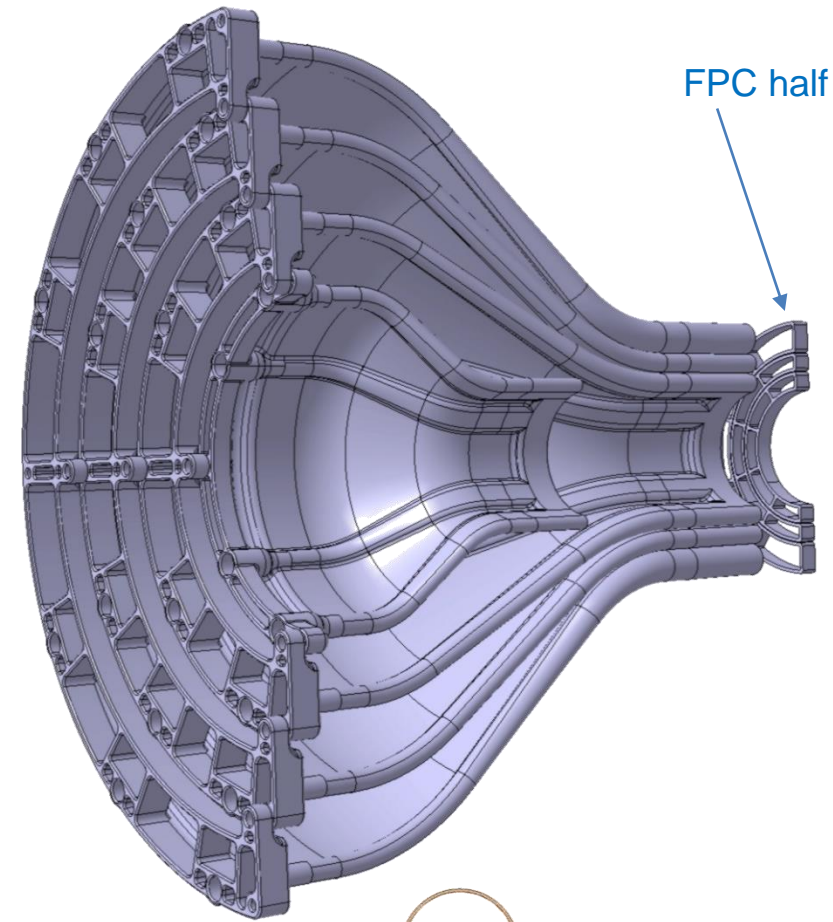


ITS3 : Patch panel + air duct

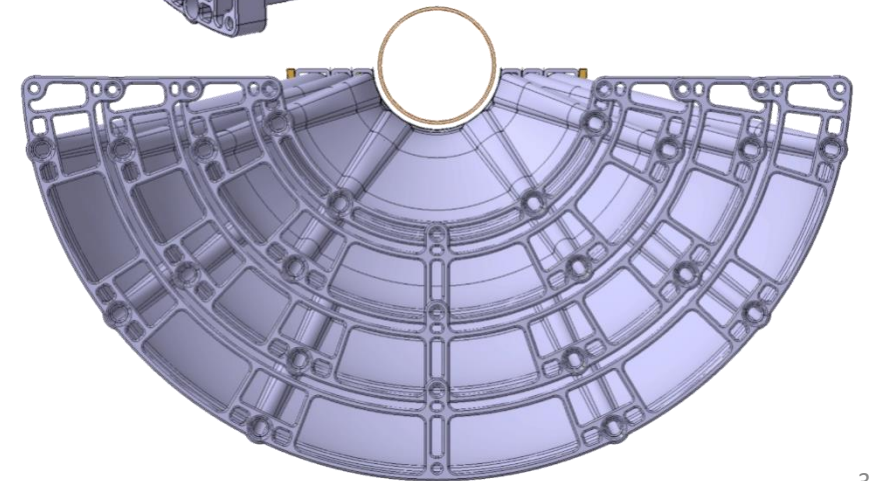
Transition from $\text{Ø}4\text{-}6$ mm pipe (same plastic pipe as ITS2) to maximum possible radius



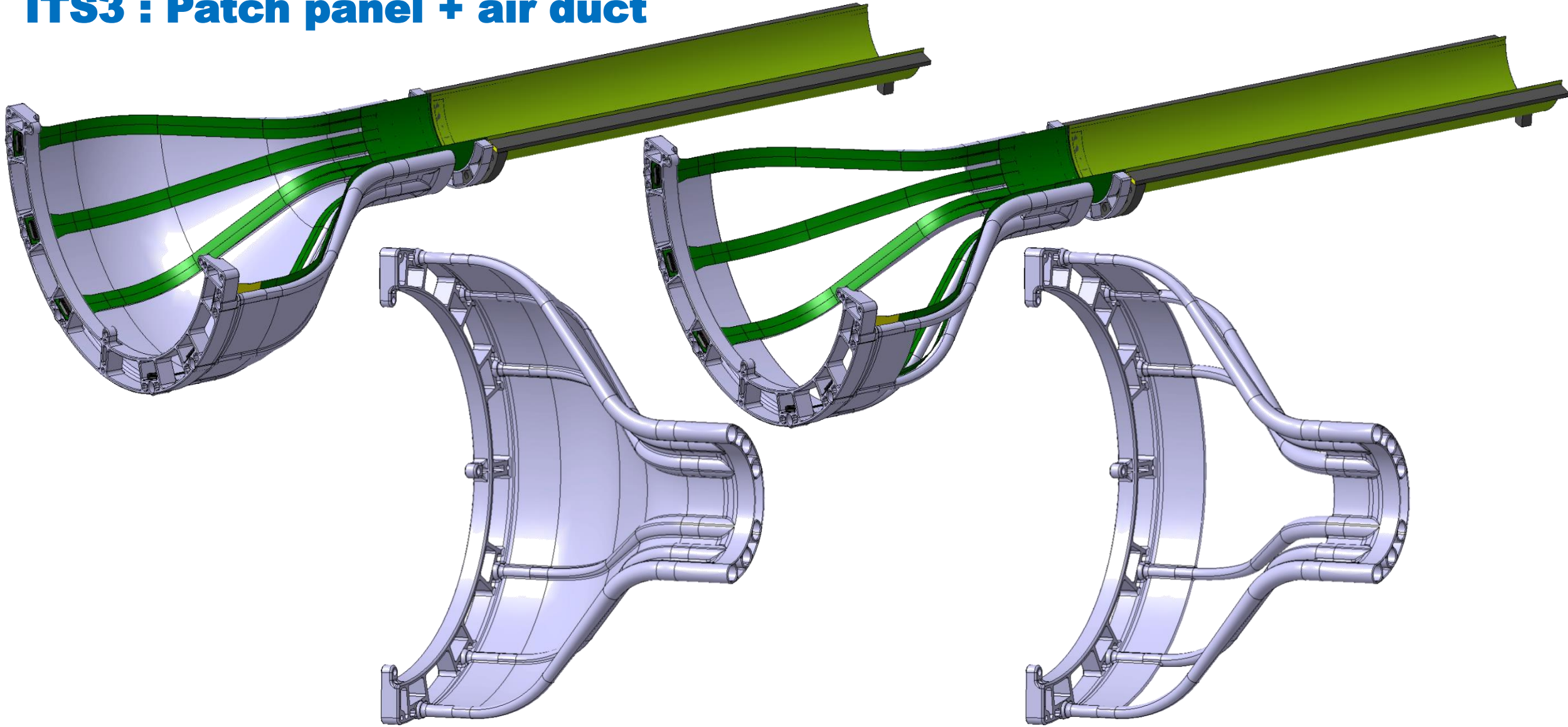
Beam Pipe air flow – L0 – L1 – L2



FPC half rings



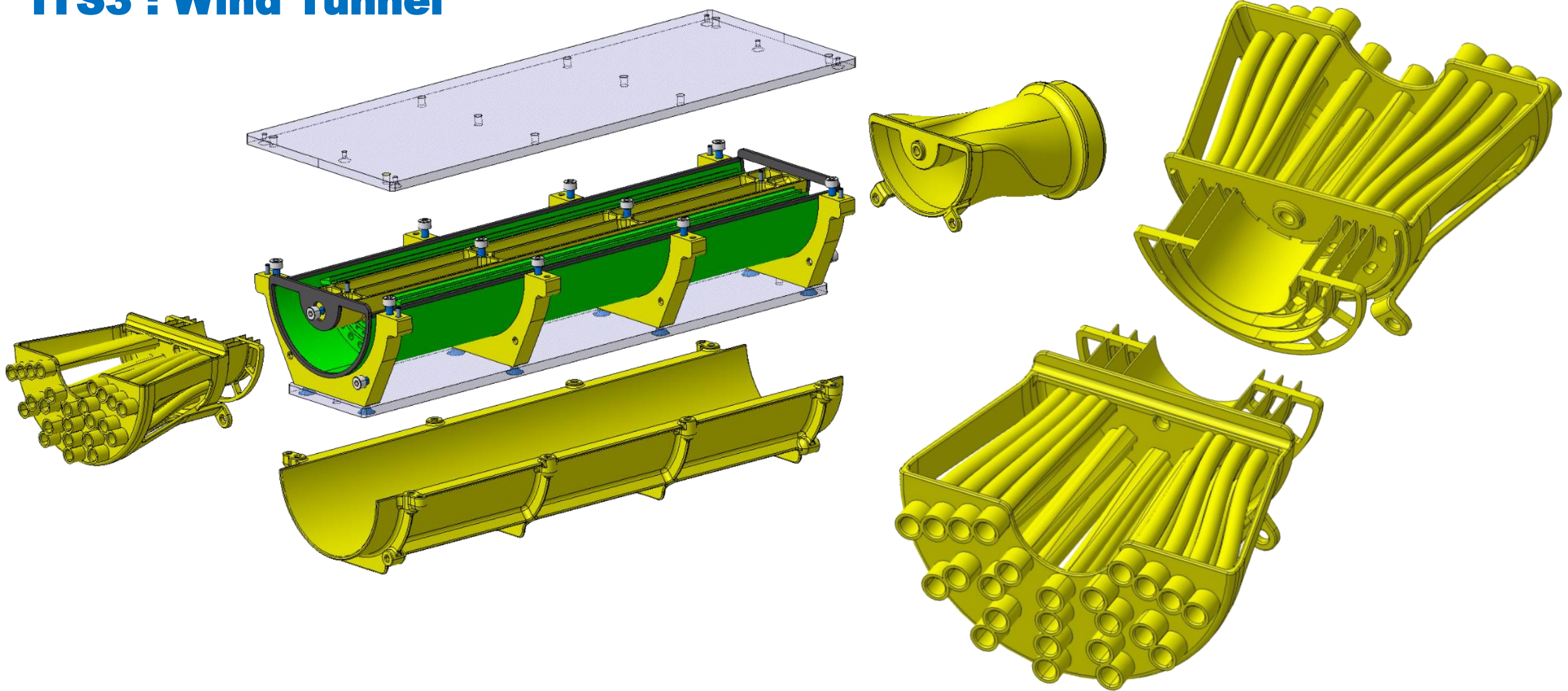
ITS3 : Patch panel + air duct



Full shell = rigid link between half ring and patch panel

Pipe only = flexible link (soft 3d printed material to be tested)

ITS3 : Wind Tunnel



Different air pipes configuration possible for each layers

ITS3 : Wind Tunnel set up

