



# Drag chain trials for cluster F

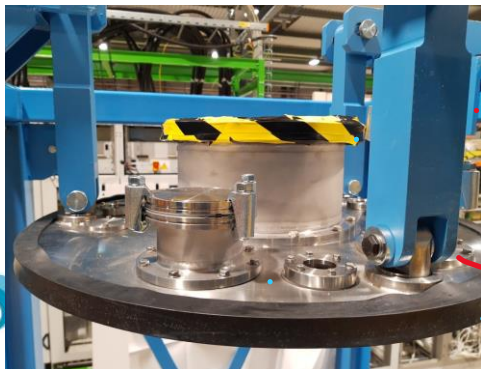
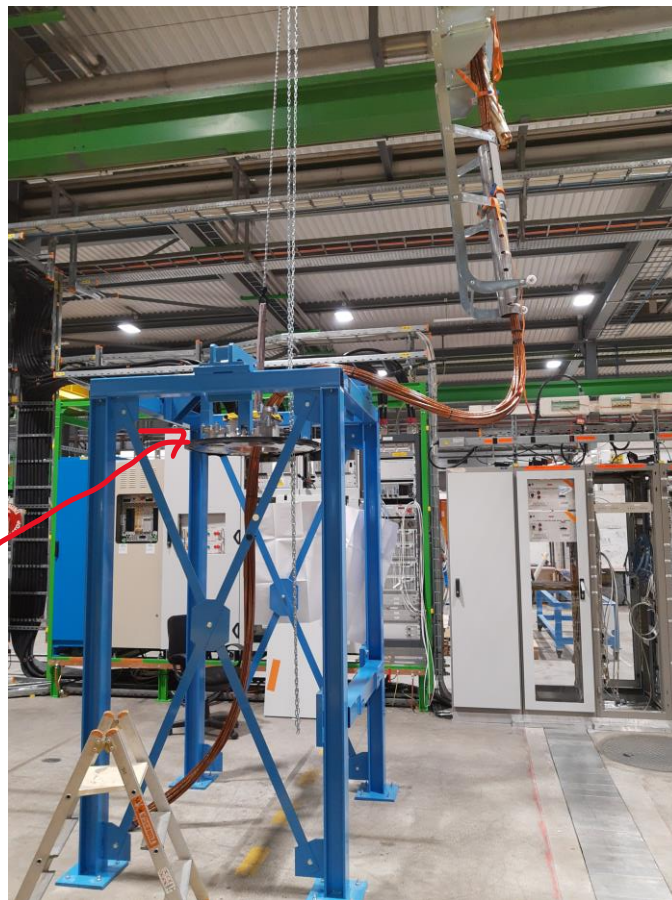
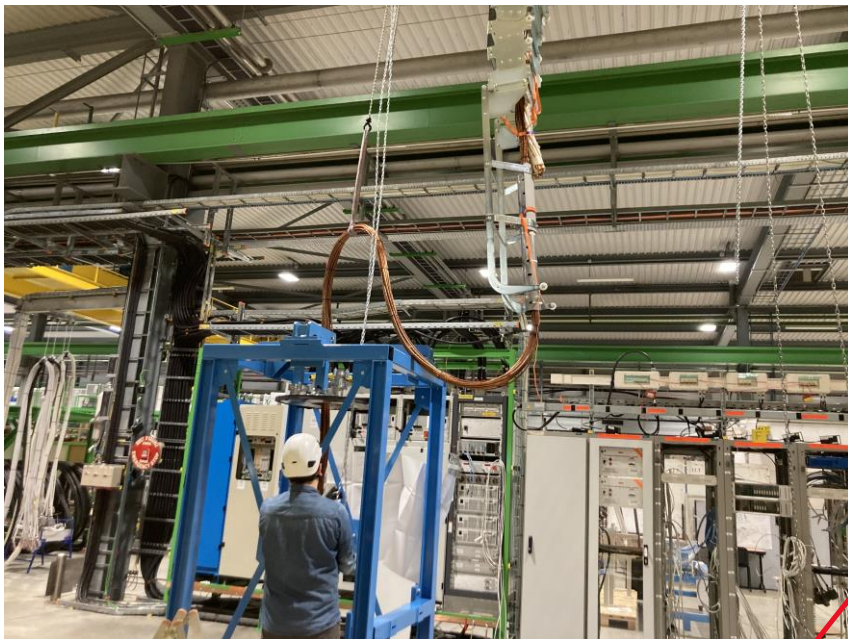
WP6a internal meeting 2022

Marcin Curylo

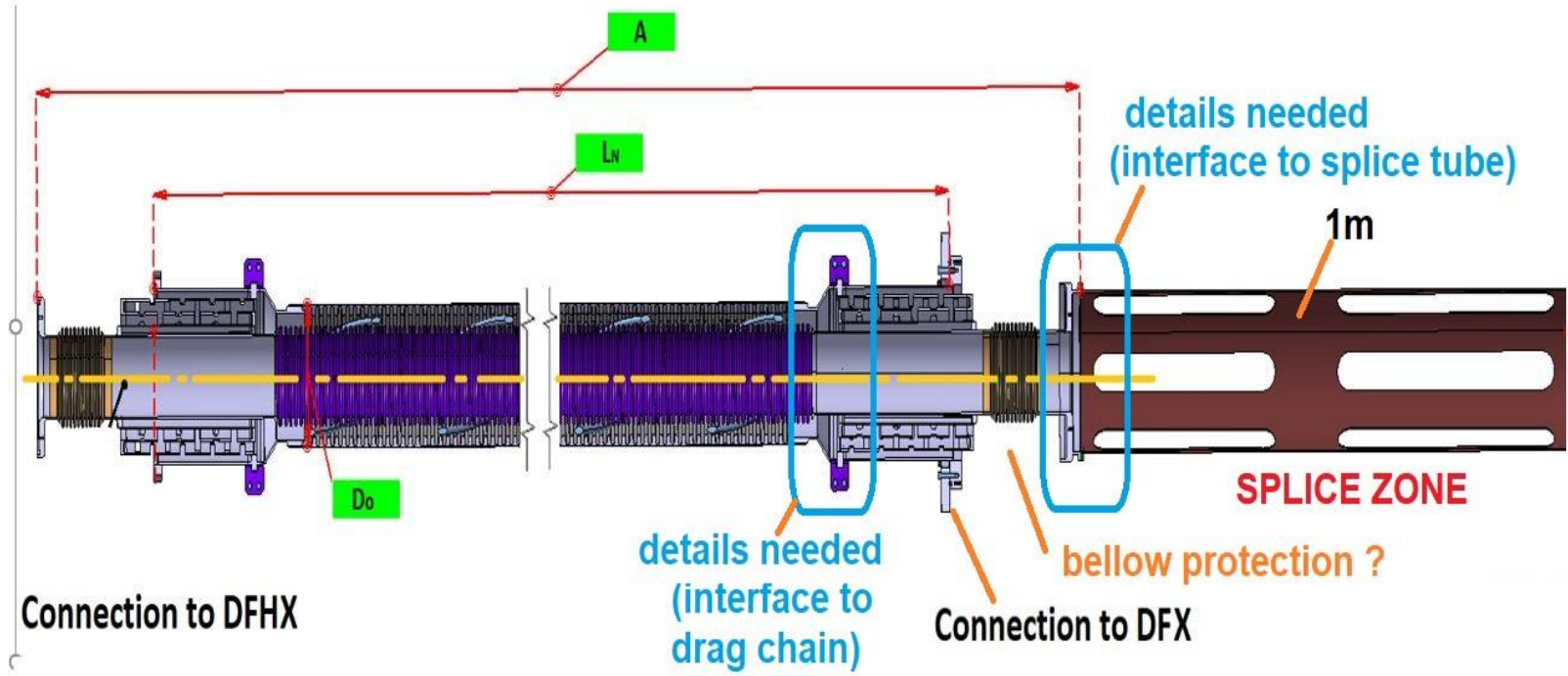
3 hoists (1 for cable, 2 lifting points for drag chain, )

Representation of  
6 m NbTi cable  
(~  $\Phi 72$  mm)





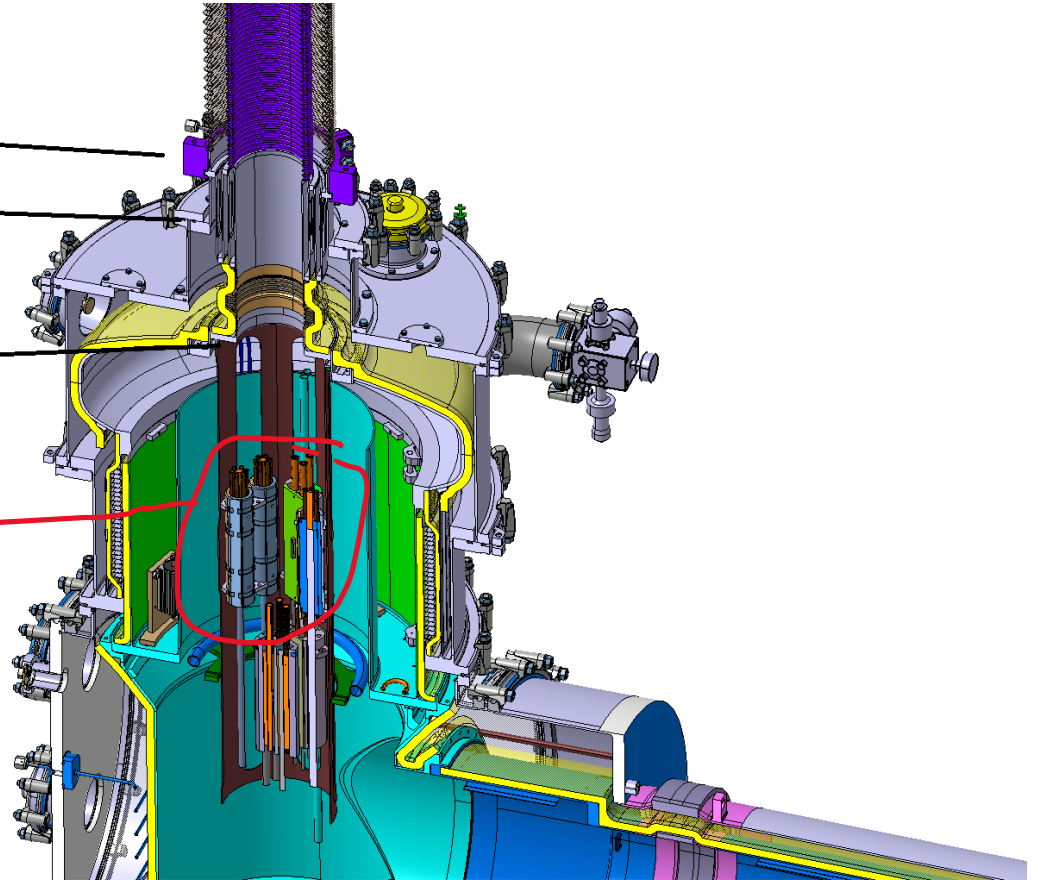
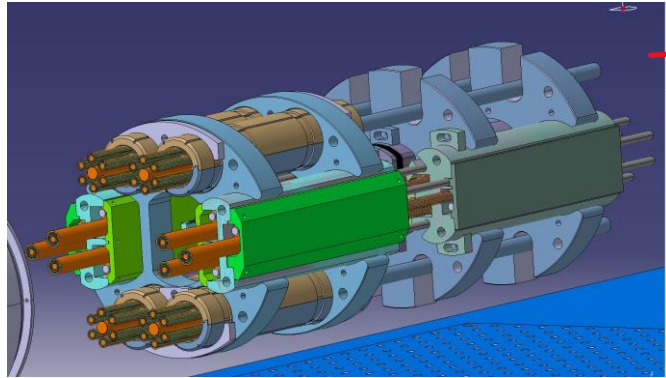
Interface top flange DFX

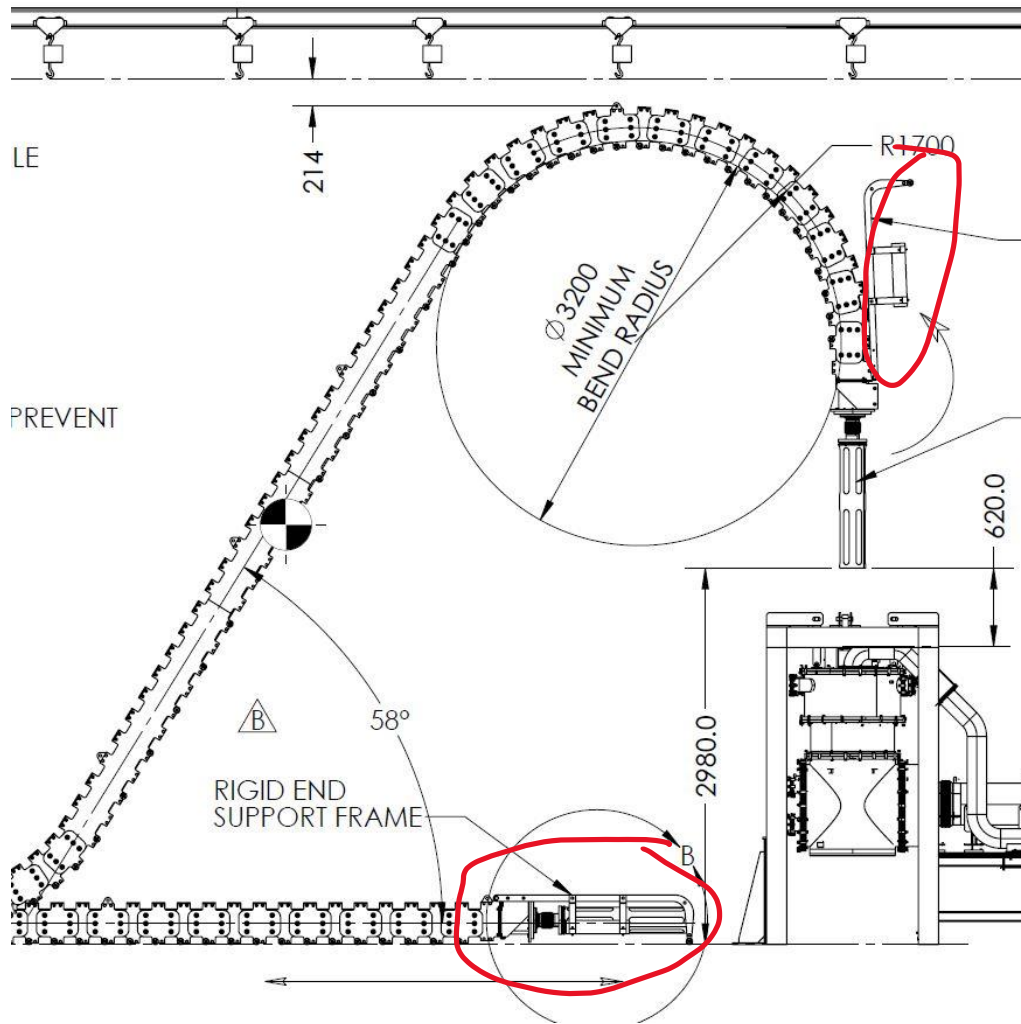


interface to drag chain

interface DFX

interface splice tube





Removal or new part

## Future steps:

- Drag chain termination modification (Erik ? )
- Interface between DSH cryostat and drag chain (to clarify)
- Connection tube for splice + reinforcement for bellows (Robin, Yann ?)
- Additional tools to keep bending radius of NbTi cable  
( min. bend. Radius  $\Phi$  300 mm ? )