



X-Band BOC Cavity

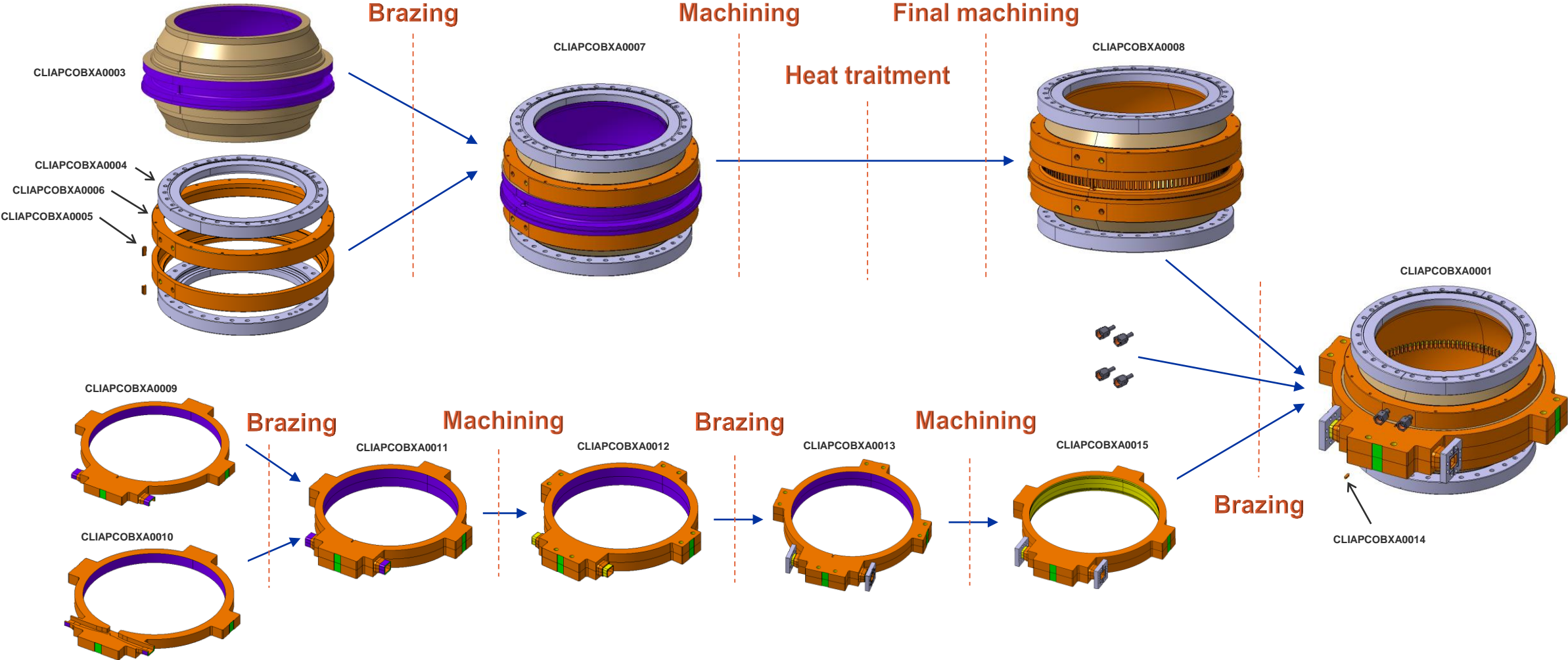
Design review

Fabrication sequence

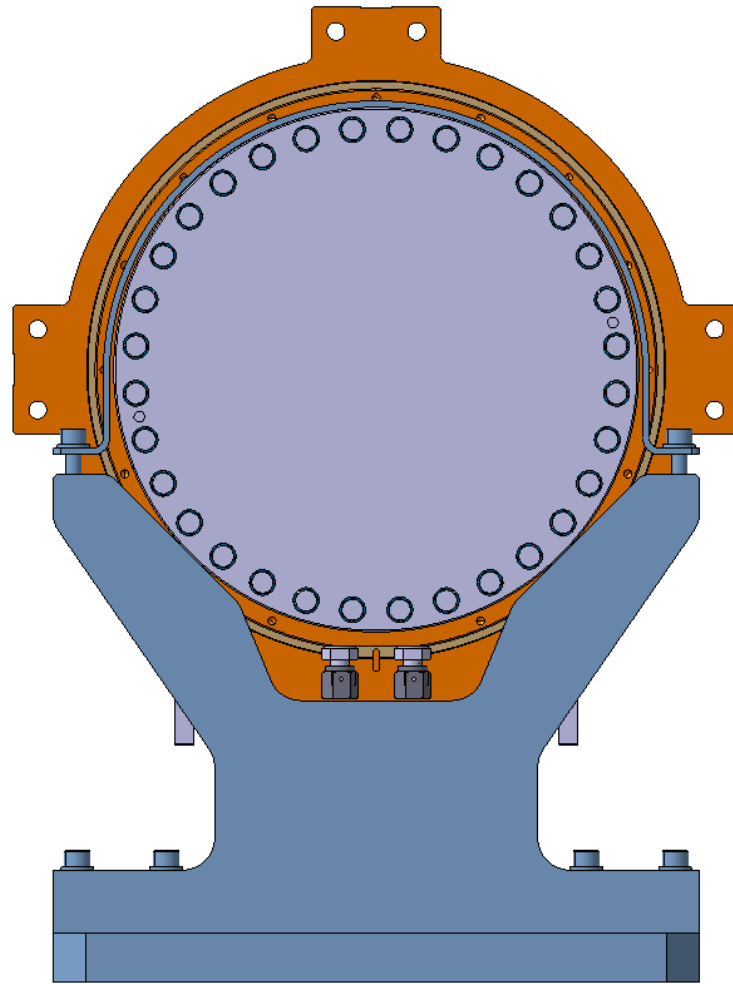
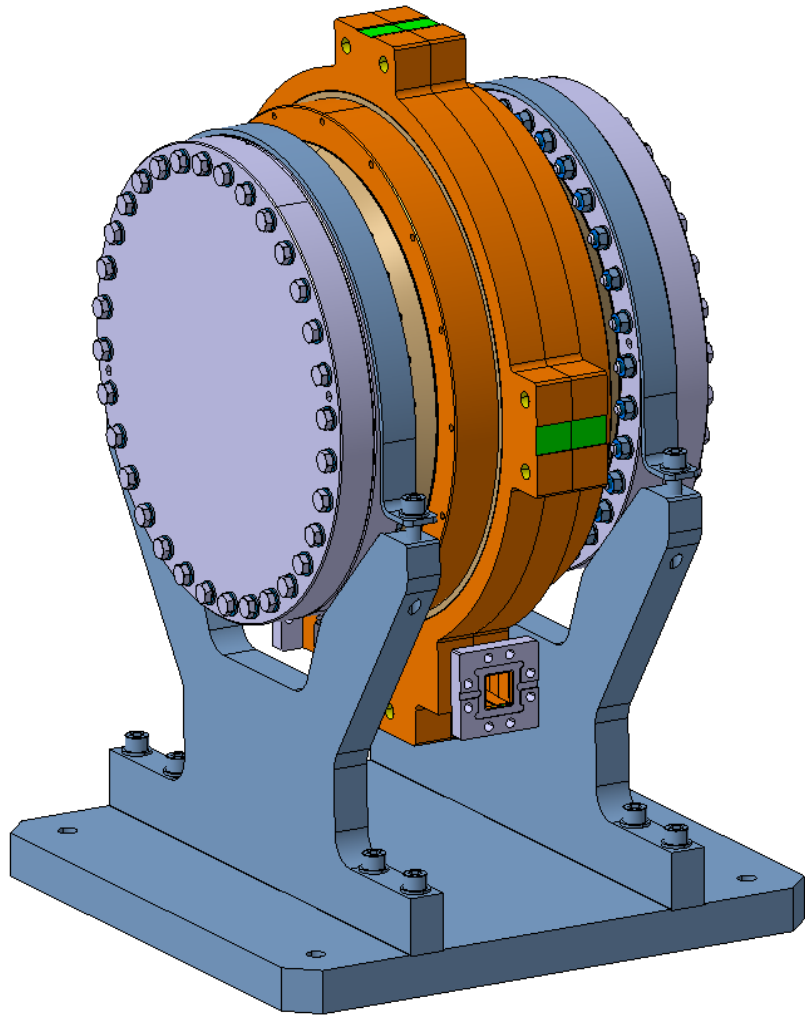
E.Berthomé – EN/MME

2022-06-08

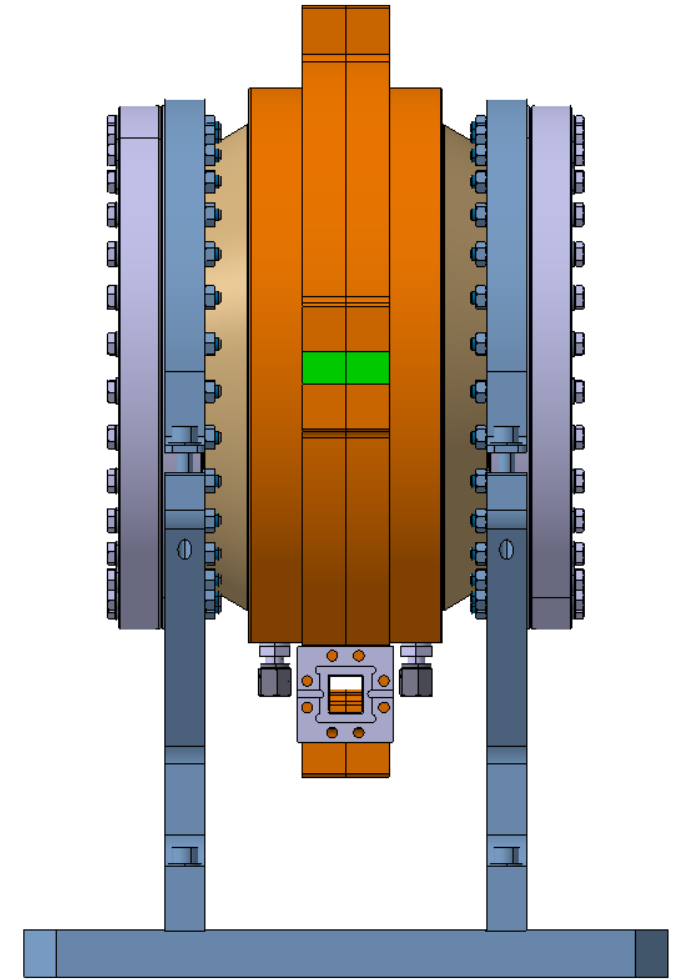
General overview of fabrication sequence



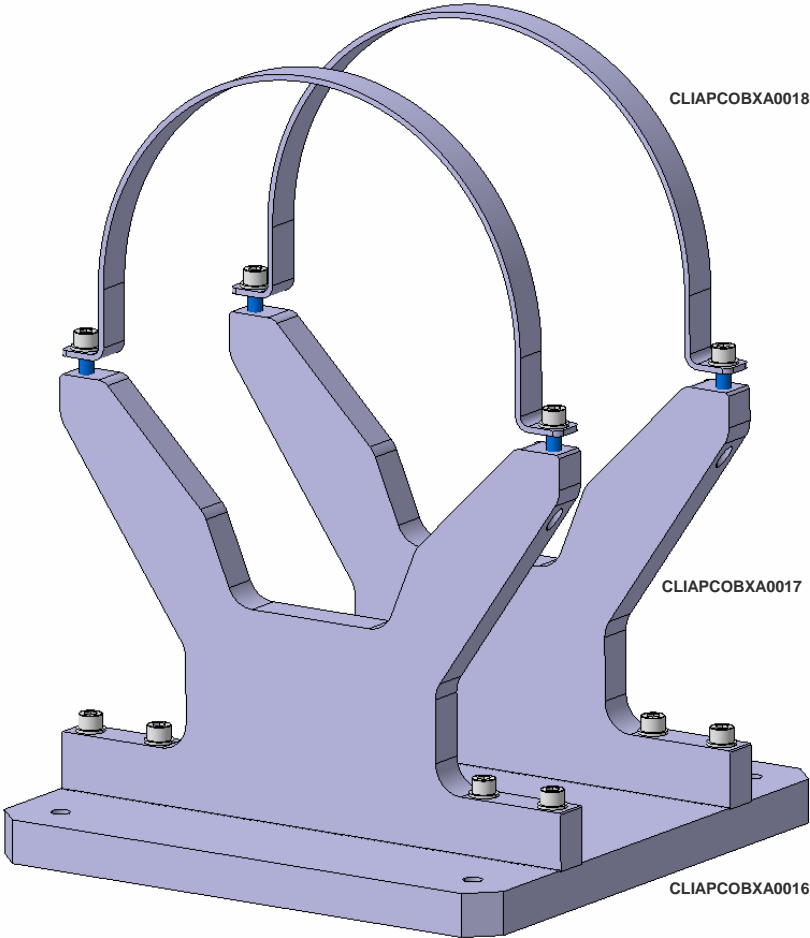
Design of cavity support

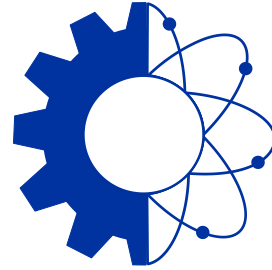
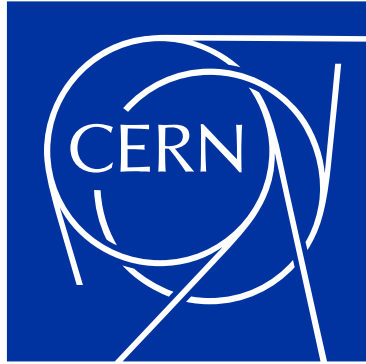


CLIAPCOBXA0002



CLIAPCOBXA0019





**ENGINEERING
DEPARTMENT**

home.cern