

MICE CM29

Schedule Summary



- *Schedule reconstruction*
- *A difficulty.....*
- *Provisional schedule*
- *What can we do?*

Andy Nichols, STFC, 17th February 2011



Schedule

- *Now established that MICE goes straight to Step IV, but with additional solid absorber programme*
- *So will only discuss Step IV schedule today*
- *Futile at this stage to worry that much about Step V due to uncertainties with CC*
- *MPB last September: liked our famous schedule cartoon, but requested more detail of subsystem delivery dates, propose another version, see later*
- *Request made in advance to subsystem owners for input to Tuesday's TB schedule discussion*
- *Almost 100% response, many thanks indeed, got some meaningful information*

A difficulty....

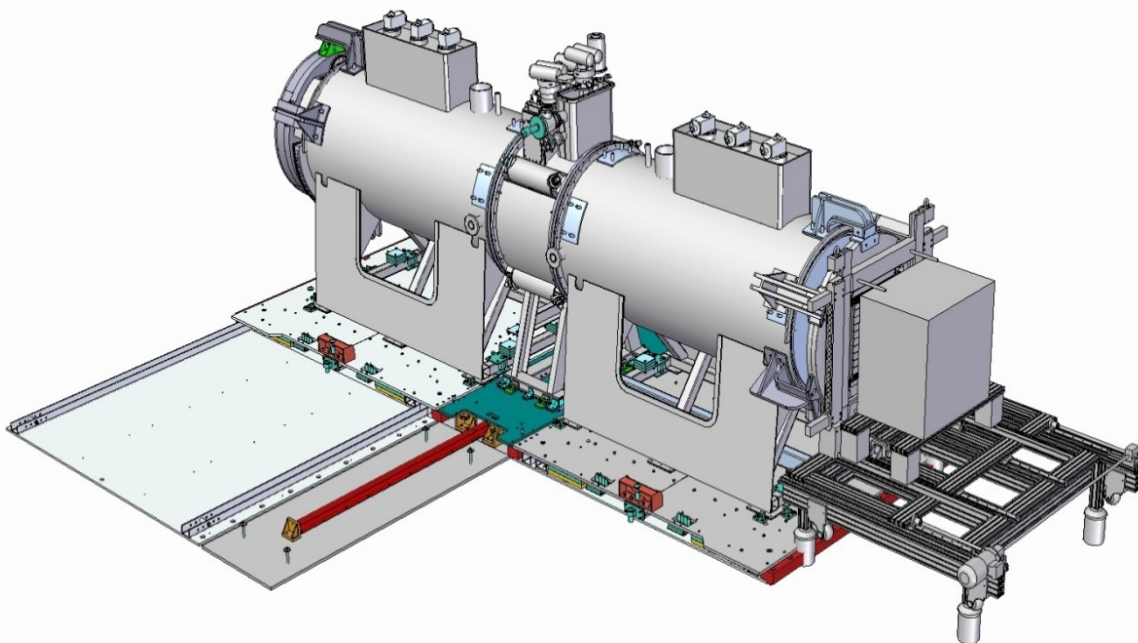
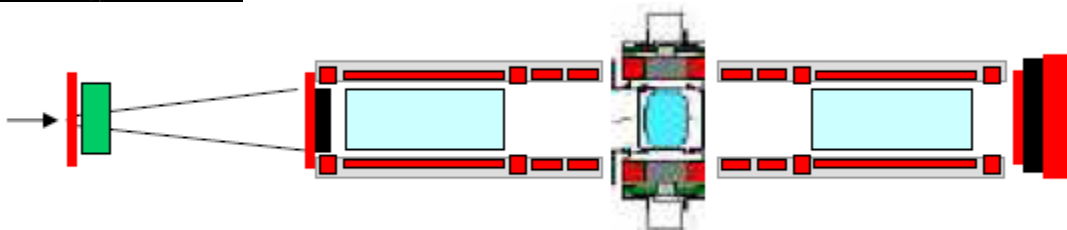
- *As I've said many times:*
 - *Our schedule is dependent on only a few big dates:*
 - *For Step IV it's the SS & AFC modules*
- *The SS:*
 - *In depth review in October, very useful outcome*
 - *Re-organisation of project is welcome, but is 'hot off press', not clear yet of input to/effect on schedule*
 - *Very glad to see the team has been reinforced in critical areas*
 - *Cannot define final SS schedule until*
 - *Quench analysis completed*
 - *MAP has converged*
 - *Wang's schedule input received*
 - *We have revised schedule from Roy/Steve, will use that, but with qualification for now*

A difficulty....

- AFC:
 - *The first absorber is effectively ready to use*
 - *But the FC module is worry*
 - *The delivery is scheduled for July, 2011, but hard to see how it'll work out:*
 - *Coil winding not yet started*
 - *Tesla need time to recover after staffing difficulties*
 - *More regular monitoring from MICE would help*
 - *These are all being progressed actively*
- *For these reasons, our top-level schedule must remain 'provisional'*
- *We must be ready for the MPB on June 28th with the public version*
- *Need to dedicate two MICO meetings before that date to agree final schedule detail*



STEP IV



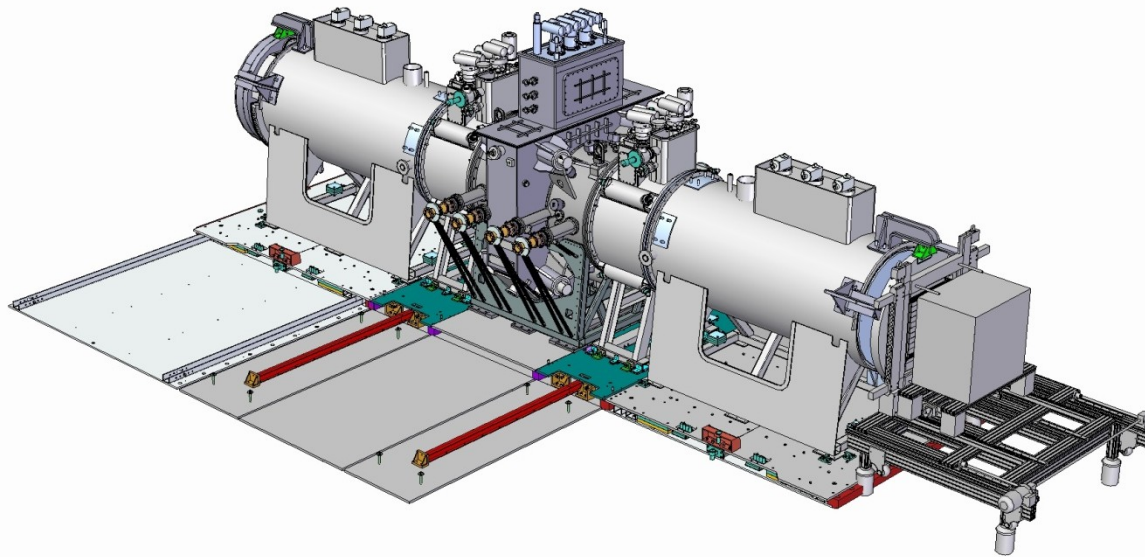
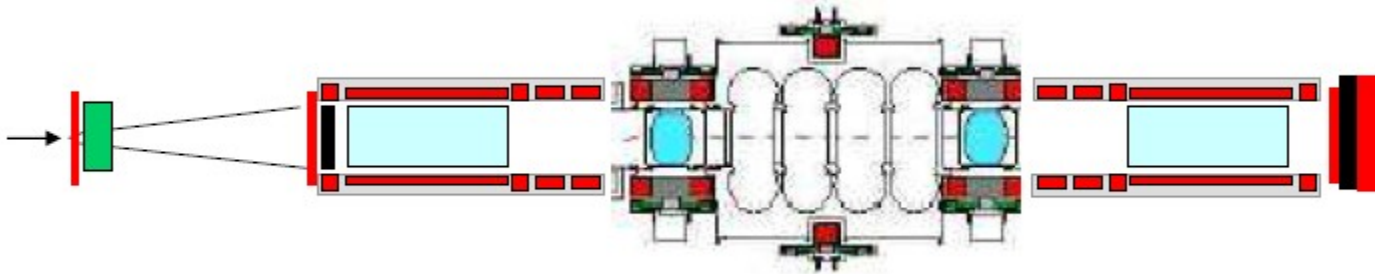
Component	Date
Spectrometer solenoid #1 + #2	April'12
Fibre tracker #1 + #2	Ready
Focus coil #1	July'11*
LH ₂ delivery	Dec '11
Solid absorber	??
Liquid absorber	Ready
Diffuser	June'11
Virostek plate	??
Substation upgrade	June'11
EMR installation	Dec'11
Radiation shutter	??
AFC Moving platform #1	July'11

Step IV ready...Q3, 2012





STEP V

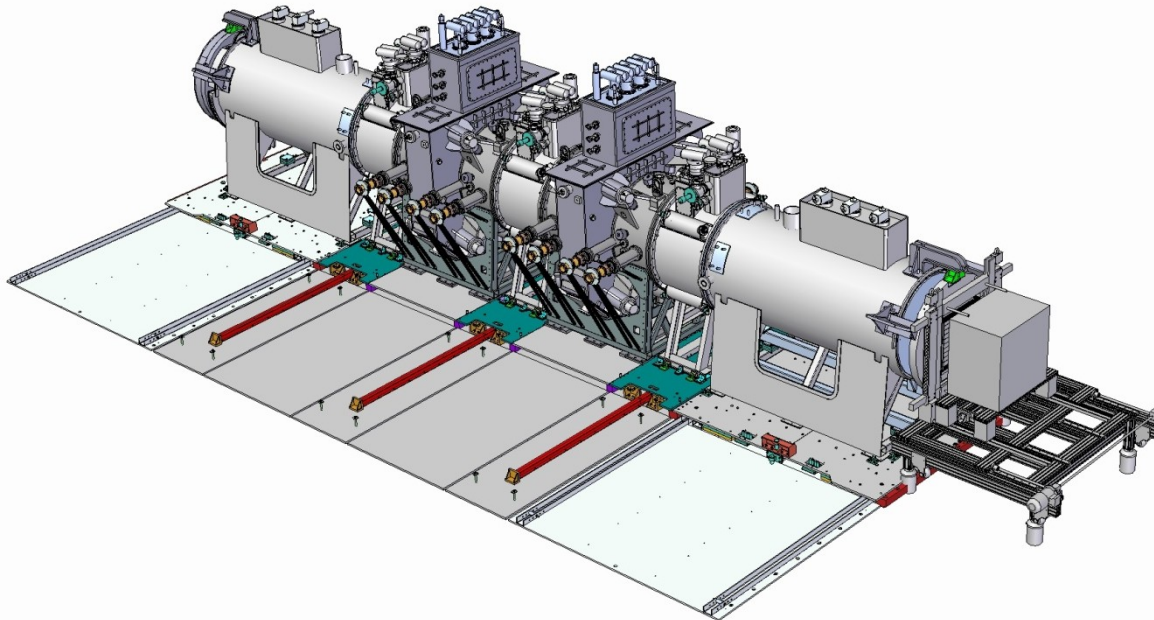
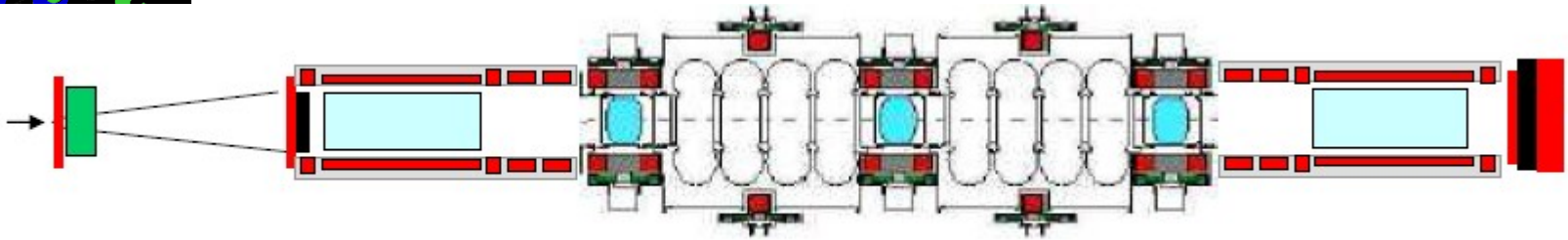


Component	Date
Focus coil #2	
RF Amplifiers	
RF Infrastructure	
RFCC #1	
AFC Moving platform #2	
RFCC Moving platform #1	

Step V ready... 201x



STEP VI



Component	Date
Focus coil #3	
RFCC #2	
AFC Moving platform #3	
RFCC Moving platform #2	

Step VI ready... 201x

What can we do?

- Q3, 2012, may well be uncomfortable, but it's based on ever more solid schedule and risk information
- If we don't like it, we've got to do something about it:
 - Things are moving in the right direction, SS programme, for example is making good progress
 - Reinforce staffing in the right areas – this is happening where possible, often under difficult circumstances
 - Work in parallel more – this will be almost essential at RAL; we might get three major magnets within a few months of each other
 - Crucial that we duplicate installation staff and space
 - KL/AN have started rocking the boat.....