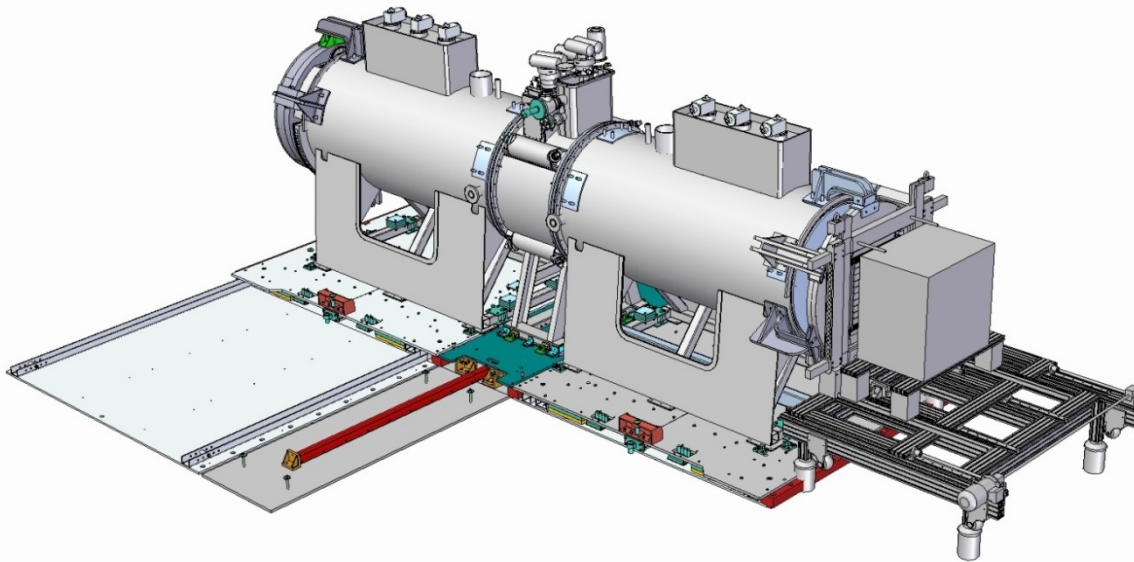


STEP IV



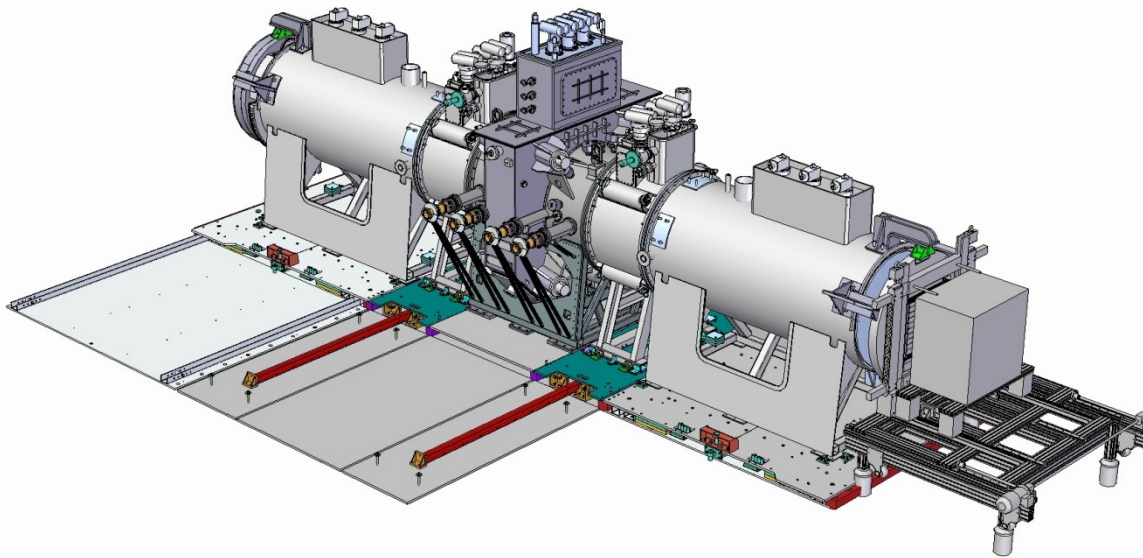
Step IV ready... 201x

Component	Date
Spectrometer solenoid #1 + #2	
Fibre tracker #1 + #2	
Focus coil #1	
LH ₂ delivery	
Solid absorber	
Liquid absorber	
Diffuser	
Virostek plate	
Substation upgrade	
EMR installation	
Radiation shutter	
AFC Moving platform #1	





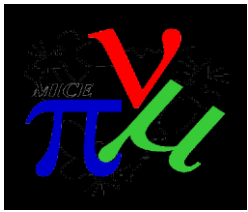
STEP V



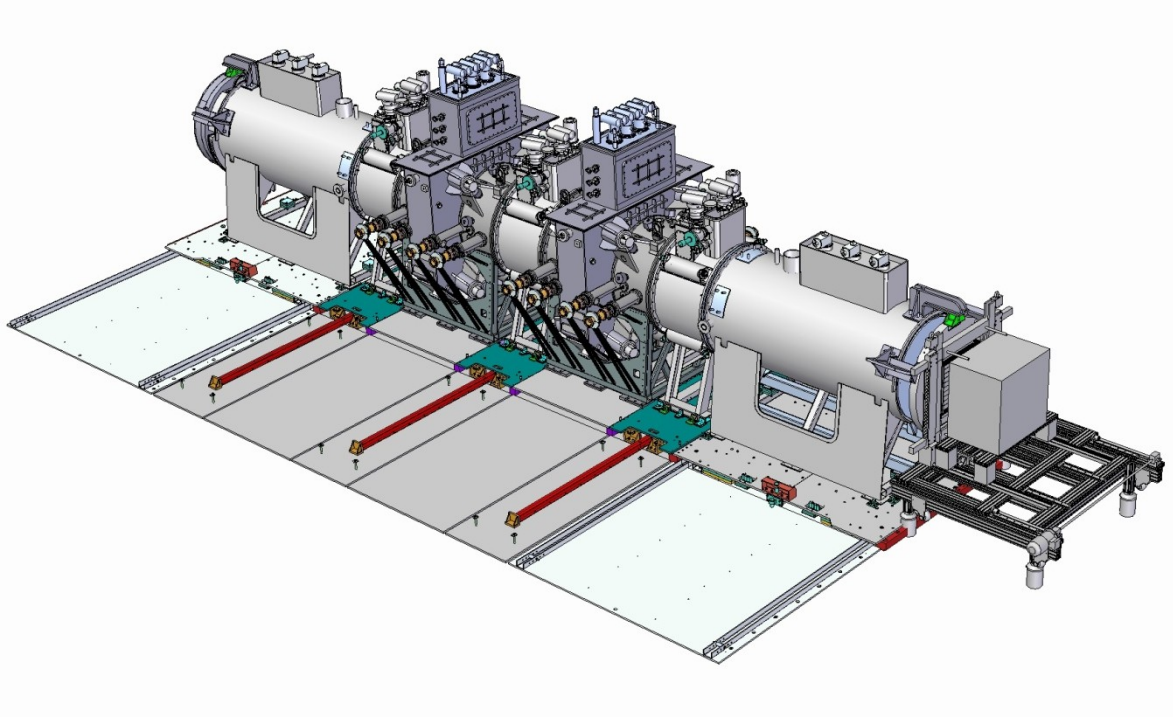
Component	Date
Focus coil #2	
RF Amplifiers	
RF Infrastructure	
RFCC #1	
AFC Moving platform #2	
RFCC Moving platform #1	

Step V ready... 201x





STEP VI



Component	Date
Focus coil #3	
RFCC #2	
AFC Moving platform #3	
RFCC Moving platform #2	

Step VI ready... 201x

