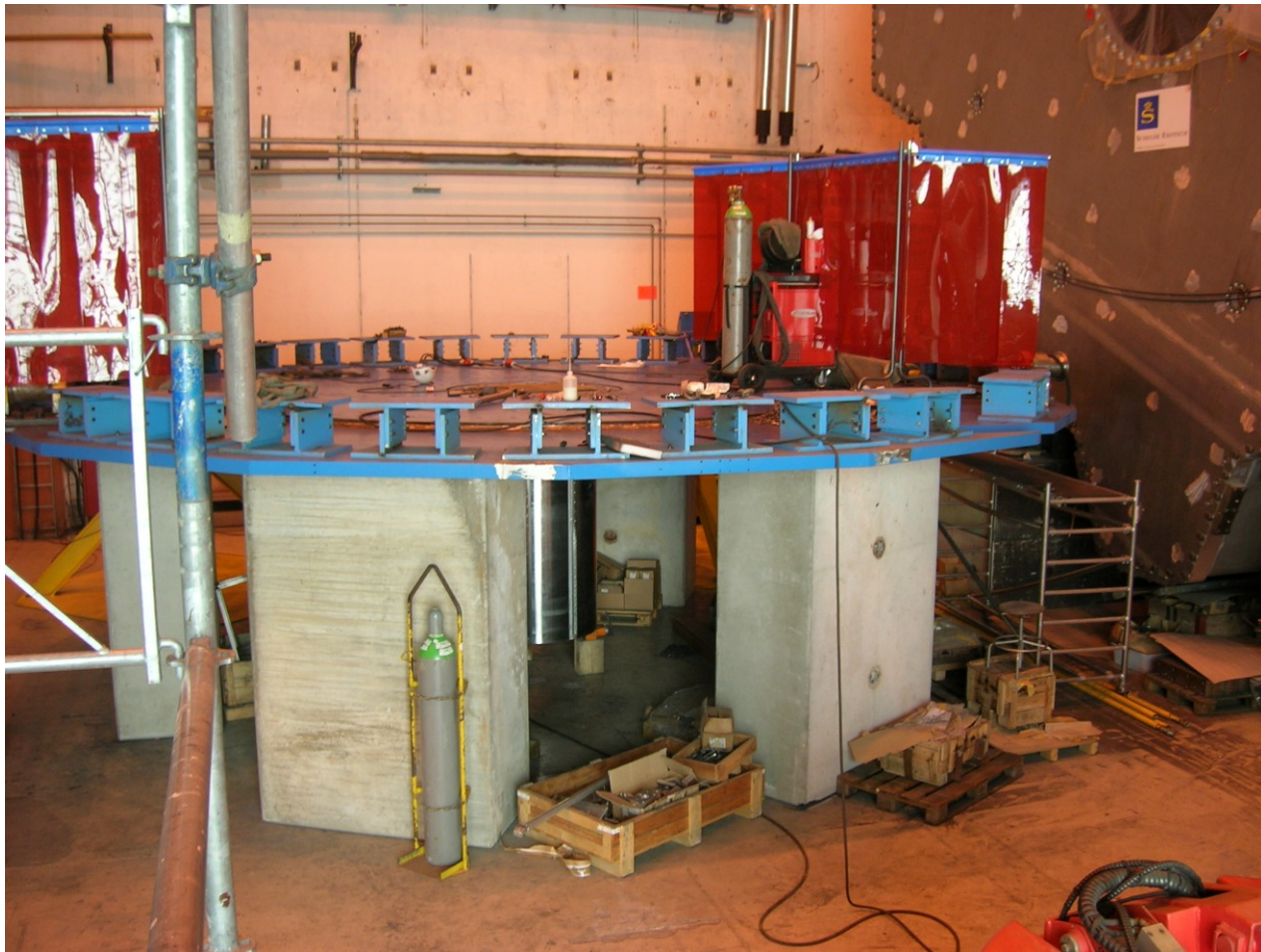


Shape and Location of the JD

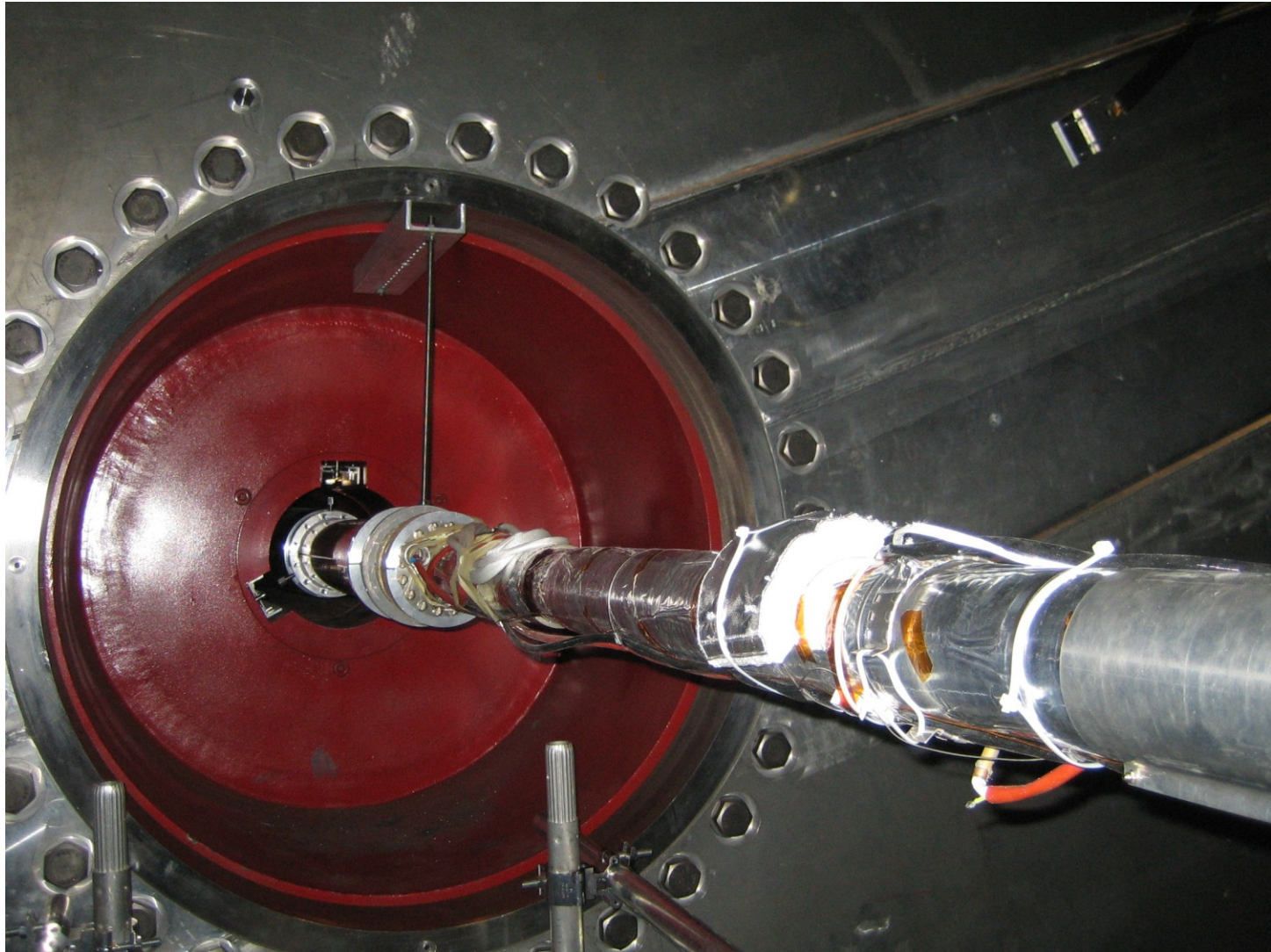
Jim Bensinger
December 16, 2010

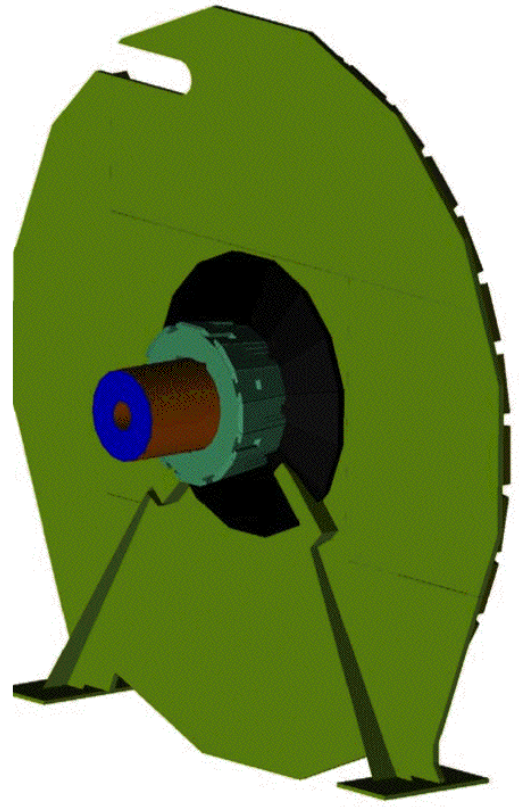
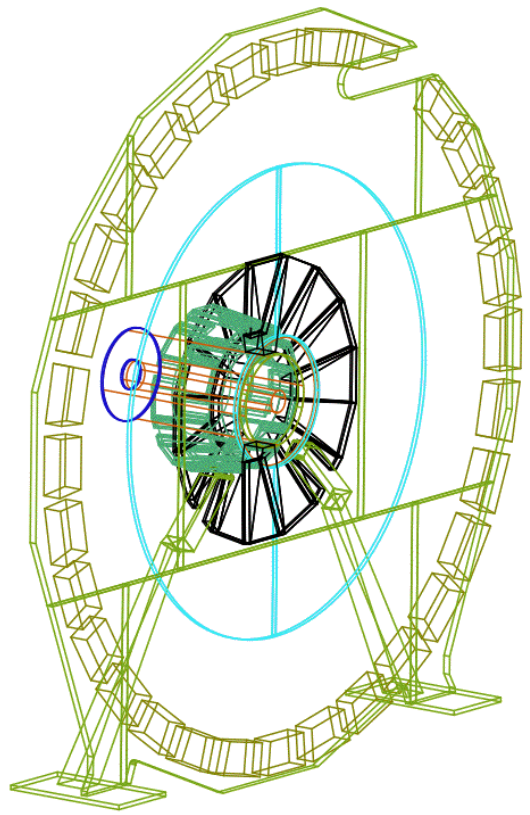
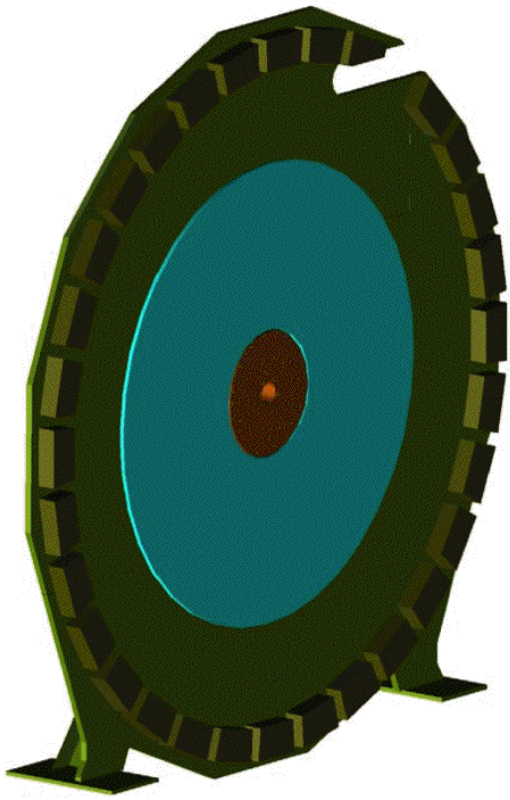
Some Pictures of the Pieces

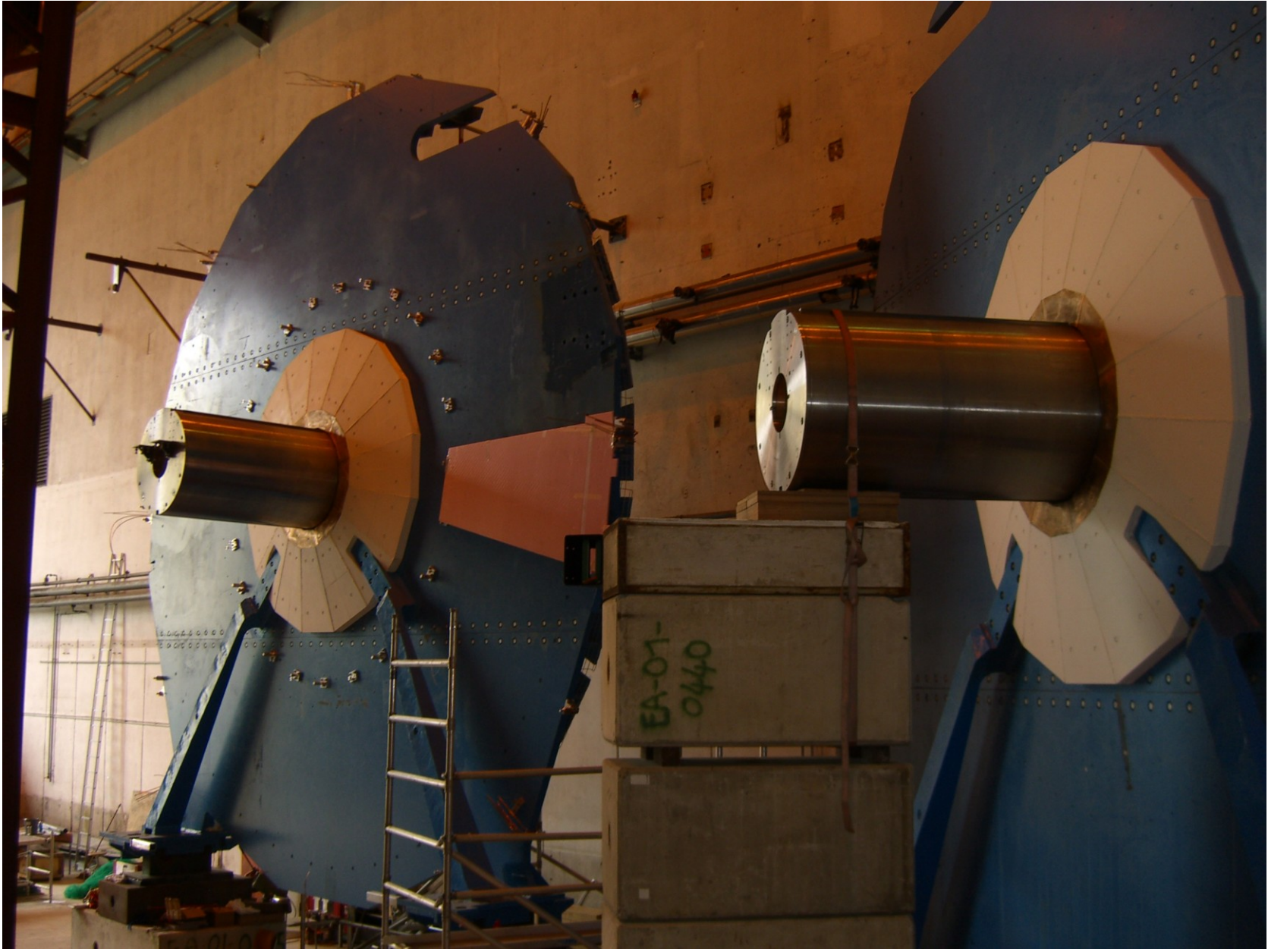




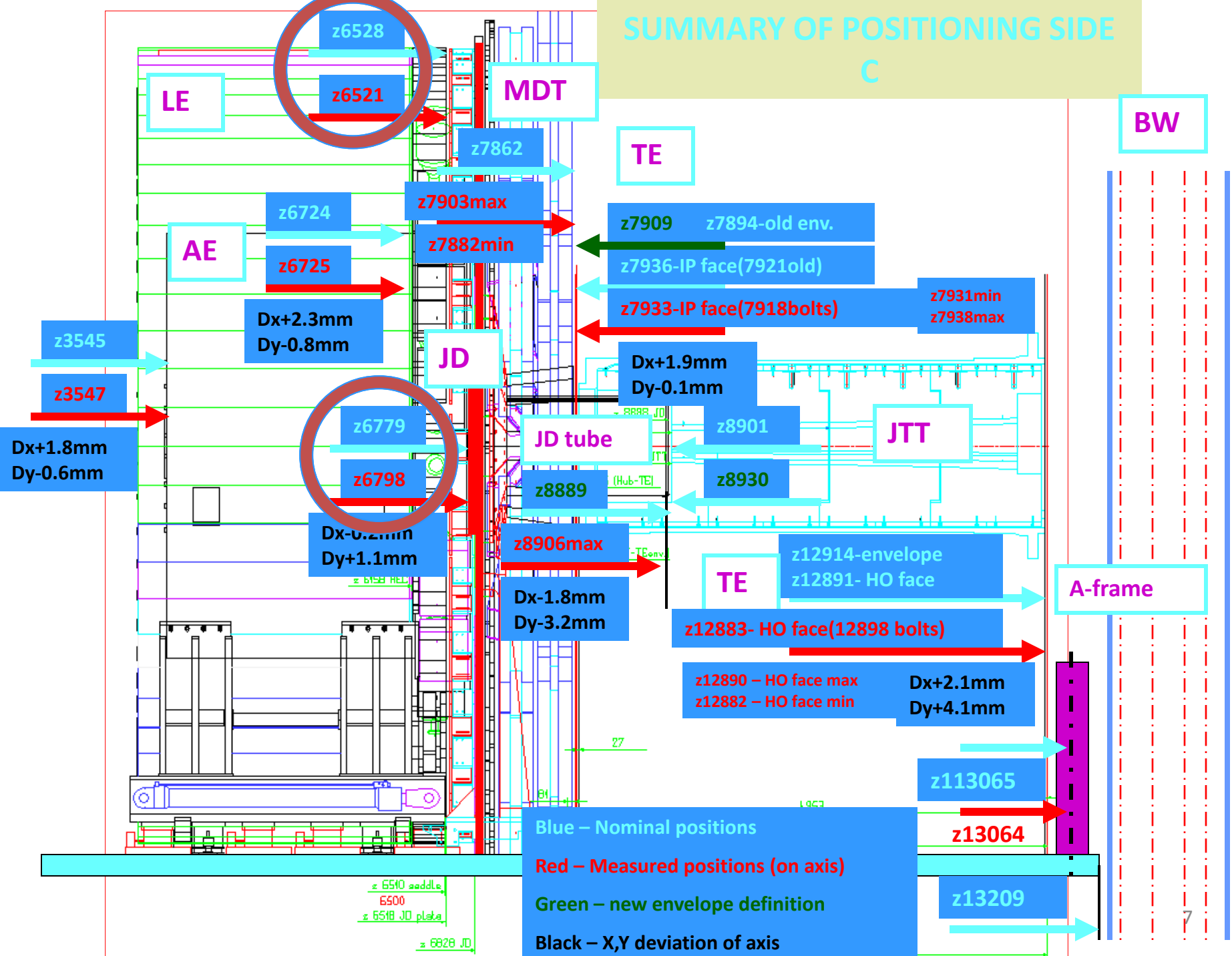
Beam Pipe





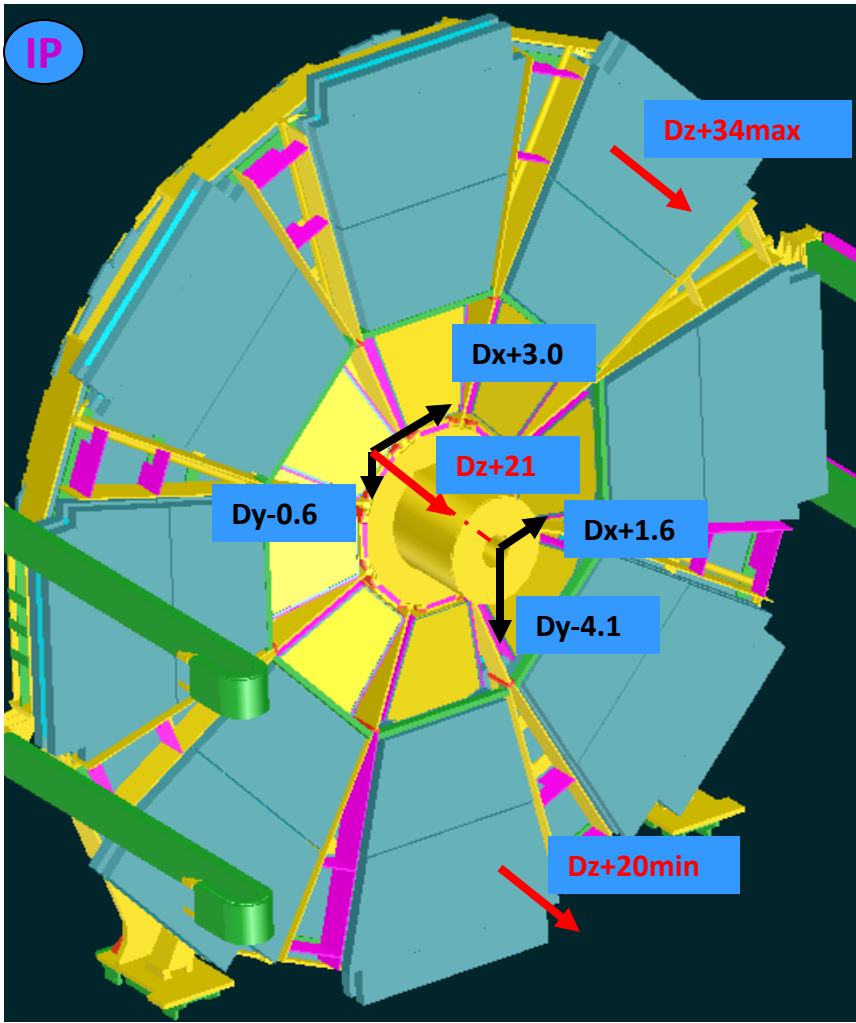
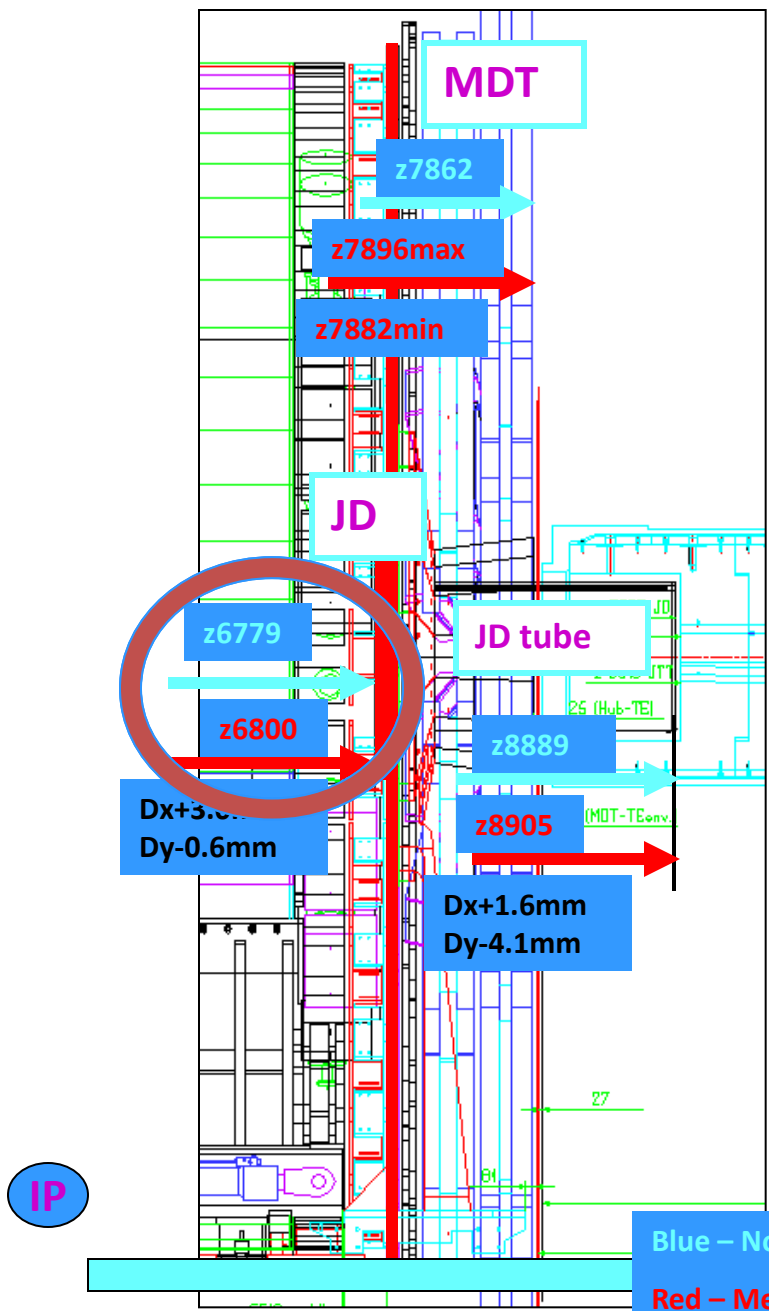


SUMMARY OF POSITIONING SIDE C



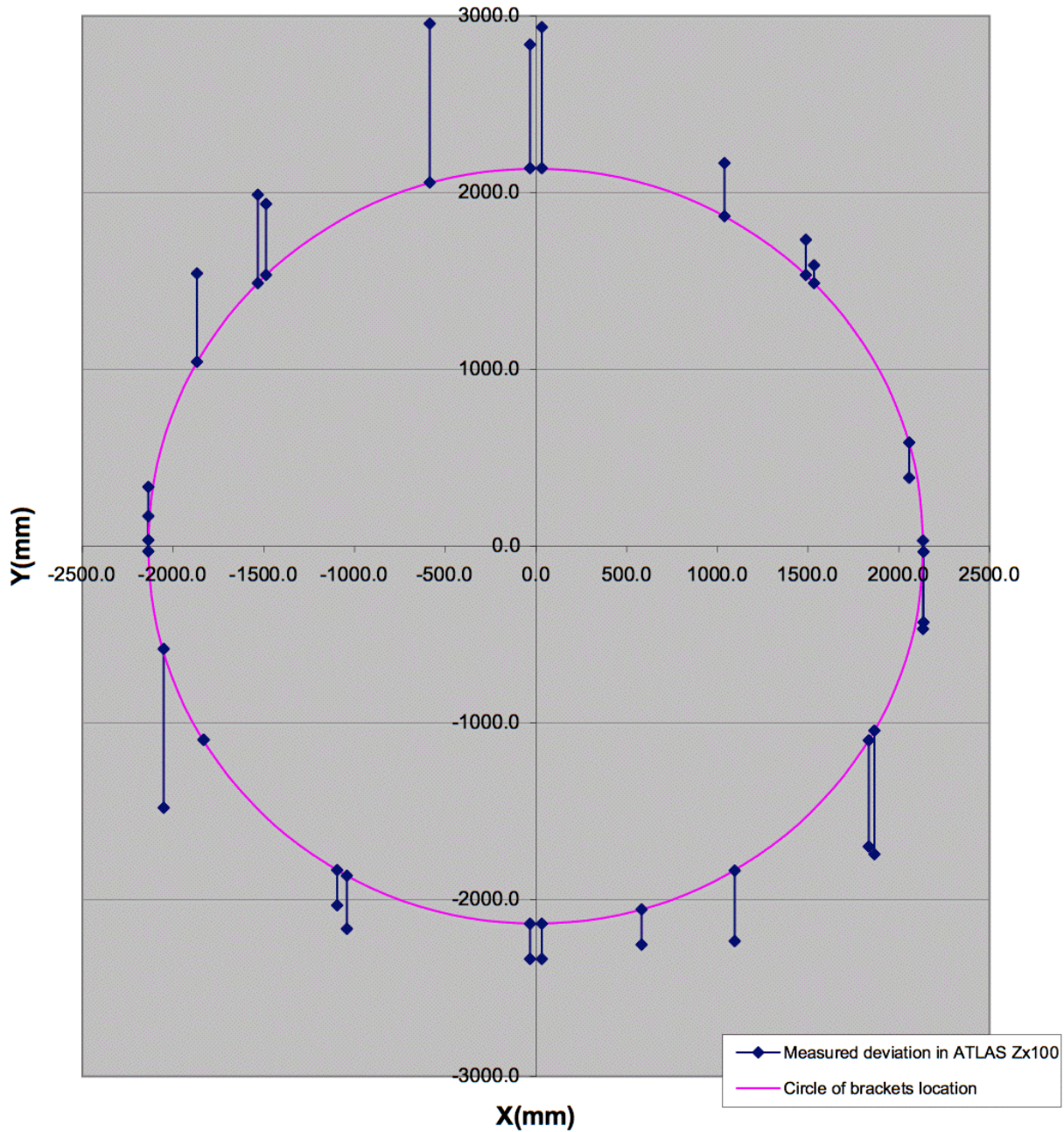
JD&SW POSITION SIDE

A



Blue – Nominal positions
 Red – Measured positions (on axis)
 Black – X,Y deviation of axis

Measurement of Brackets for TGC_A Chamber Fixation



Measurement of Brackets for TGC_C Chamber Fixation

