



Upcoming Tenders at CERN

United Kingdom @ CERN

Daniel Schoerling

Procurement for Accelerators and Technology

30 November 2022

Supply of 36 Collimators

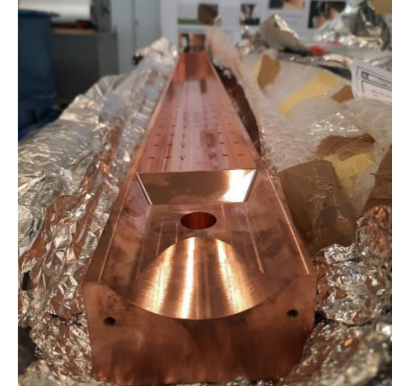
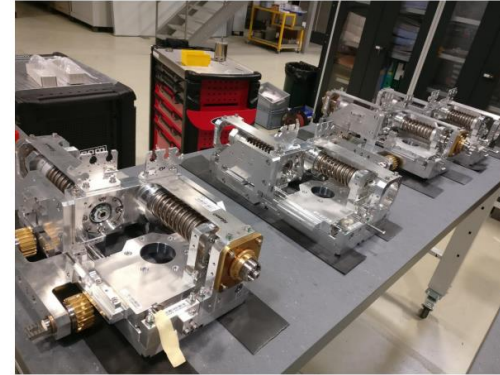
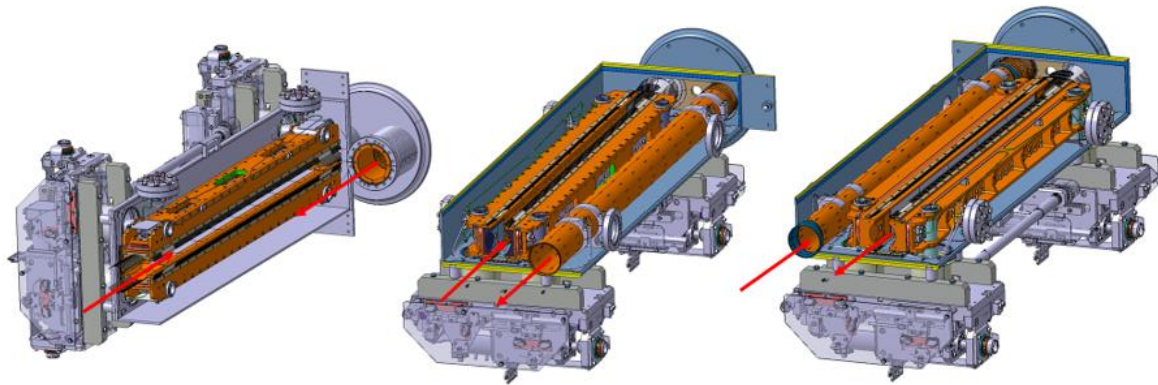
Procurement Code: 05.04.00.00

Cost Range : 750 k CHF ⇔ 5 M CHF

Planning: MS: Sent (MS-4810)

IT: Q4 2023

Contact: francois-xavier.nuiry@cern.ch



Description & Specific Condition :

Around LHC3 & 7 (Dumps) & Experiments

Brazing

Electron beam welding

Cleaning (UHV environments)

High precision machining

Qualification samples during MS phase

Supply of Roller Screws for Actuation Systems & Chains for UHV Flanges

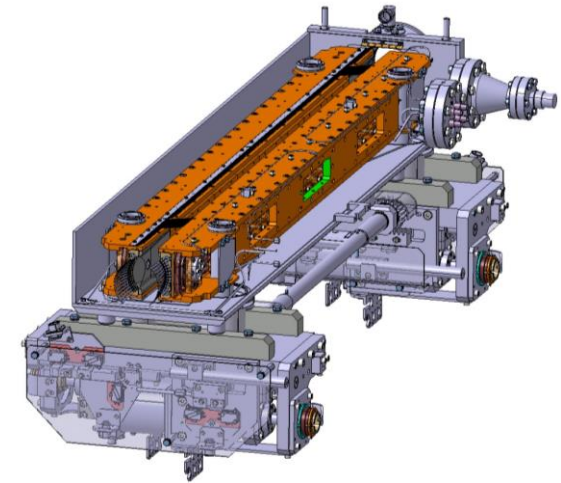
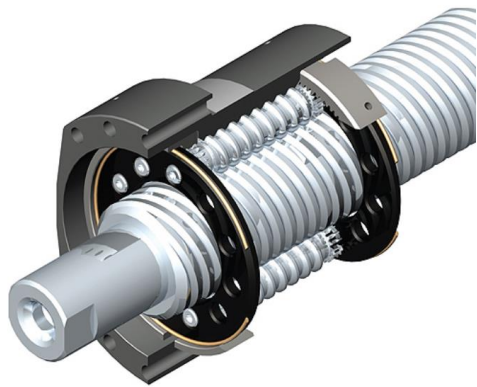
Procurement Code: 05.04.00.00

Contact: francois-xavier.nuiry@cern.ch

Cost Range : under assessment

Planning: MS: Q1 2023

IT: Q4 2023



Supply of 15 Masks for the Vacuum Chambers Protection

Procurement Code: 05.04.00.00

Contact: francois-xavier.nuiiry@cern.ch

Cost Range : under assessment

Planning: MS: Q2 2023

IT: Q4 2023

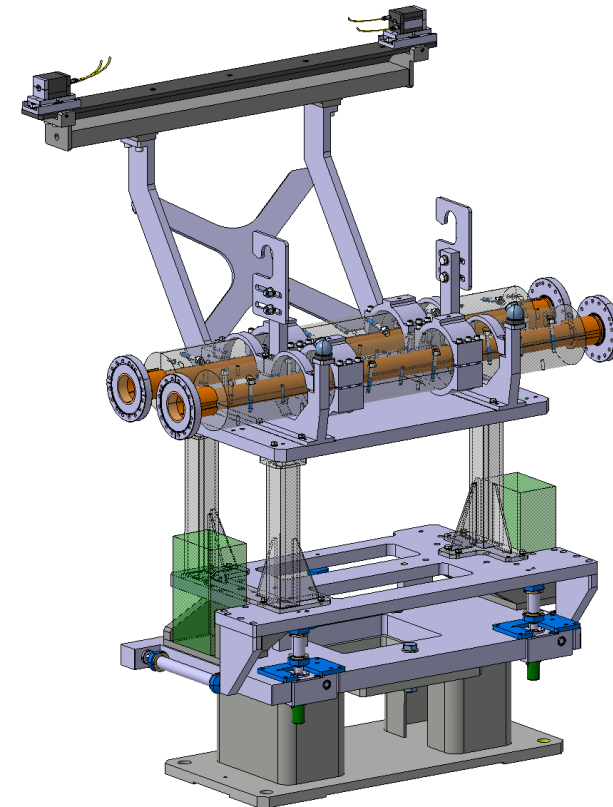
Description & Specific Condition :

Passive collimator – Protection for the magnets

Machined Tungsten blocs provided by CERN

Tolerances, Brazing

Copper, Inconel



Supply of materials for the HL-LHC TDE Dumps

Procurement Code: 05.04.00.00

Cost Range : 750 k CHF ↔ 5 M CHF

Planning: MS: Q2 2023 - IT: Q3 2024

Description & Specific Condition :

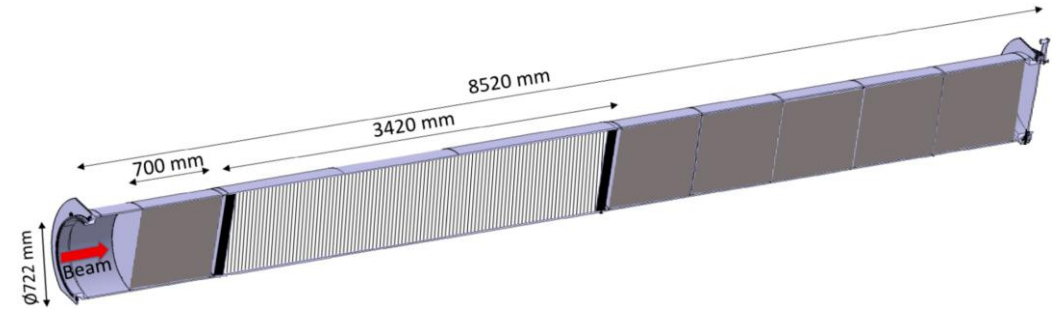
LHC3 & LHC 7

Graphitic materials

Isostatic Grade, CFC, Flexible Graphite

Vacuum vessels : 318 LN vs Titanium

Contact: Marco.Calviani@cern.ch



Assembly of 2 Cryostats at Sanford

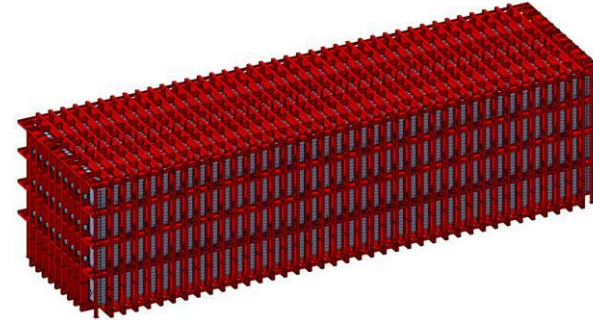
Contact: bjorn.jenssen@cern.ch

Procurement Code: 05.90.00.00

Cost Range : > 8 MCHF

Planning: MS: Q2 2023

IT: Q4 2023



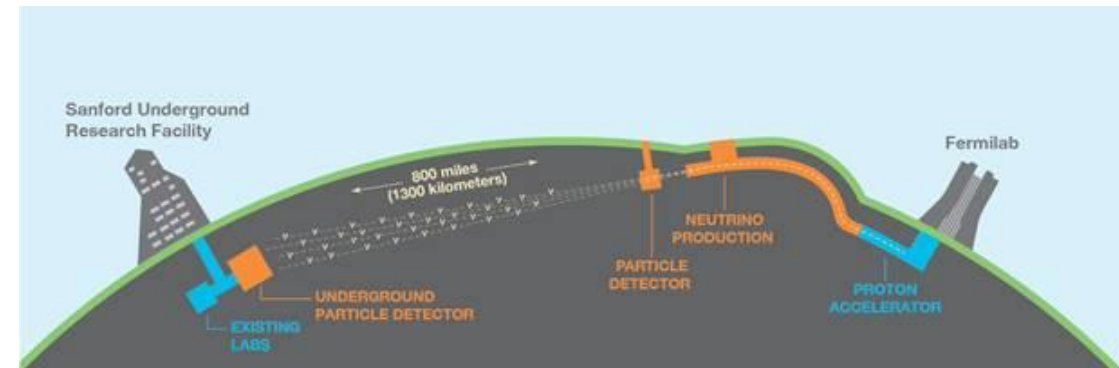
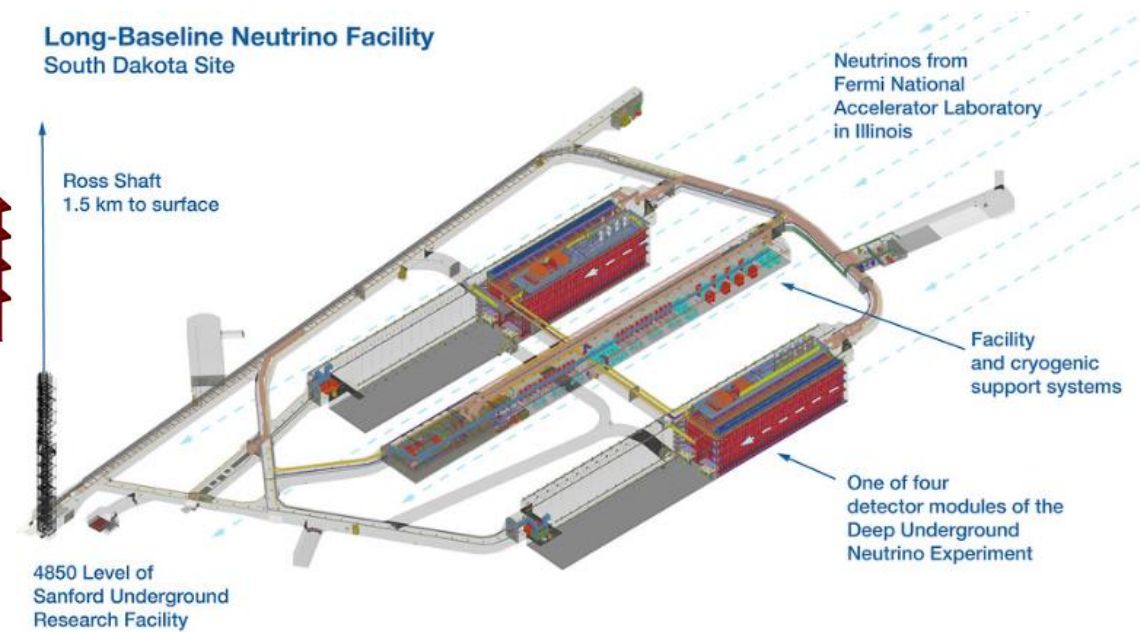
Description & Specific Condition :

Underground assembly (1500 m)

4600 Tonnes + 1820 steel plated (12 mm +1.8 x 3.6m)

Verification & positioning

Bolding & Welding of components

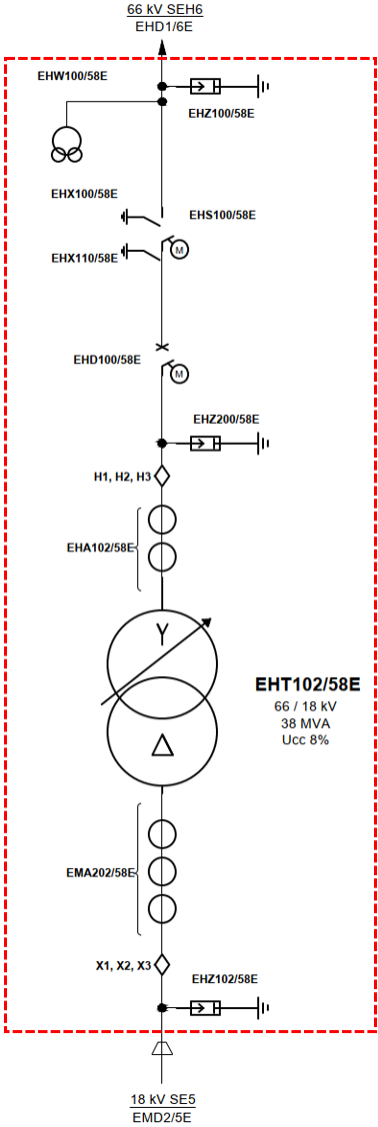
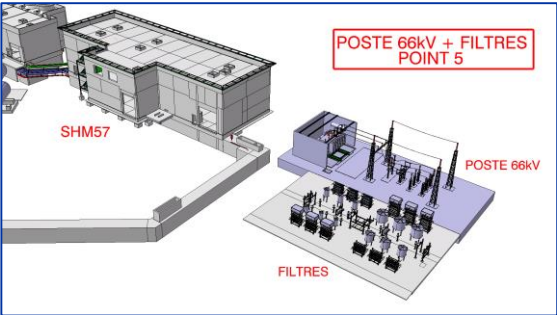


Supply, Installation and Commissioning of the new 66/18 k V Substation, LHC 5

Procurement Code: 02.02.01.00

Cost Range : 250 k CHF ↔ 750 k CHF

Planning: MS: Sent
IT: Q2 2023



Contact: Stefano.Bertolasi@cern.ch

Description & Specific Condition :

- Civil Engineering excluded
- Transformer excluded
- Verification of CERN preliminary design
- Procurement, installation and commissioning of the substation

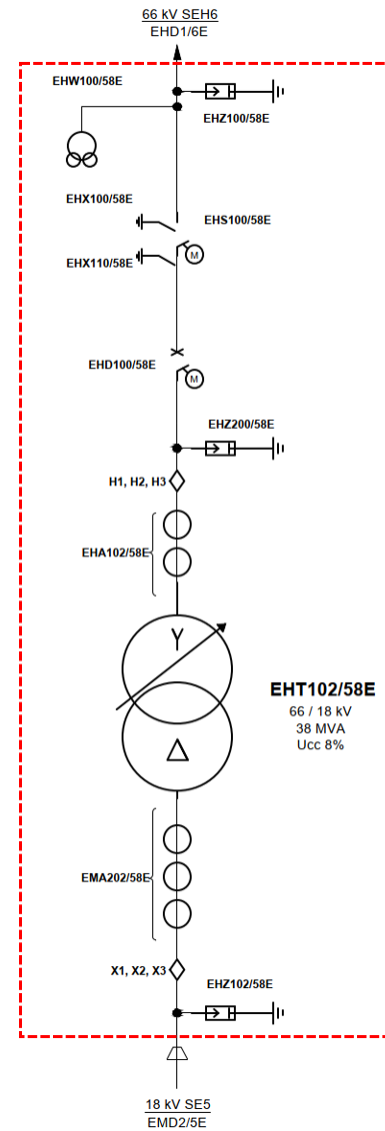
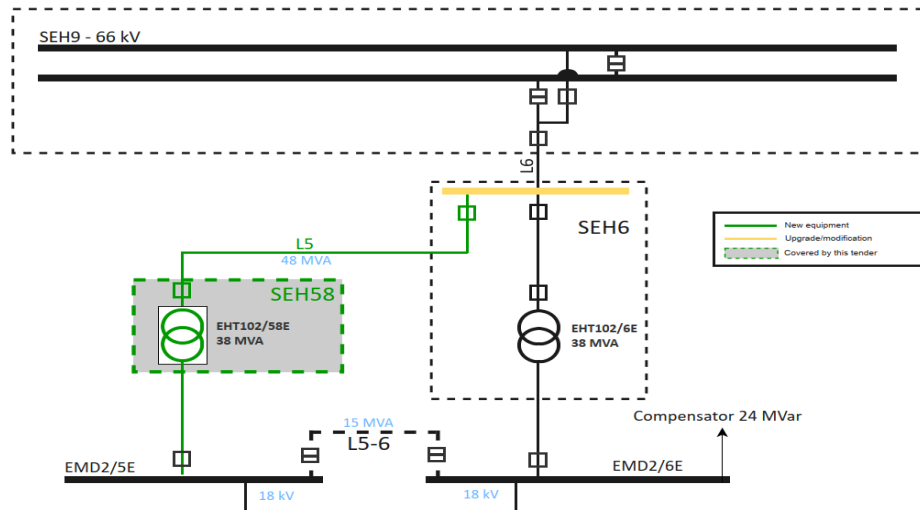
Supply, Installation and Commissioning of a 38MVA Oil Transformer, LHC 5

Procurement Code: 02.01.01.00

Cost Range : 250 k CHF ↔ 750 k CHF

Planning: MS-4807/-EN (Q1 2023)

IT: Q3 2023



Contact: Giuseppe.Cappai@cern.ch

Description & Specific Condition :

38 MVA

Oil Transformer

YD

Installation in March 2025

Accessories included

Commissioning

Supply of Radiation Hard and Radiation Tolerant Cables for General Purpose.

Procurement Code: 02.05.00.00

Cost Range : 750 k CHF ⇔ 5 M CHF

Planning: MS: Q4 2022

IT: Q4 2023

Contact: Cedric.Garino@cern.ch

Description & Specific Condition :

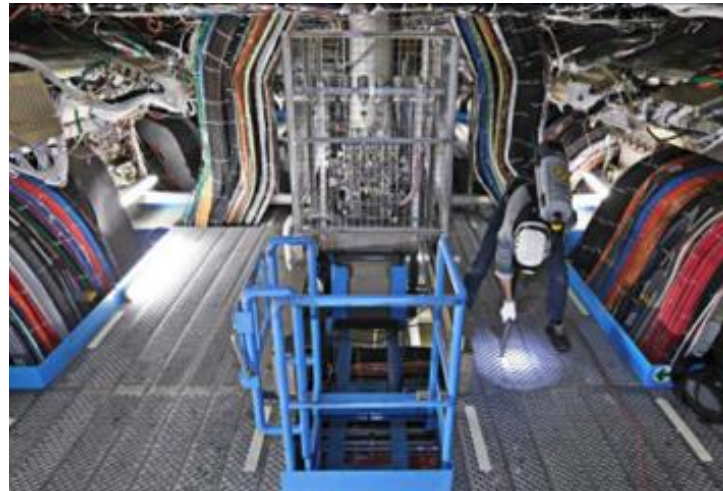
1000 km of Cables

Installation during LS3

1 MS => 3 IT

General purpose, Rad-Tol, and Rad Hard

Qualification test during MS phase:
Irradiation test, aging, etc.



Supply of Transport Equipment for Magnets & SC Links

Procurement Code: 11 04 06 00

Cost Range : 250 k CHF ↔ 750 k CHF

Planning: MS: sent

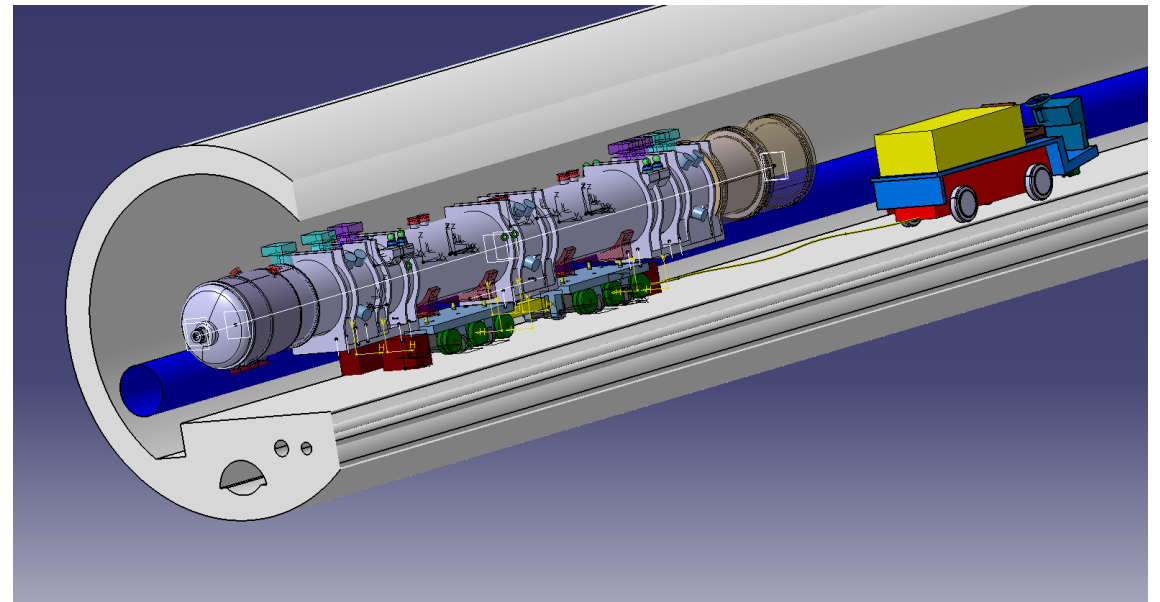
IT: Q2 2023

Description & Specific Condition :

Customize forklift for DCM and Feed Boxes

Trailer and transfer system for Absorber (TAN, TAXN)

Contact: Caterine.Bertone@cern.ch



Supply of Cylindrical Gaseous Helium Vessels

Procurement Code: 09.01.05.01

Cost Range : 750 k CHF ⇔ 5 M CHF

Planning: MS-4802/TE (sent)

IT: Q1 2023



Contact: Antonio.Suraci@cern.ch

Description & Specific Condition :

Storage of gaseous He at room temperature

LHC 1 & 5 / Buffer for the refrigerator and compressor systems

25 bar

4 Cylindrical vessels

2 x 250 m³ & 2 x 80 m³

Supply of Cryogenic Cables for Beam Position Monitors

Procurement Code: 02.05.05.00

Cost Range : 250 k CHF ⇔ 750 k CHF

Planning: MS: Q3 2023

IT: Q1 2024

Description & Specific Condition :

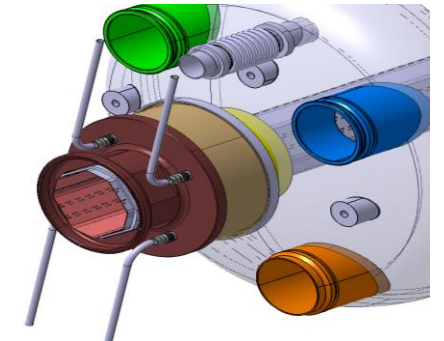
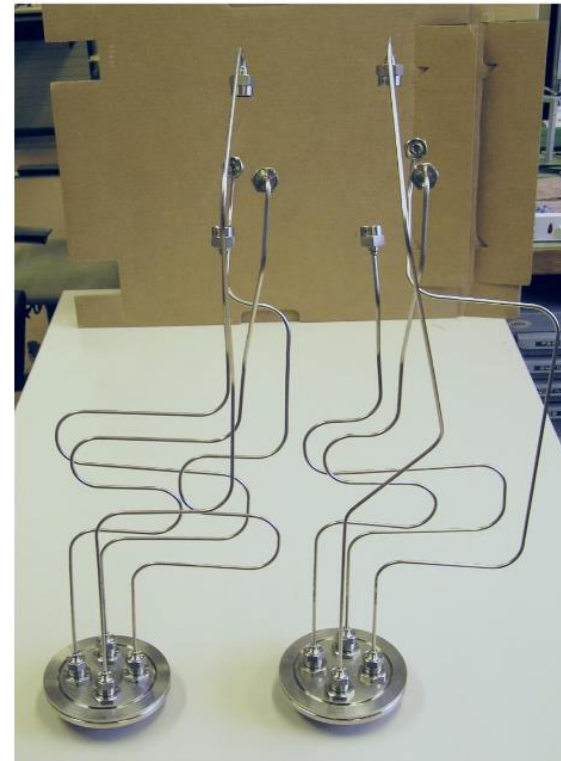
600 cable assemblies needed (proto, series, spares)

Cables to withstand cryogenic temperatures (~ 5K) and high temperature (600°C in collimators)

SiO₂ Coaxial RF Cables

Laser Welding Cable-Connector challenging. Micro-cracks can't be present

Contact: Michal.Krupa@cern.ch



Supply of Vertical Core Excavation

Procurement Code: 01.02.01.01

Contact: Pieter.Mattelaer@cern.ch

Cost Range : 750 k CHF ↔ 5 M CHF

Planning: MS: Q1 2023 - IT: Q3 2023

Description & Specific Condition :

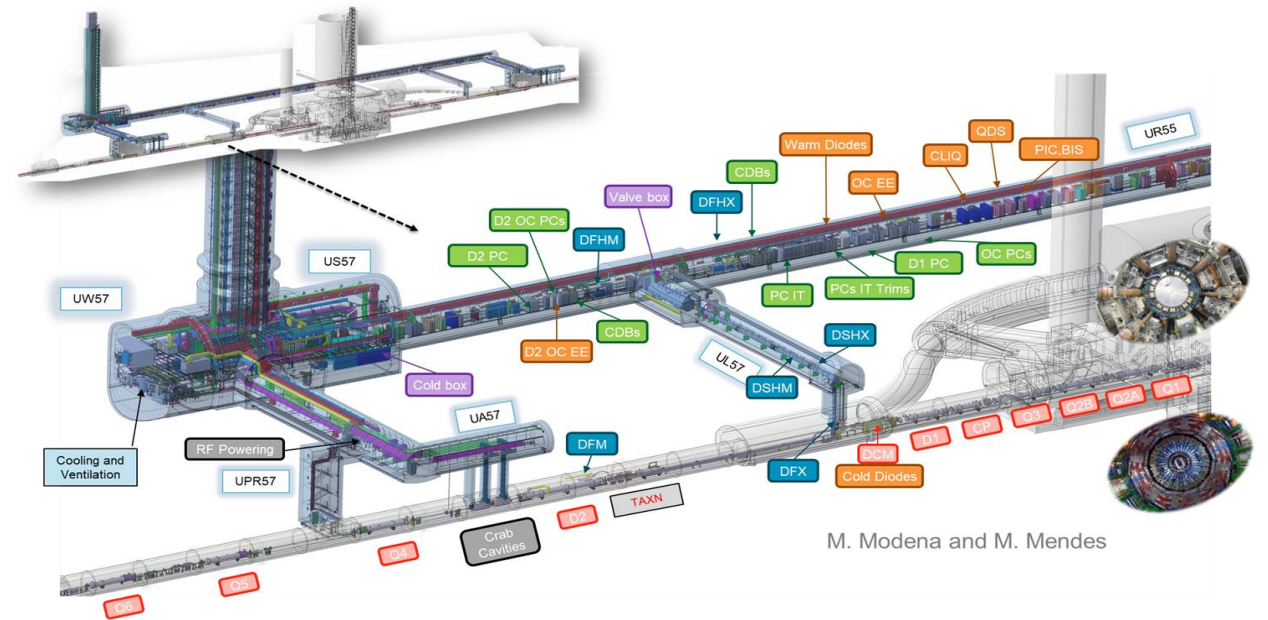
LHC1 & LHC 5

Construction of 24 vertical cores - 6 L & R from IP

1m diameter

5 to 7 meters long

Confinement & Existing Equipment



Thank you



home.cern