



X-Band Spherical correction cavity

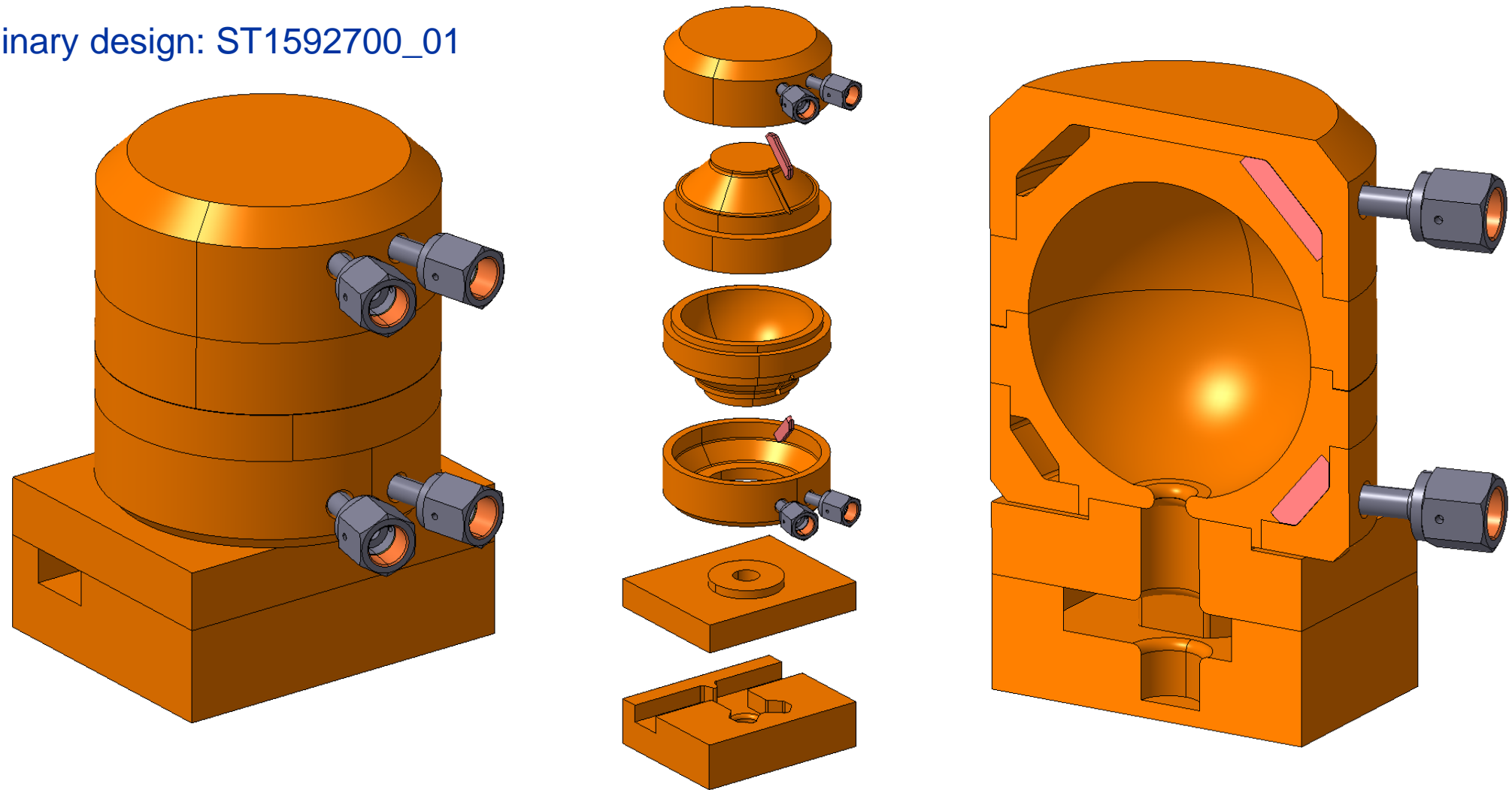
Design review

E.Berthomé – EN/MME

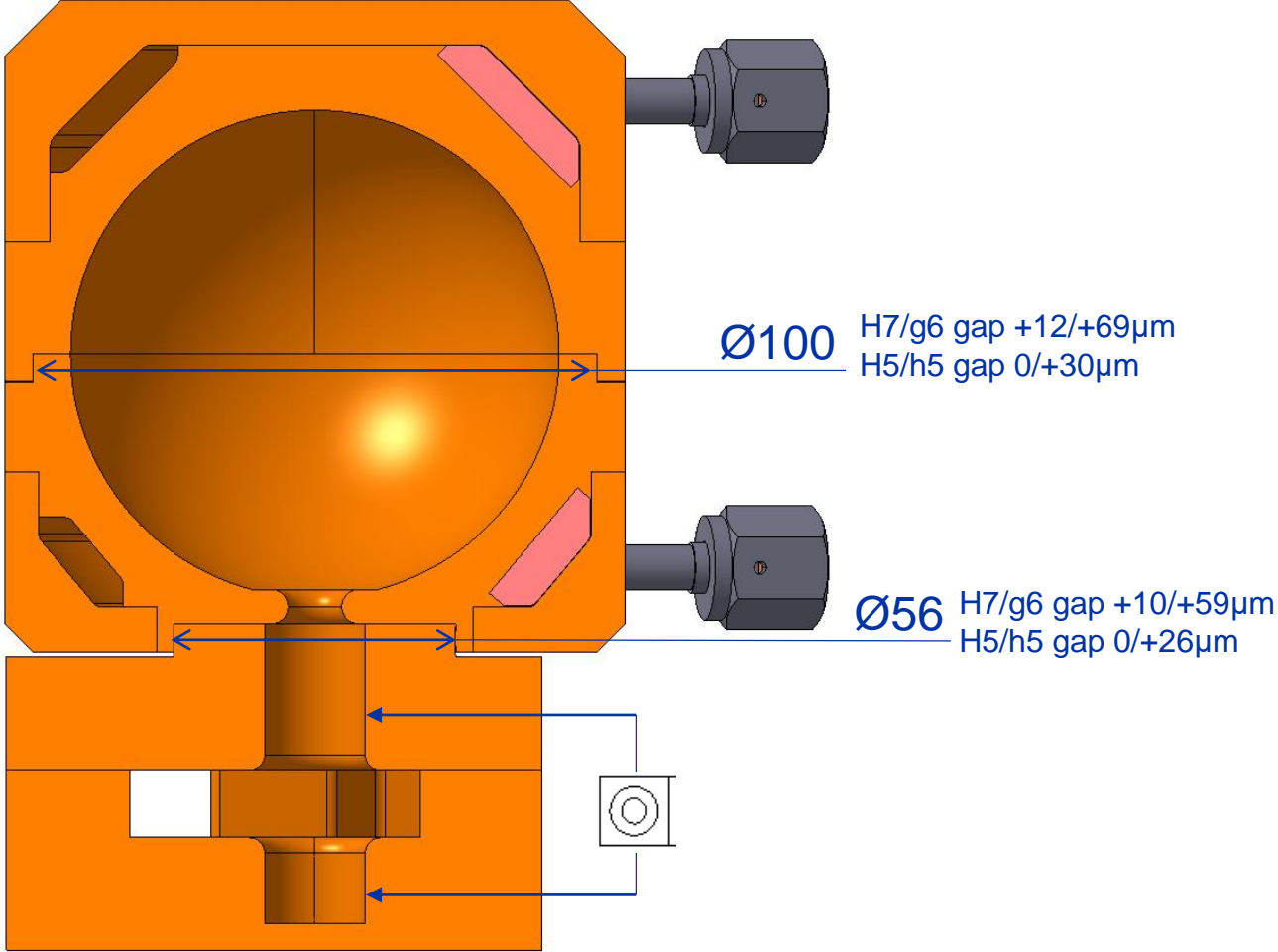
2022-06-30

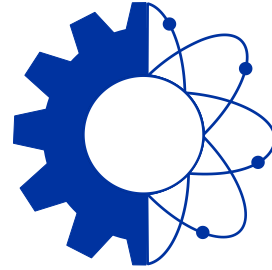
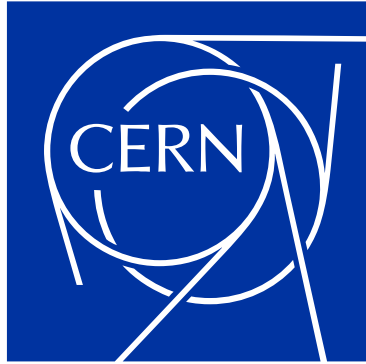
General overview of fabrication sequence

Preliminary design: ST1592700_01



General overview of fabrication sequence





**ENGINEERING
DEPARTMENT**

home.cern