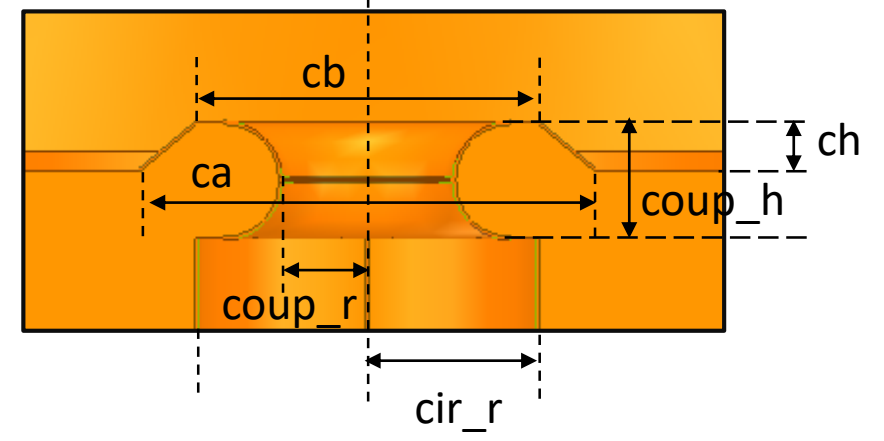
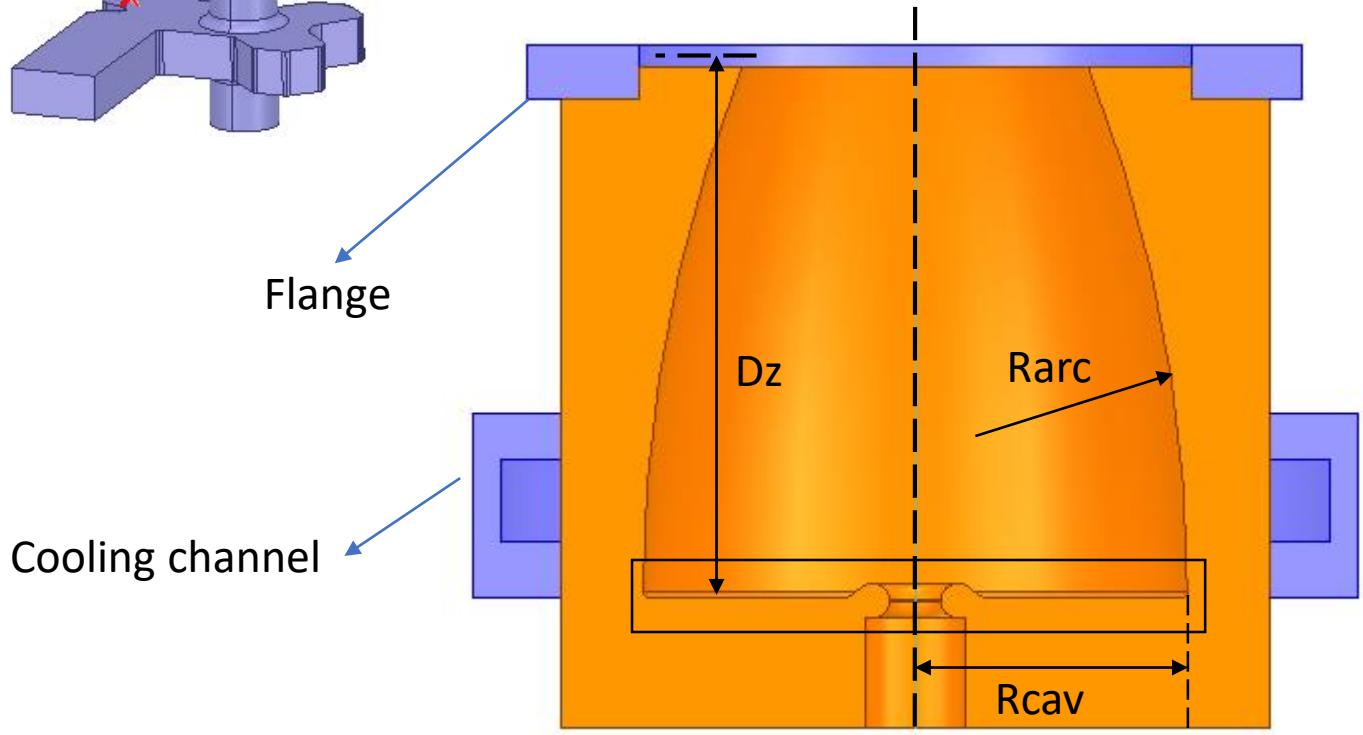
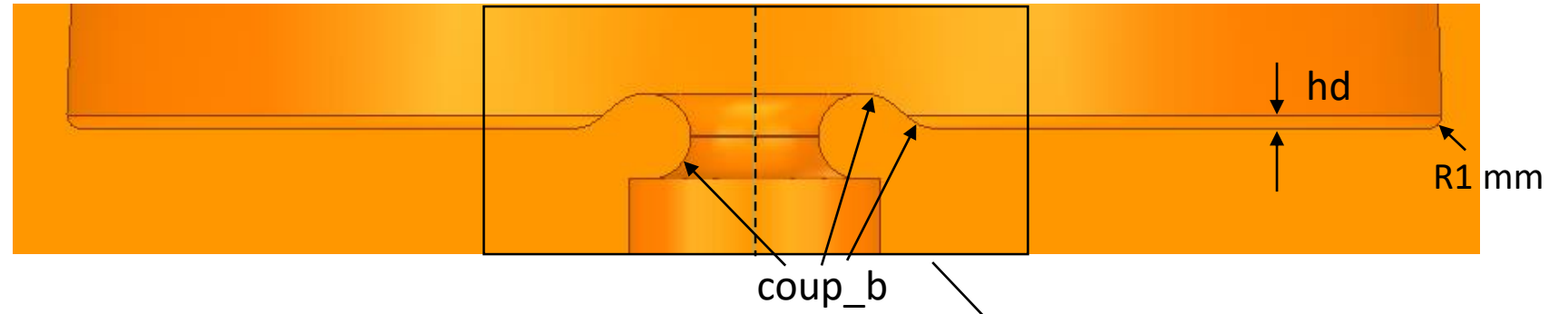
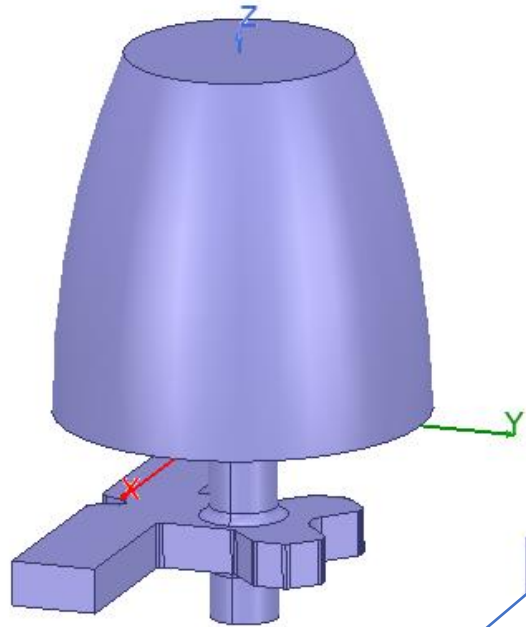


# Preliminary RF design and tolerance study of the bowl cavity

Ping Wang, Alexej Grudiev

05.08.2022



## Preliminary Tolerance study of the bowl cavity

Parameters	Value	Sensitivity		Recommended range
		Freq [MHz/mm]	Beta [/mm]	
Dz [mm]	96	0		$> \pm 0.1$ mm
Rarc [mm]	290.114	-1.4		$> \pm 0.1$ mm
Rcav [mm]	49.114	-239.7		$< \pm 1.3$ $\mu$ m
hd [mm]	1.0	-22		$< \pm 13$ $\mu$ m
ca[mm]	9.0			
cb [mm]	12.0			
ch [mm]	2.5			
cir_r [mm]	9.0			
coup_b [mm]	3.0			
coup_h [mm]	6.1			
coup_r [mm]	4.56			
Criteria		$\Delta f_0 < \pm 0.3$ MHz	$\Delta \text{Beta} < \pm 0.2$	