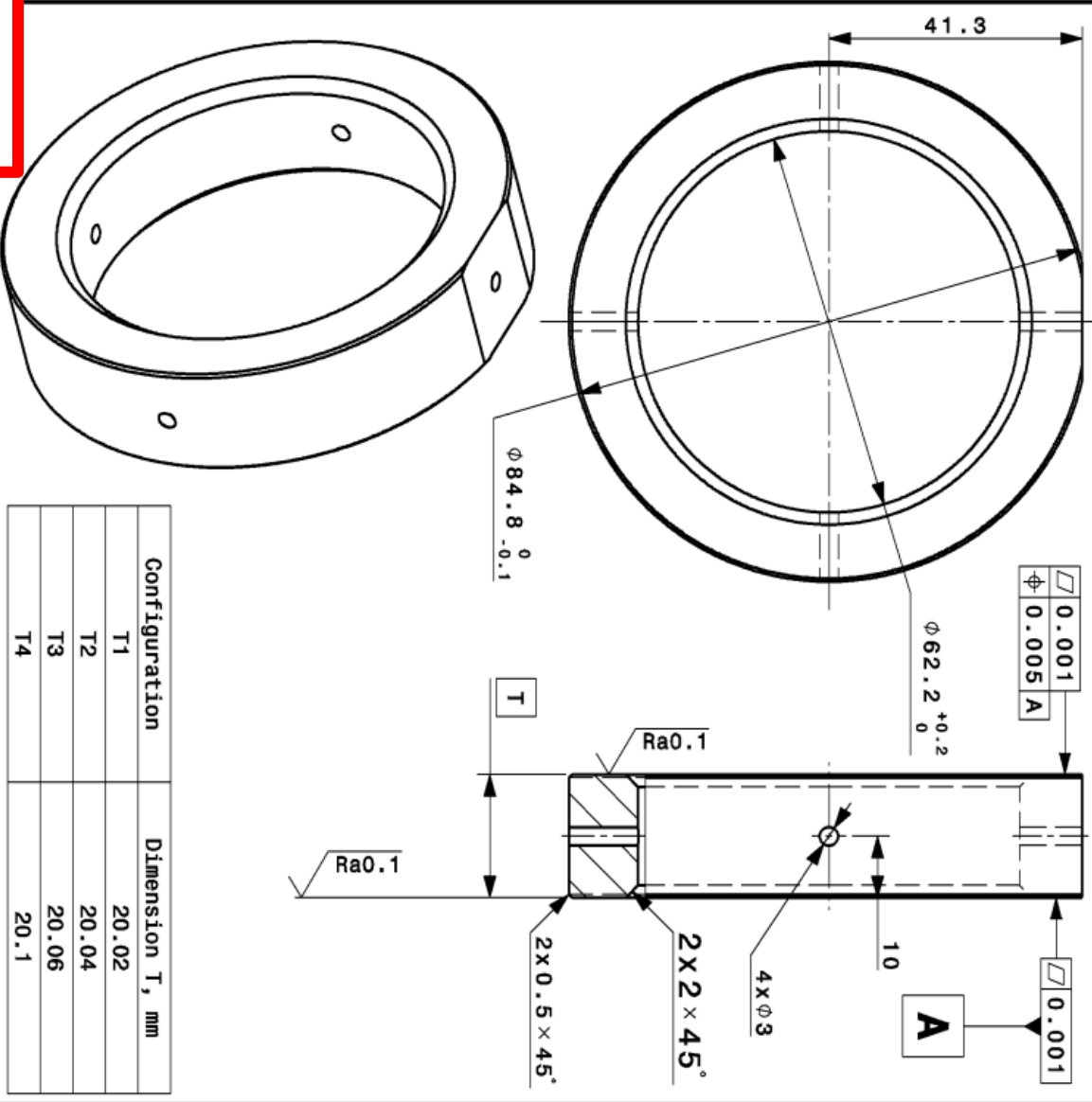


Cool Meeting

15th August 2022

IND.	DATE	NAME	MODIFICATION
A	2022-08-08	P. MORALES SANCHEZ	Increase the chamfer inside



SERIAL	INITIAL STATE	FINAL STATE
C A1203		
9+%		

ISO GPS STANDARDS	ISO 13715	ISO 13715
√ Ra 0.8	(V)	(V)

mentioned, applicable ISO GPS standards are those prior to 2010-08-01 regardless of the drawing date

WHERE USED Not Applicable

WHERE CHECKED (last checked on 2022-08-08 11:29)

Electro Dielectric Spacer

DESIGNED P. MORALES SANCHEZ

CHECKED

RELEASED

APPROVED

SCALE 1:1

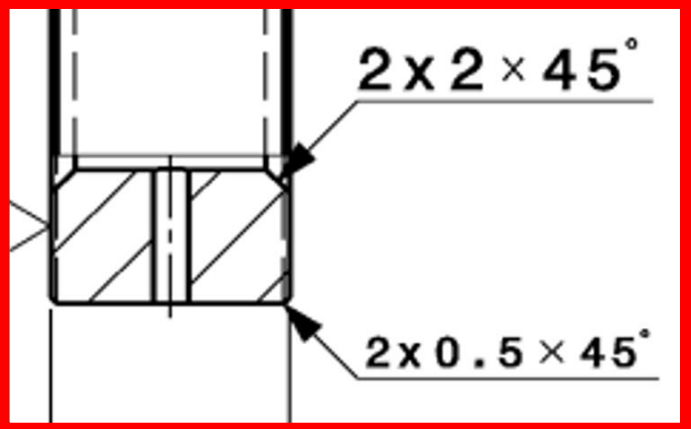
INDICES DOC No: ST1128782_02 INDEX AA

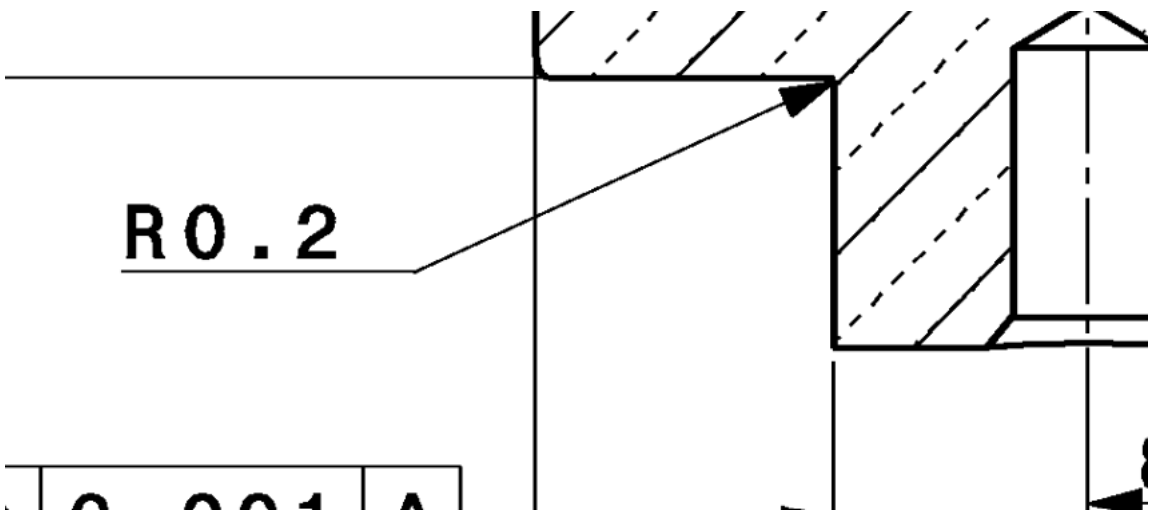
CLIASTIND0195

NOT VALID FOR EXECUTION

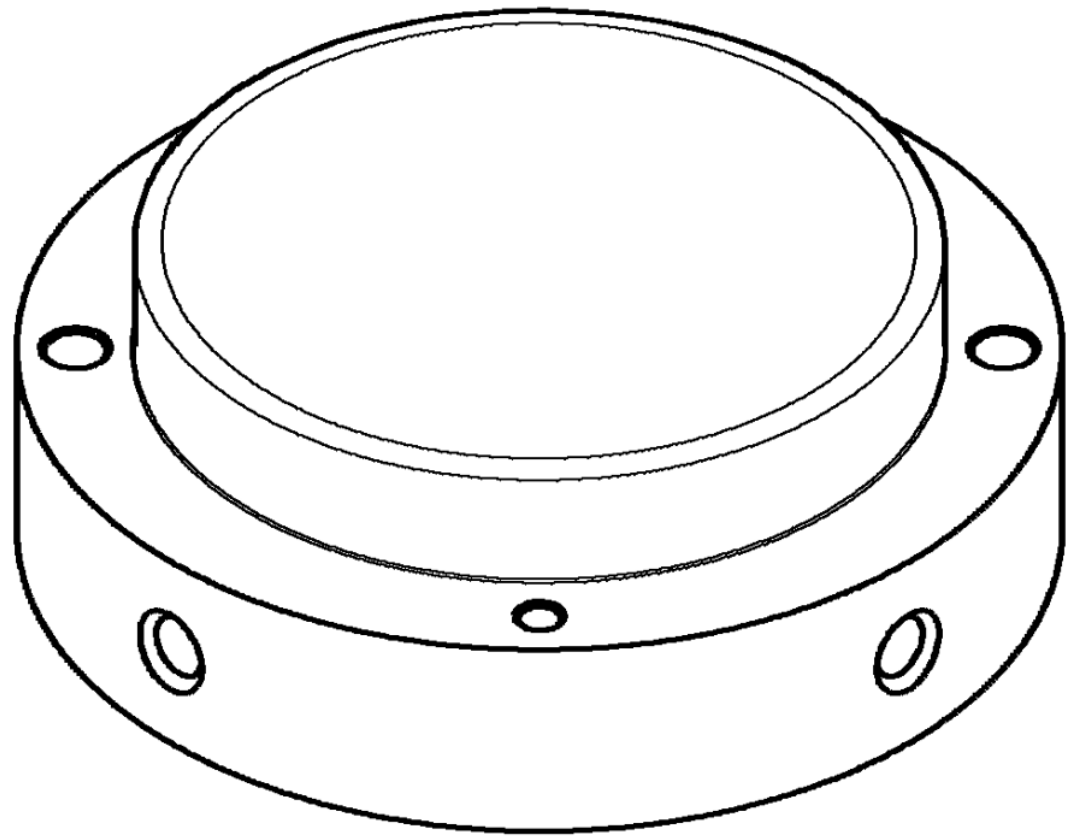
QMC -

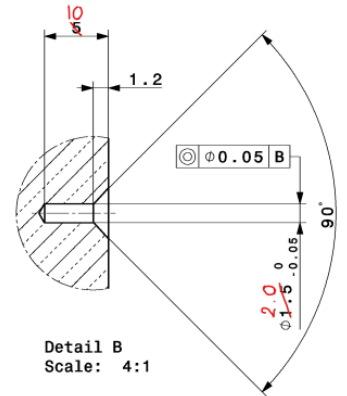
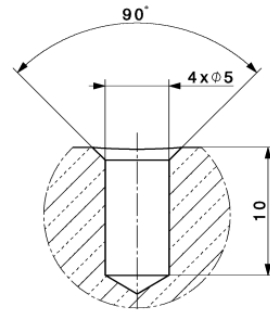
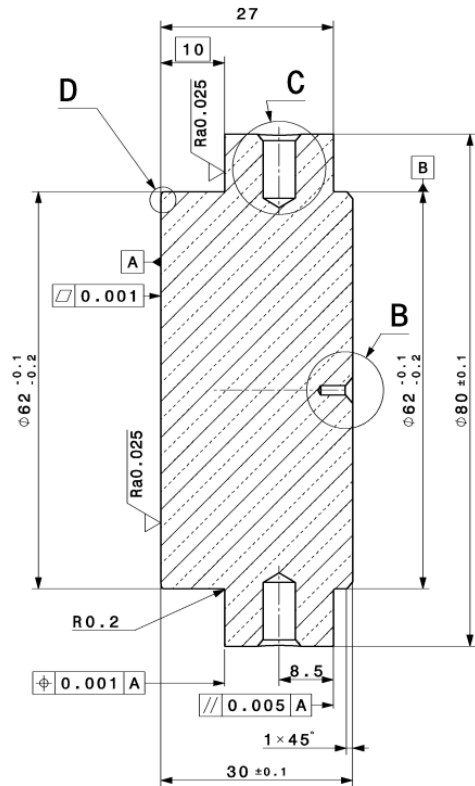
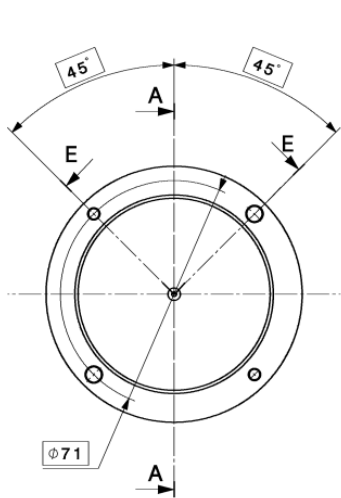
SHEET 1/1





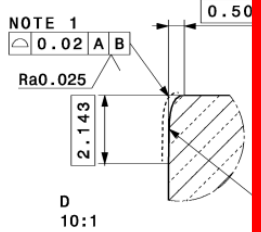
0 0 0 1 A



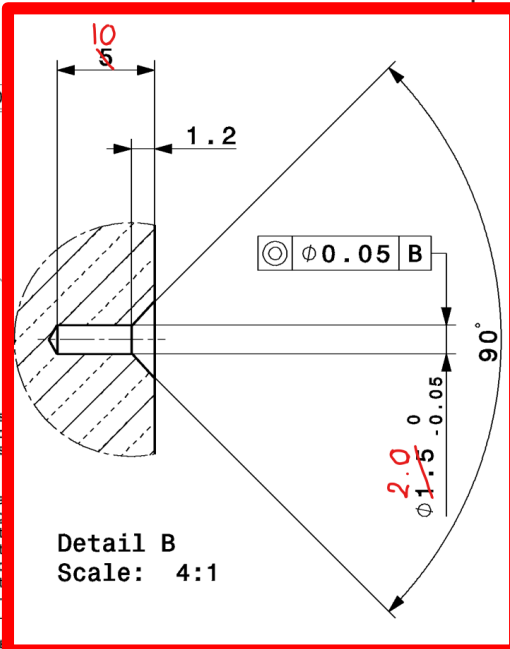


Detail C
Scale: 4:1

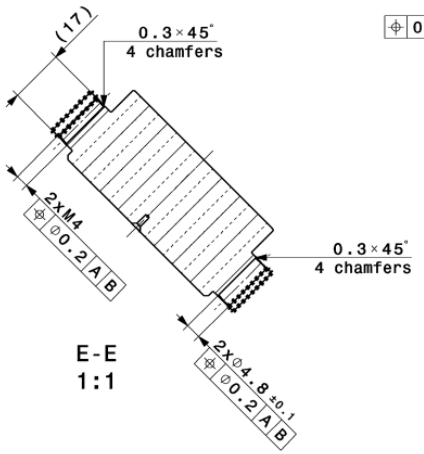
Detail B
Scale: 4:1



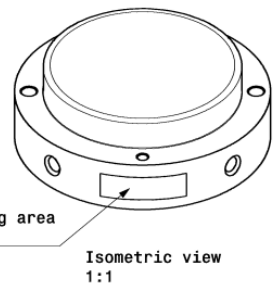
- NOTES:
1. Dimensions extracted from...
 2. Dimensions extracted from...
 3. Lubricant...
 4. No deformation...
 5. To be protected...
 6. No sharp edges...
 7. Parts must...



Detail B
Scale: 4:1



E-E
1:1



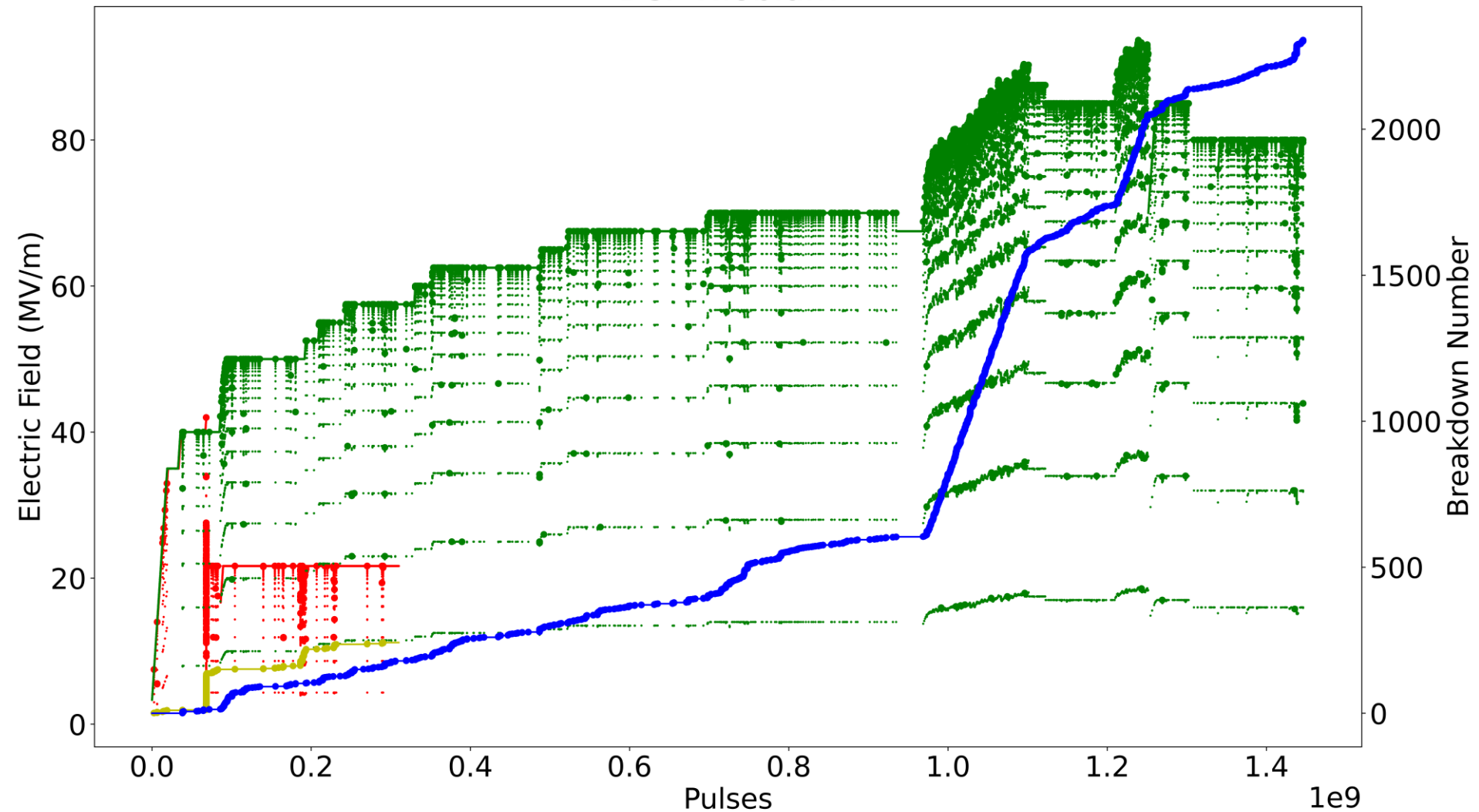
Lateral engraving area
CLIASTND0185-XX
Isometric view
1:1

CONSULTACIONES TECNICAS S.A.
S.A. INGENIERIA Y SISTEMAS
SERVICIOS INGENIERIA Y SISTEMAS
CALLE 12 No. 12-12, ZONA INDUSTRIAL, GUATEMALA, GUATEMALA

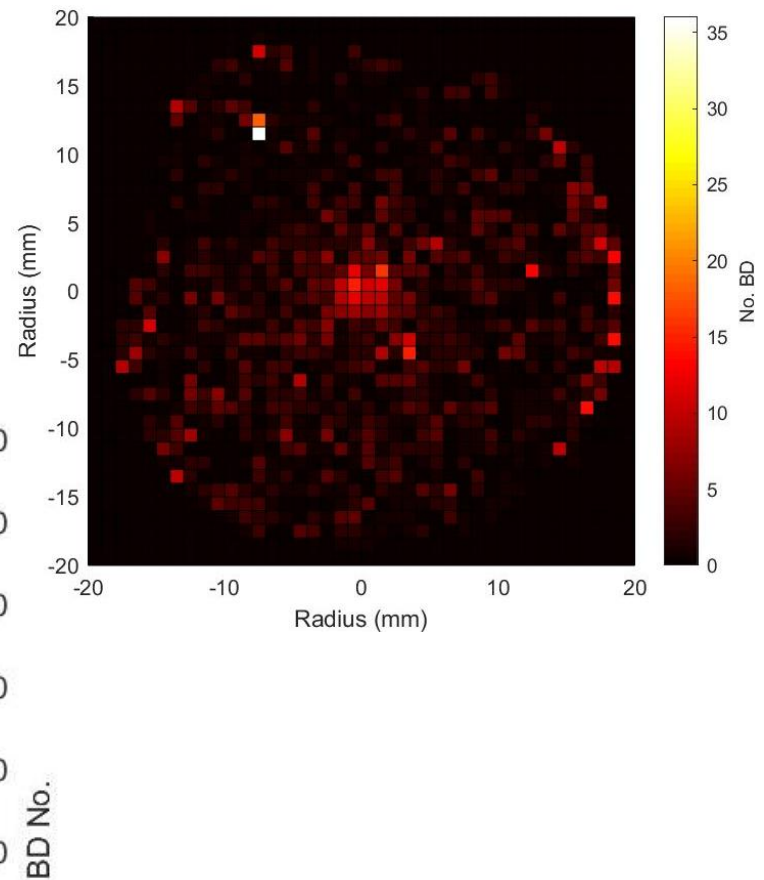
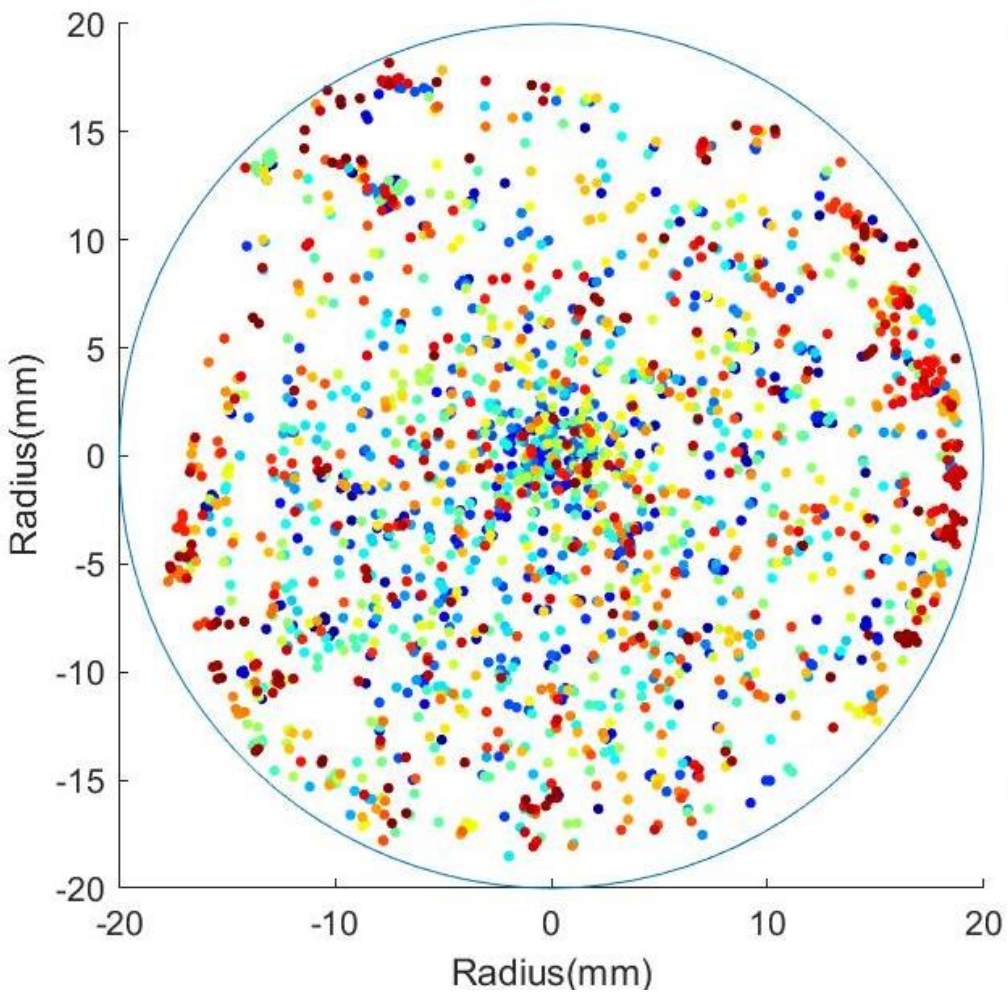
IND.	DATE	NAME	ZONE	MODIFICATION
A	2021-10-08	P. MORALES SANCHEZ		Add engraving area

ISO 2768-FH-1		WHERE USED: Multiple (Last checked at 2021-10-08 10:40)	
NOTE: UNLESS OTHERWISE MENTIONED, APPLICABLE ISO GPS STANDARDS ARE THOSE PRIOR TO 2010-08-01 REGARDLESS OF THE DRAWING DATE			
DESIGNATION	ANODE/CATHODE MOD EDGE FIXED GAP SYSTEM	DESIGNED	A. SUCO DKO A2
CHECKED	A. SUCO DKO	RELEASED	W. MLENZCH
APPROVED		RELEASED	2021-10-12
EQUIPMENT CODE: CLIASTND0185-XX		EQUIPMENT: STAND EQUIPMENT	
REFERENCES	Doc No: ST0827111_02	TRUCK	AA
CLIASTND0185		FOR INFORMATION	
SHEET		1/1	

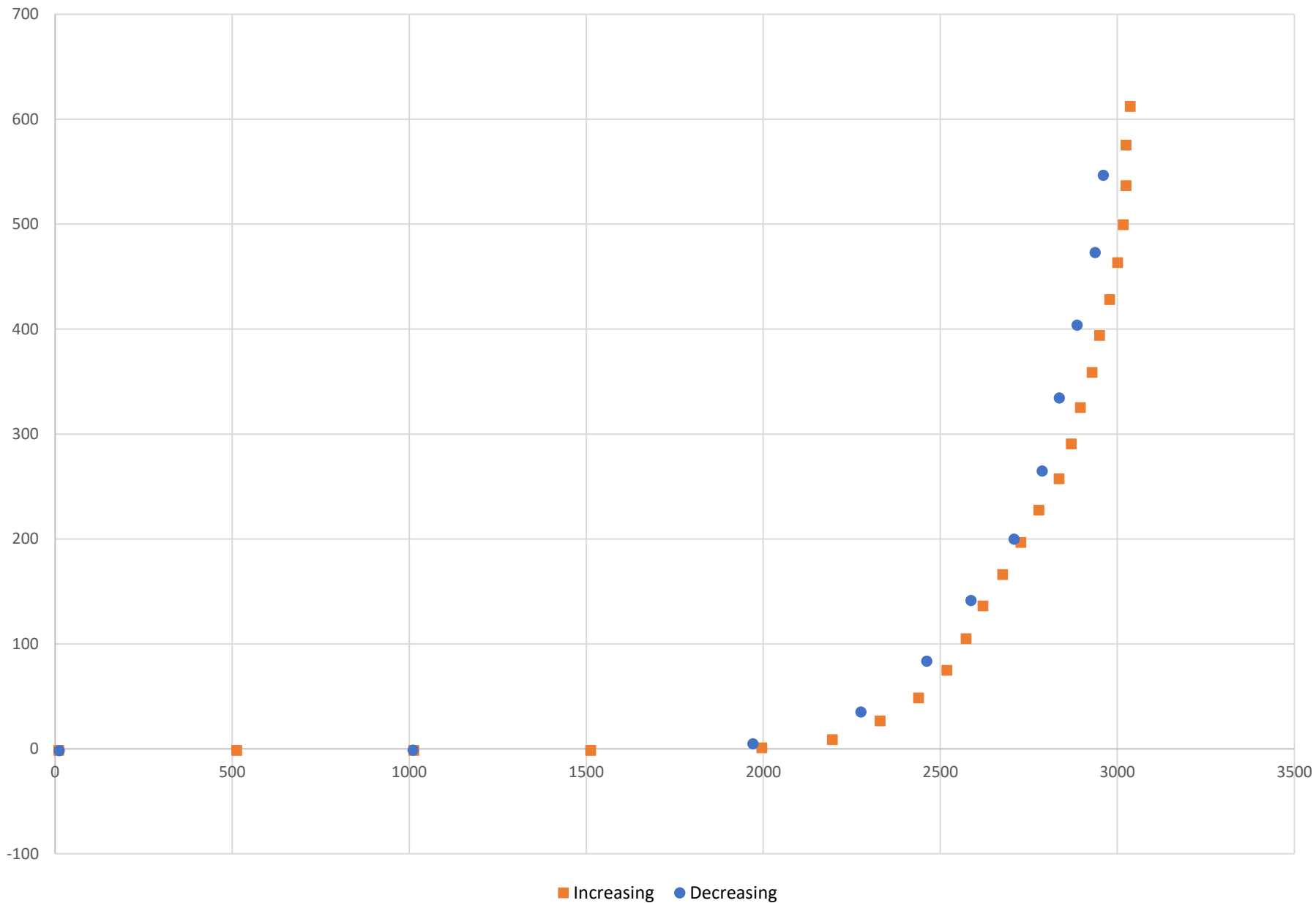
BCP Niobium



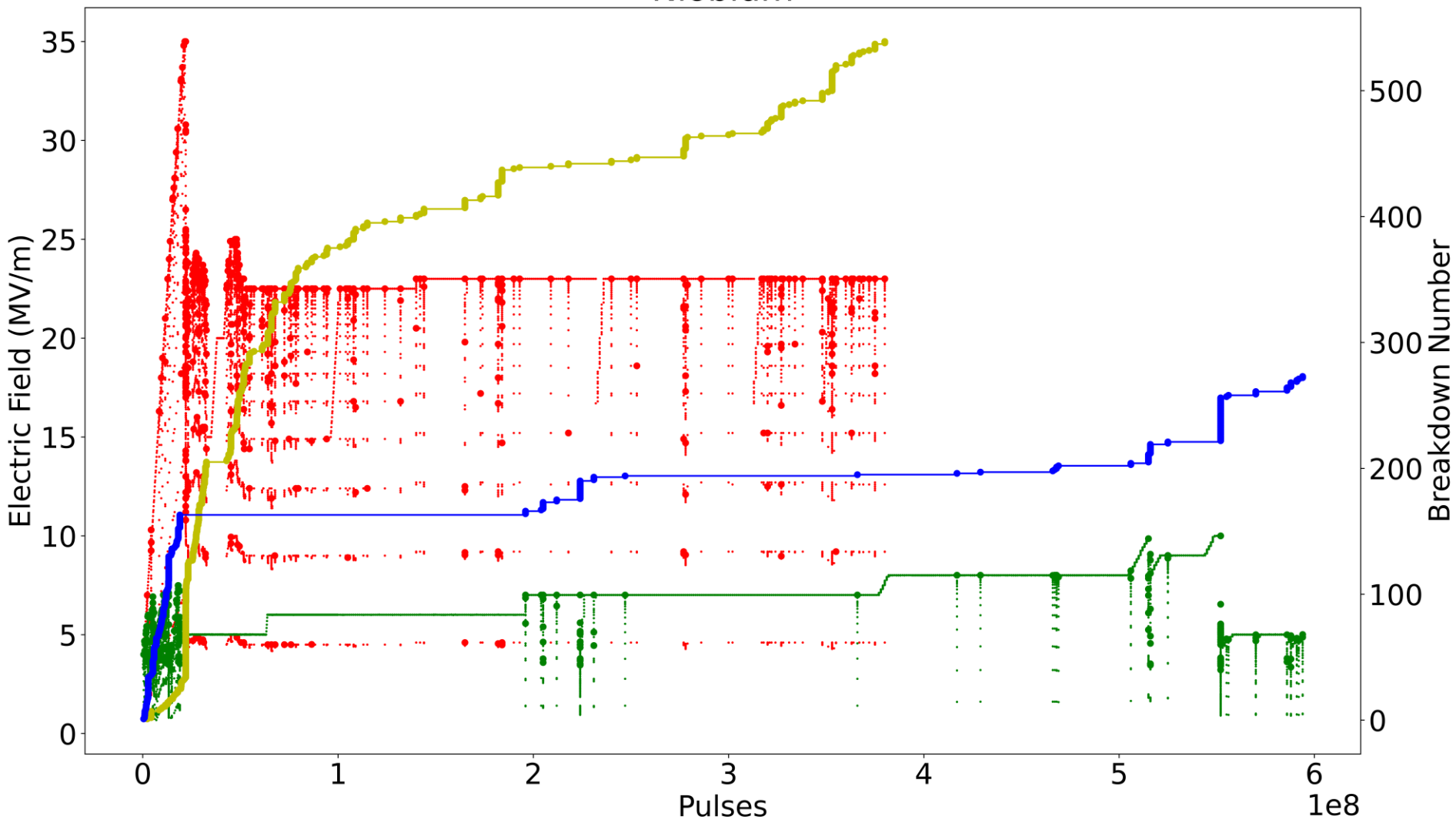
Nb(BCP) BD Locations



Field Emission Nb (Run 29)



Niobium



- 43 Irrad Nb E-Field
- 44 Nb E-Field
- 43 Irrad Nb No. BD
- 44 Nb No. BD