

Academia meets Industry event

Advanced mechanics

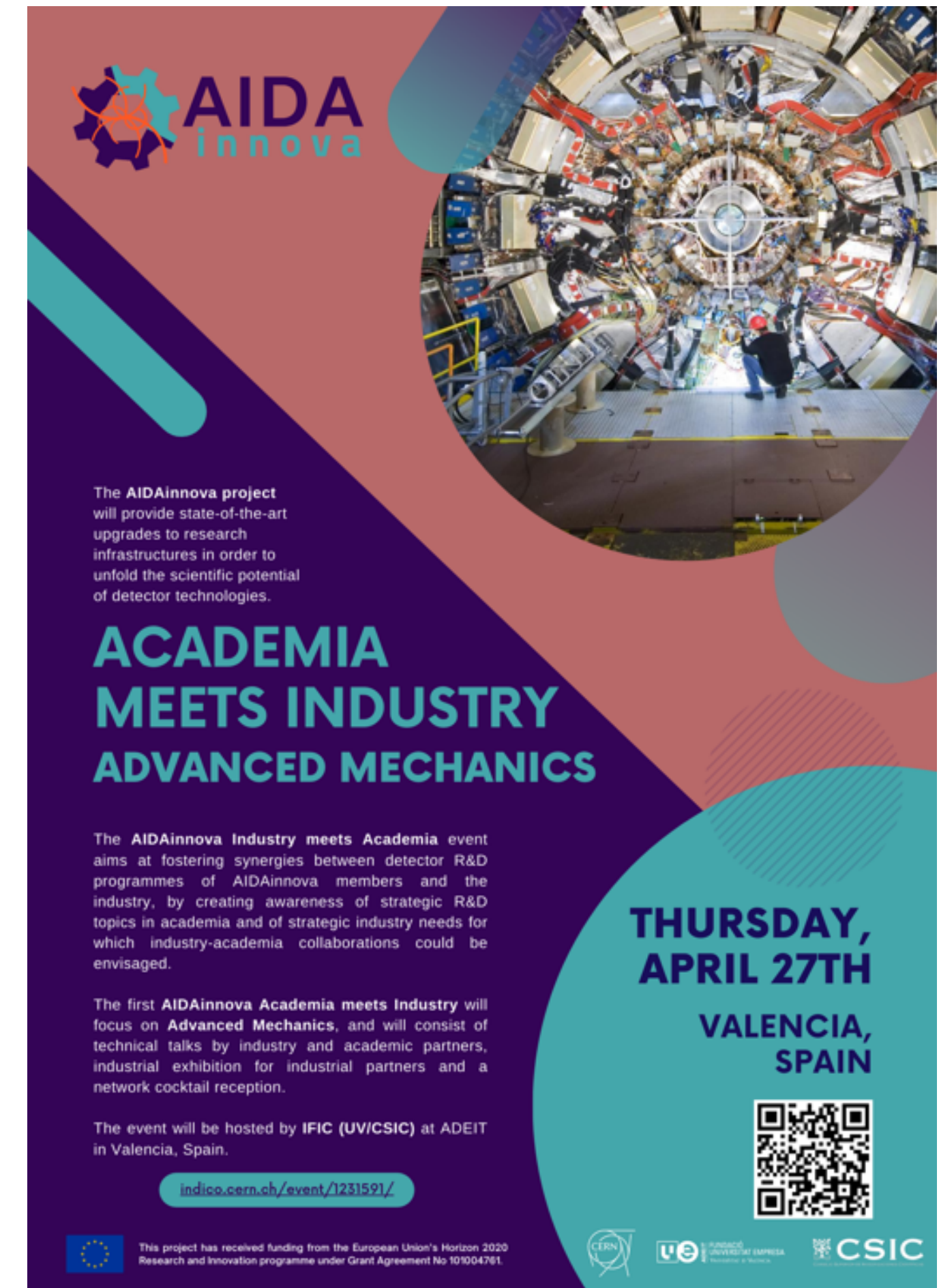
P. Giacomelli (INFN Bologna)

INFN Bologna

AIDAinnova Scientific coordinator



- **Aim:**
 - Fostering synergies between detector R&D programmes of AIDAInnova members and the industry;
 - Creating awareness of strategic R&D topics in academia and of strategic industry needs for which industry-academia collaborations could be envisaged.
- **Theme:** Advanced Mechanics.
- **Programme:**
 - Technical talks by industry and academic partners;
 - Industrial exhibition for industrial partners;
 - Network cocktail reception.
- **Location:** Valencia, Spain.
- **Date:** today!

The poster features a circular inset image of a large, complex detector structure. The background is a mix of teal and purple geometric shapes. Text on the poster includes the AIDA innova logo, a description of the project's goal, the event title 'ACADEMIA MEETS INDUSTRY ADVANCED MECHANICS', the date and location 'THURSDAY, APRIL 27TH VALENCIA, SPAIN', a QR code, and a URL 'indico.cern.ch/event/1231591/'. Logos for CERN, UO, and CSIC are at the bottom.

The AIDAInnova project will provide state-of-the-art upgrades to research infrastructures in order to unfold the scientific potential of detector technologies.

ACADEMIA MEETS INDUSTRY ADVANCED MECHANICS


The AIDAInnova Industry meets Academia event aims at fostering synergies between detector R&D programmes of AIDAInnova members and the industry, by creating awareness of strategic R&D topics in academia and of strategic industry needs for which industry-academia collaborations could be envisaged.

The first AIDAInnova Academia meets Industry will focus on **Advanced Mechanics**, and will consist of technical talks by industry and academic partners, industrial exhibition for industrial partners and a network cocktail reception.

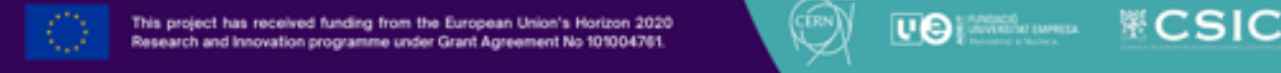
The event will be hosted by IFIC (UVICSIC) at ADEIT in Valencia, Spain.

indico.cern.ch/event/1231591/

THURSDAY,
APRIL 27TH
VALENCIA,
SPAIN



This project has received funding from the European Union's Horizon 2020 Research and Innovation programme under Grant Agreement No 101004761



- Lithoz (A): ceramics (WP 10)
- Picotech (F): fast RPCs (WP 7)
- Weeroc (F): ASICs (WP 11)
- Workshape (F): composite materials (WP 10)
- CAEN (I): nuclear electronics (WPs 4, 7, 8)
- ELTOS (I): PCBs (WP 7)
- FBK* (I): silicon detectors (WPs 6, 8)
- Conpart (N): metalised polymers (WP 6)
- FYLA (E): ultrafast fibre lasers (WP 4)
- ITAINNOVA* (E): electrom. compatibility (WP 4)
- CSEM* (CH): additive manufacturing (WP 10)

* RTO (Research and Technology Organisation)

- *Particle physics applications: industrial scale in view from the beginning*
- *Earliest possible technology transfer to applications for other markets*

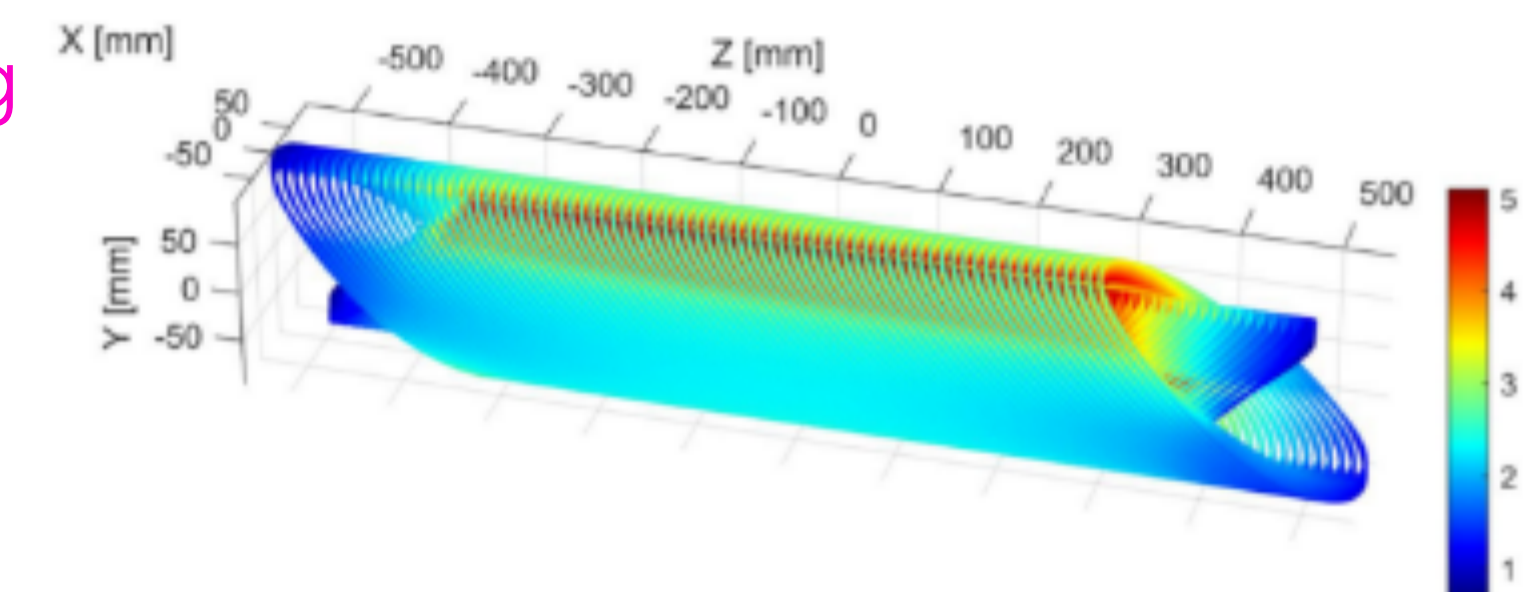
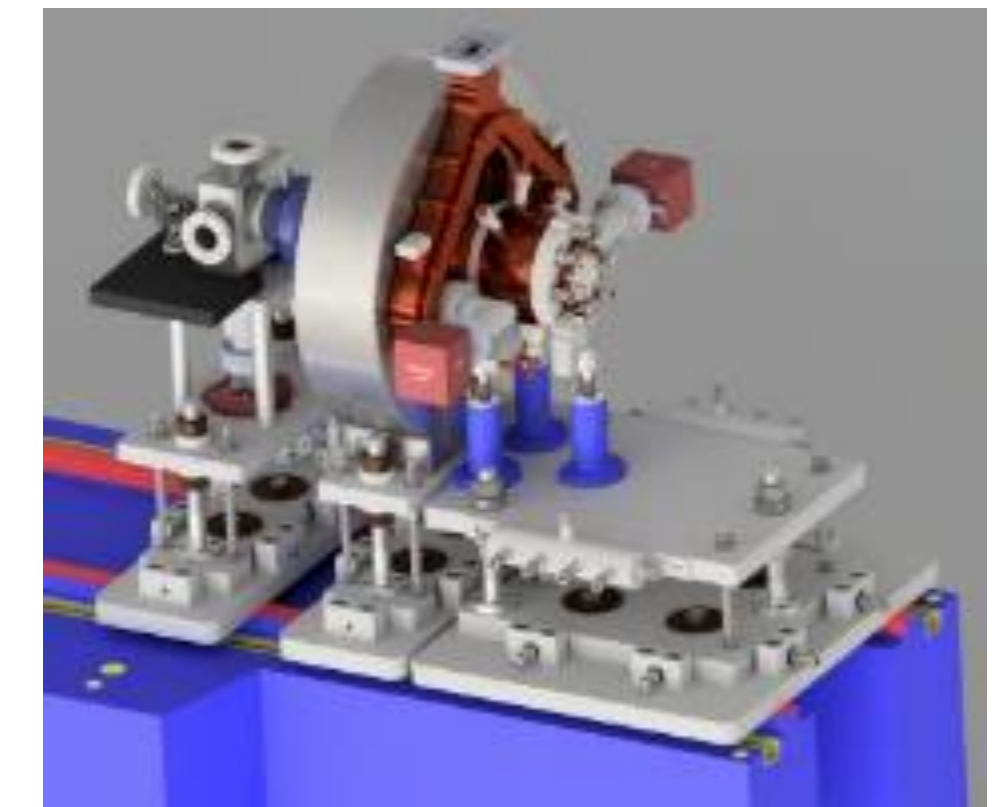
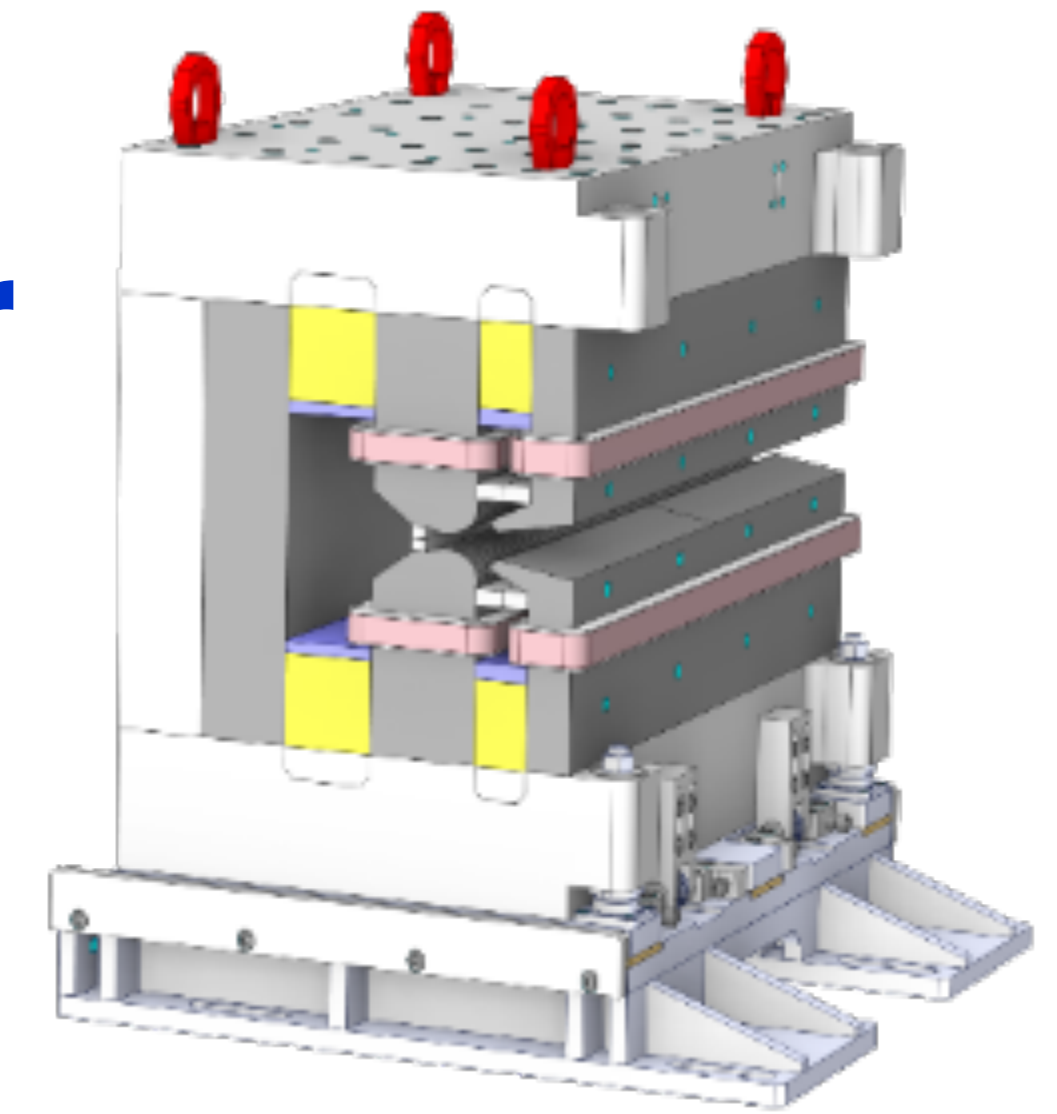
Challenges and opportunities for particle accelerator R&D: the need for industry

Opportunities:

- Strong demand for R&D: accelerators are crucial tools in the progress of modern science and technology (physics, biology, medicine, material science, etc.).
- Mature technology, with large industry involvement.
- Supported by a wide, motivated, and rapidly expanding scientific and technological community, spanning across continents.

Challenges:

- Presence of many actors, many projects, many technologies, with different priorities and time-scales.
- Long time scale and high cost of accelerator R&D, well beyond the capabilities of single EU projects.
- Strong dependence on post-ww2 technologies increasingly faraway from modern industry's focus.
- Needs coordination and sharing resources.



I.FAST Industry participation

Beneficiaries (15):

RHP Technologies (Austria)
Bergoz Instrumentation, Thales (France)
BNG, Barthel HF-Technik, ILK (Germany),
COMEB, KYMA (Italy)
VDL-ETG (Netherlands)
CYCLOMED, Elytt, Nanoker (Spain)
GEMS, Scanditronix (Sweden)
TMD Technologies (UK)

Partners (2):

Amplitude (France)
INEUSTAR (Spain science industry association)

Industry Advisory Board (11)

Total of 28
companies
represented in
I.FAST



LEAPS-INNOV has about 60 industrial partners!

- Co-development between Academia and Industry is of great appeal to us and to the EU
- We look forward to increase our portfolio of industrial partners
- We believe that there is potential of mutual benefits between us and you
- Technology transfer is good for us and society, and has the potential to later be applicable to other markets