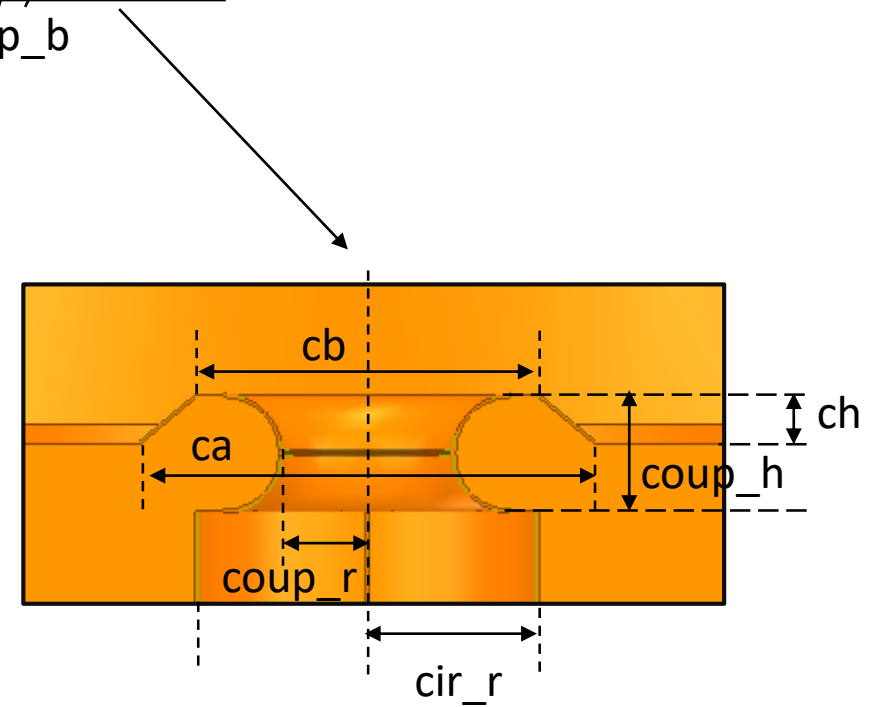
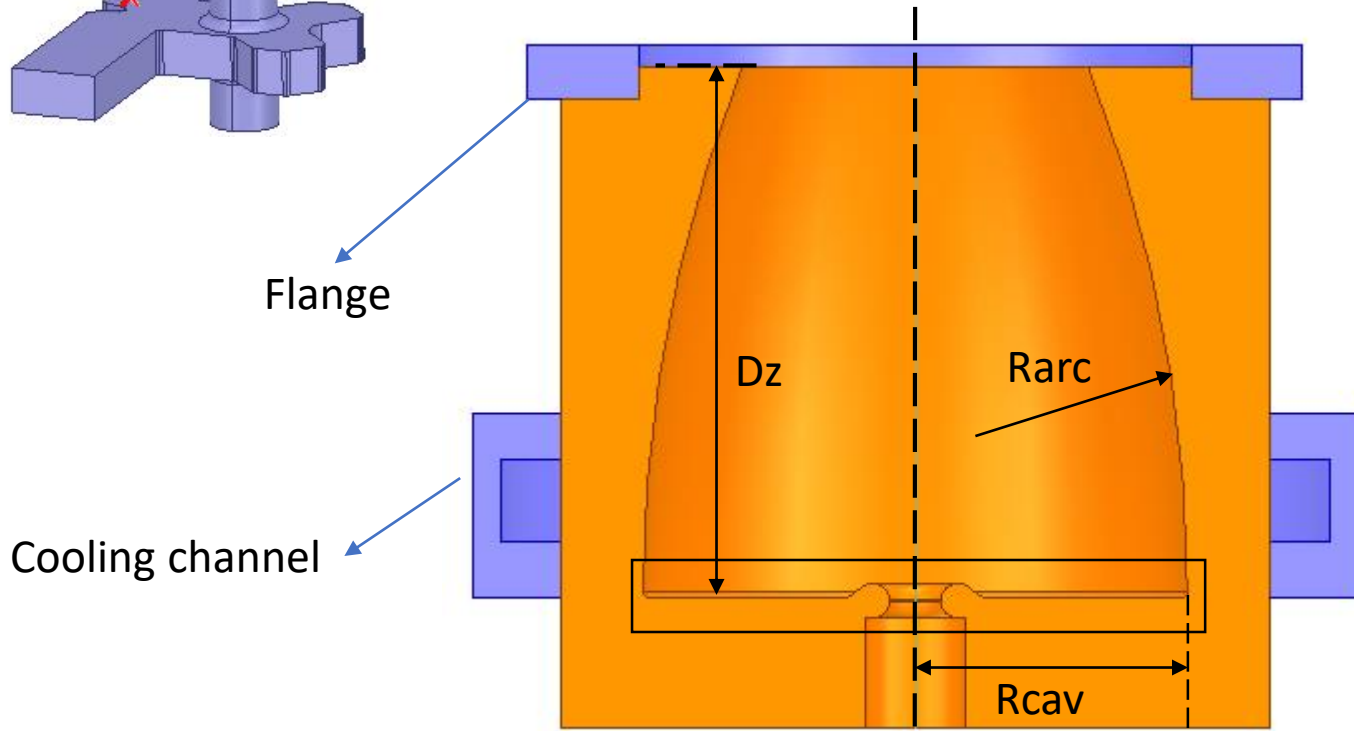
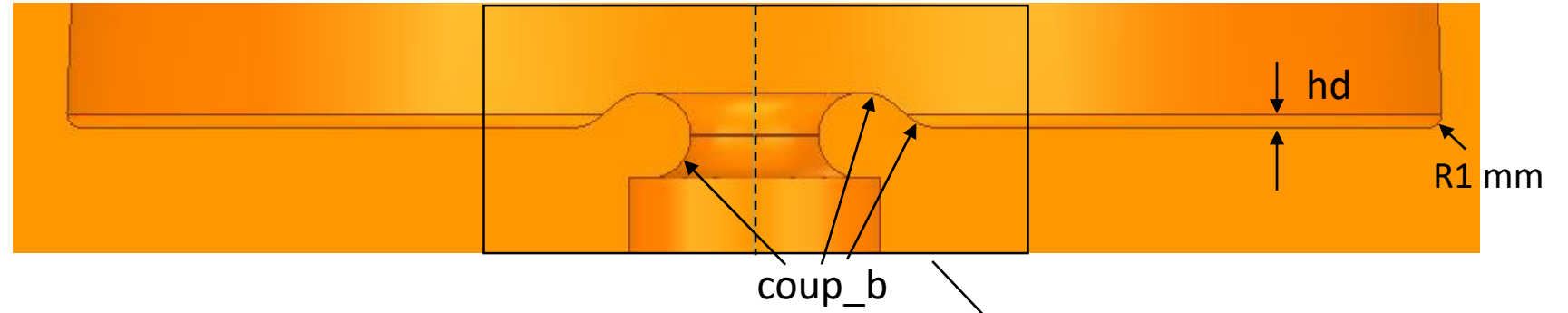
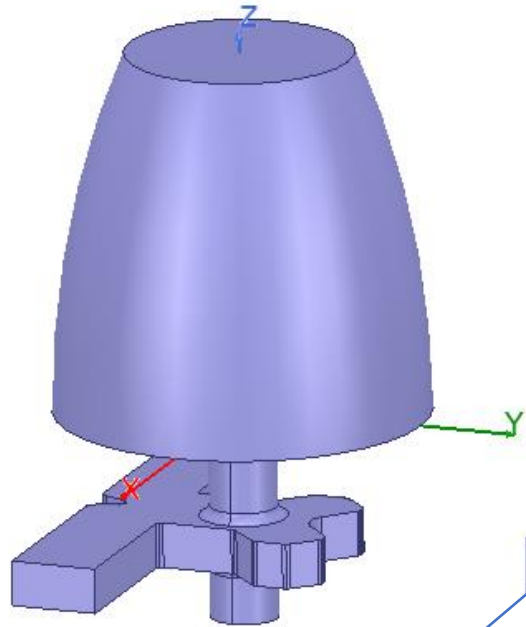
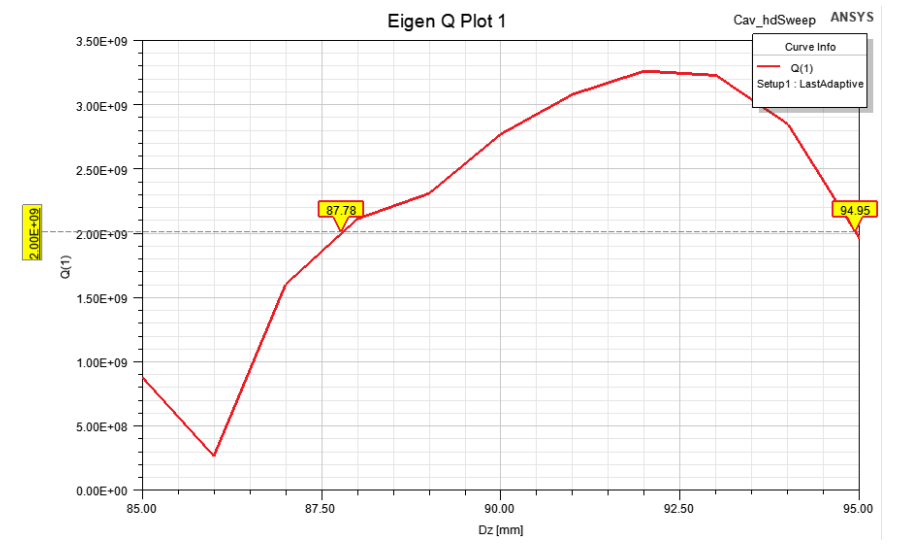
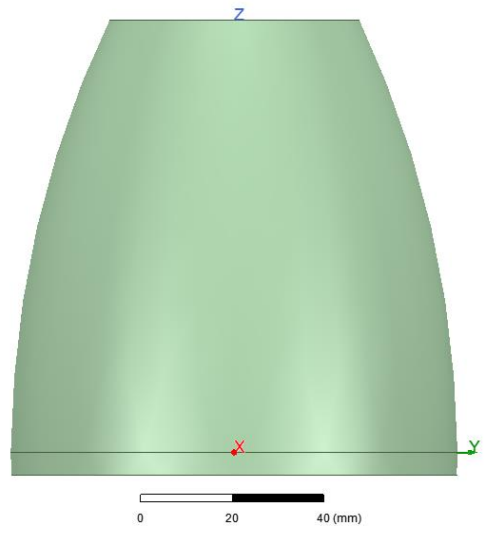
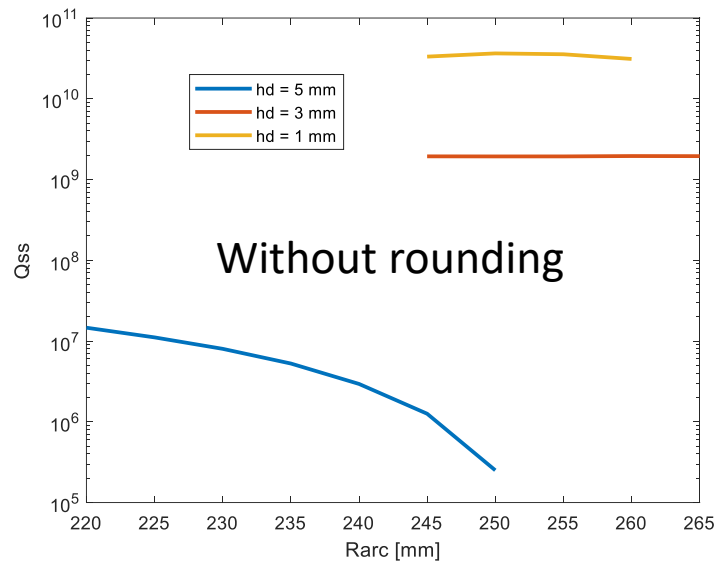


Preliminary RF design and tolerance study of the bowl cavity

Ping Wang, Alexej Grudiev

02.09.2022





With rounding

- Hd = 3mm
- Rounding = 2.6 mm
- Qss = 1.245e9

