



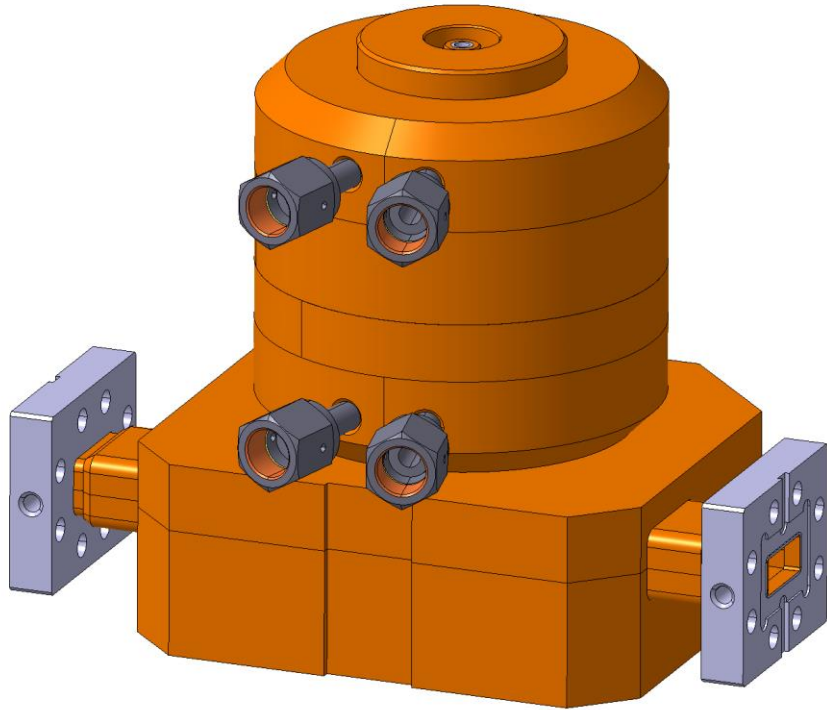
X-Band Corrector Cavities

Design review

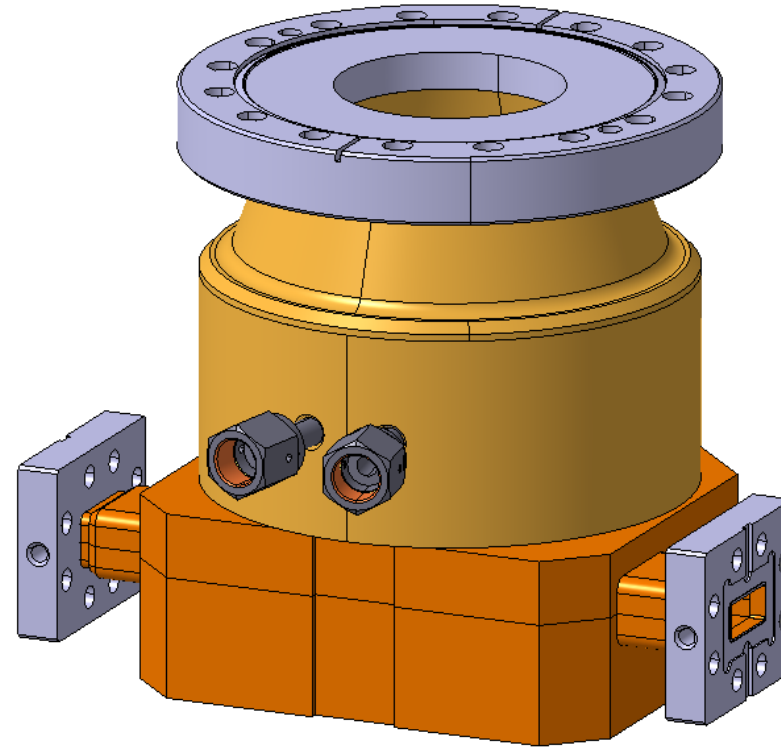
E.Berthomé – EN/MME

2022-08-19

Cavities design



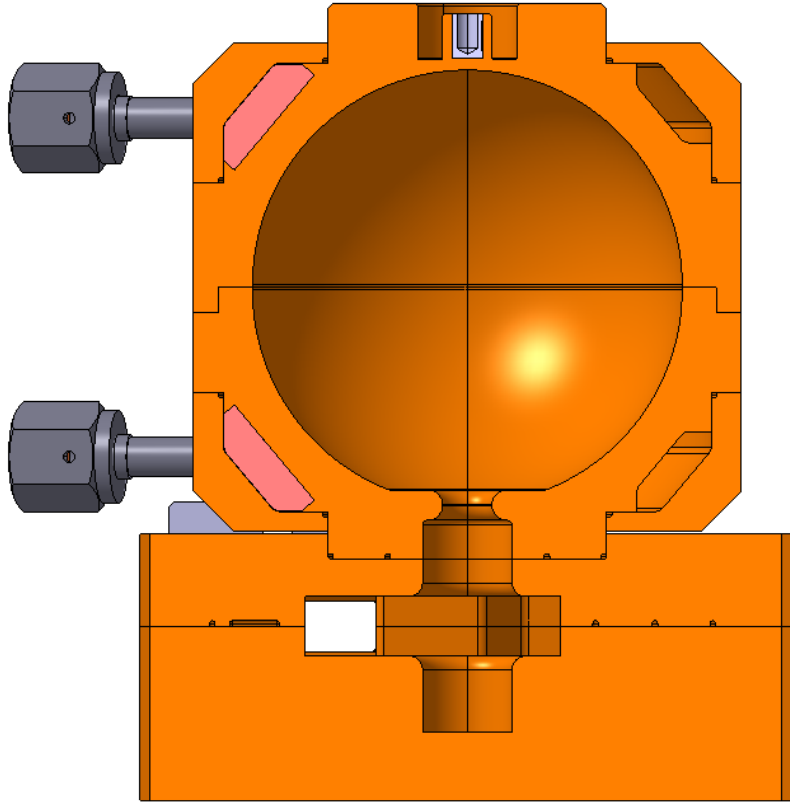
Spherical corrector cavity



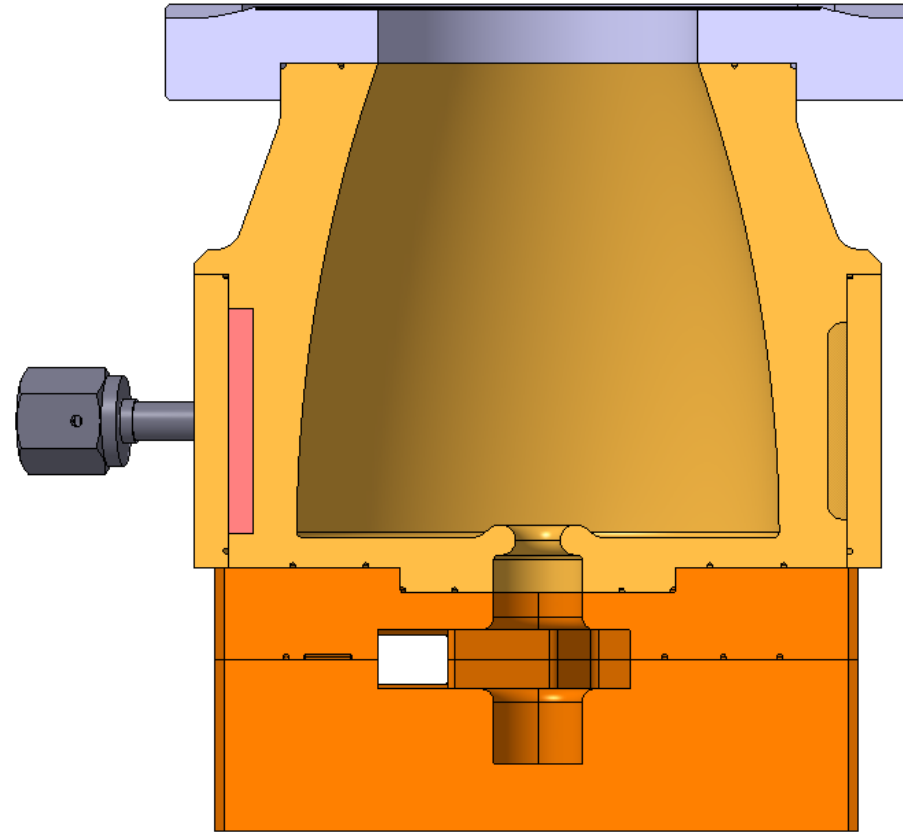
Bowl corrector cavity

Same RF waveguide design

Cavities design



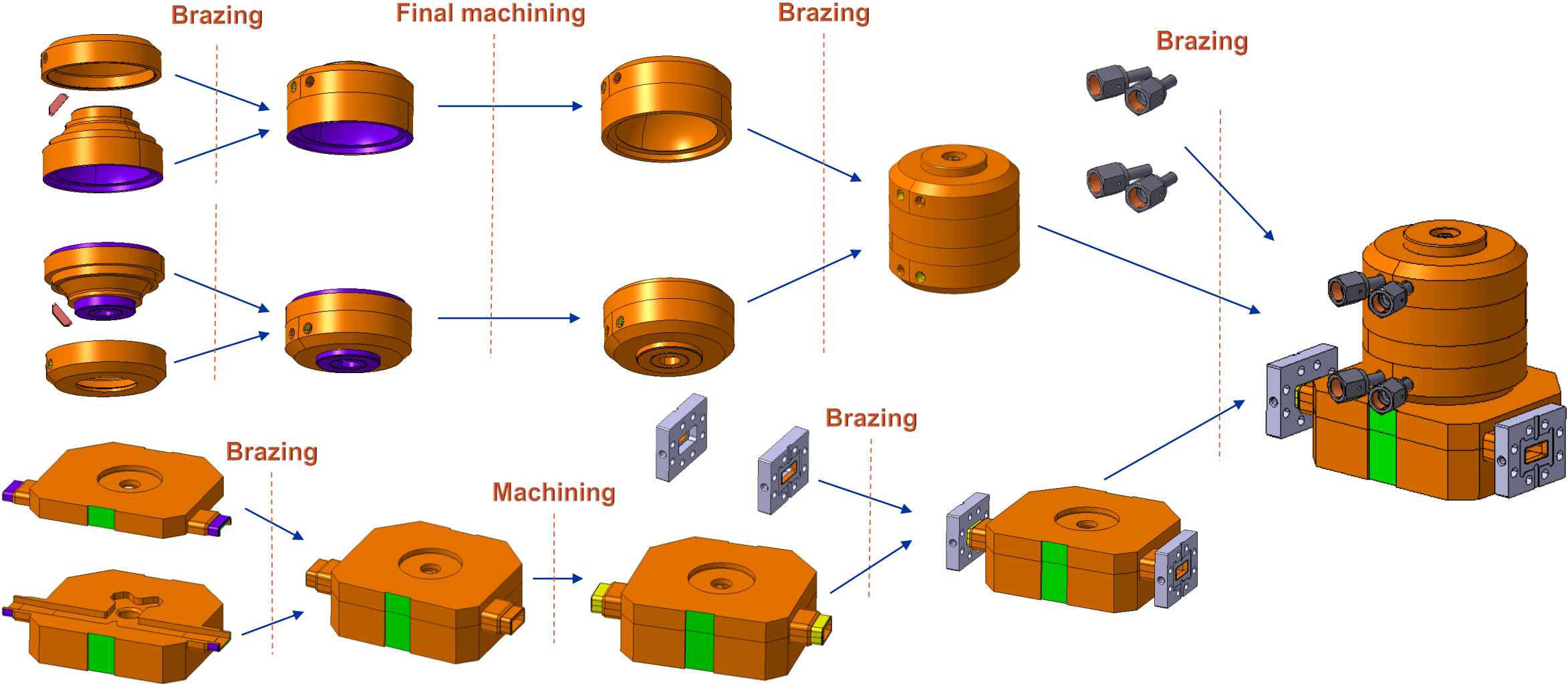
Spherical corrector cavity



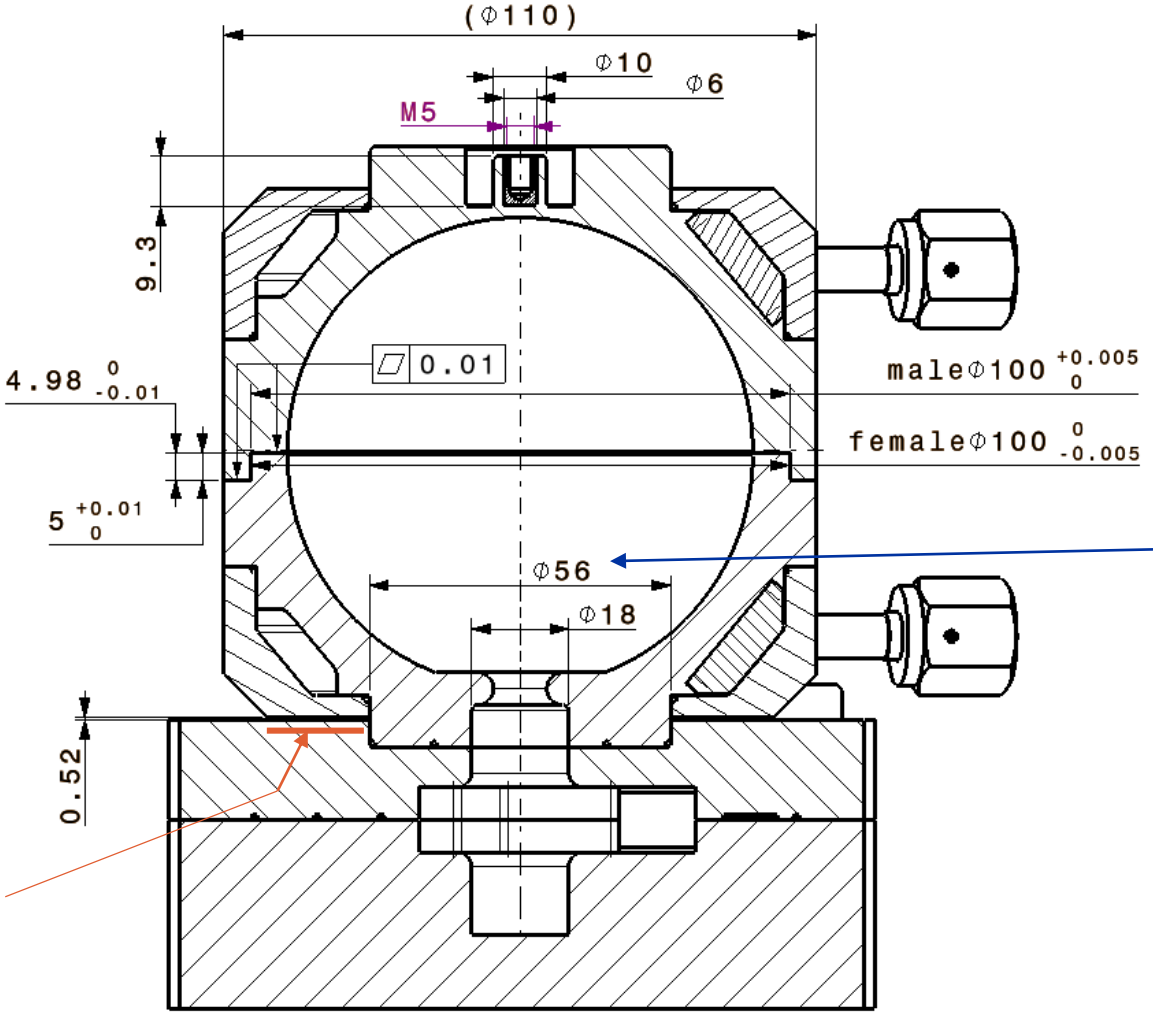
Bowl corrector cavity

Same RF waveguide design

Spherical cavity: Preliminary overview of fabrication sequence



Spherical corrector cavity

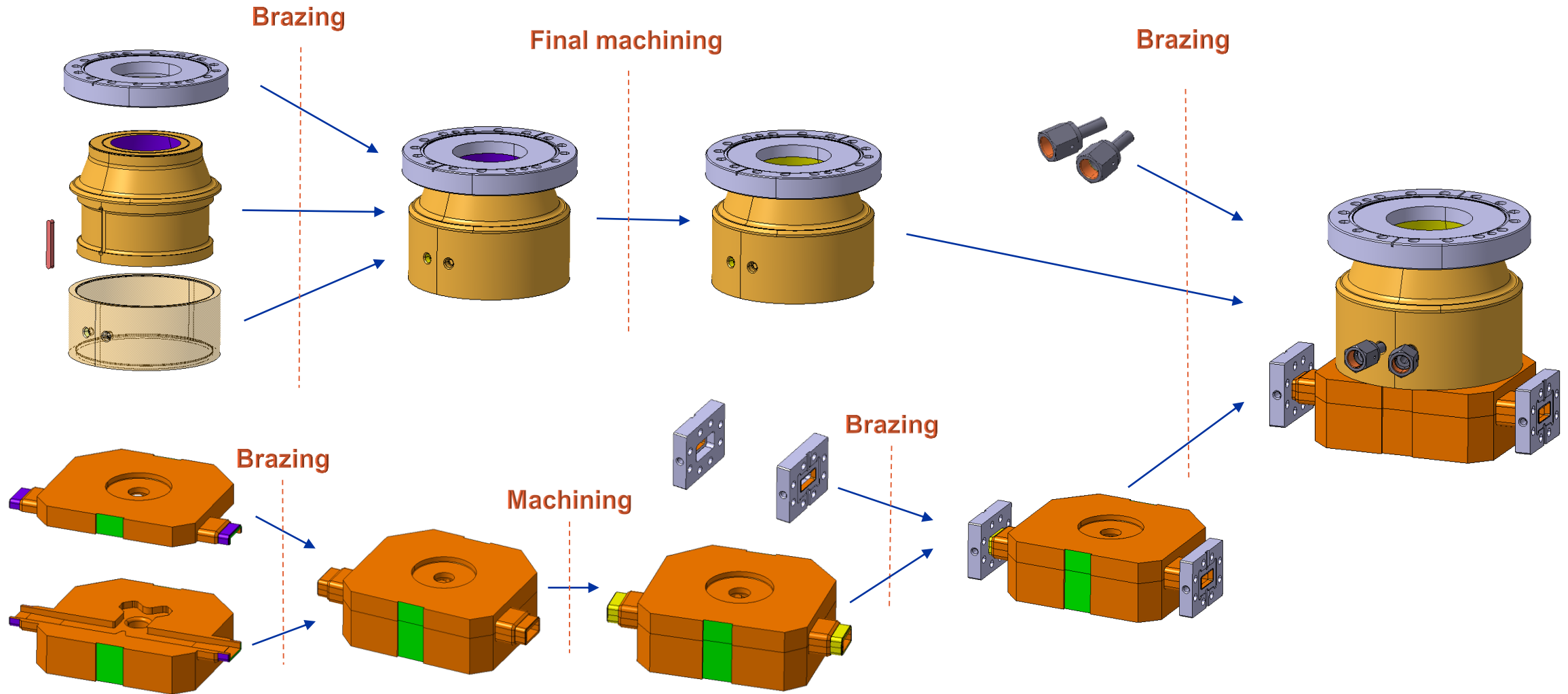


Gap: max 0
min -10 μ m (interference)

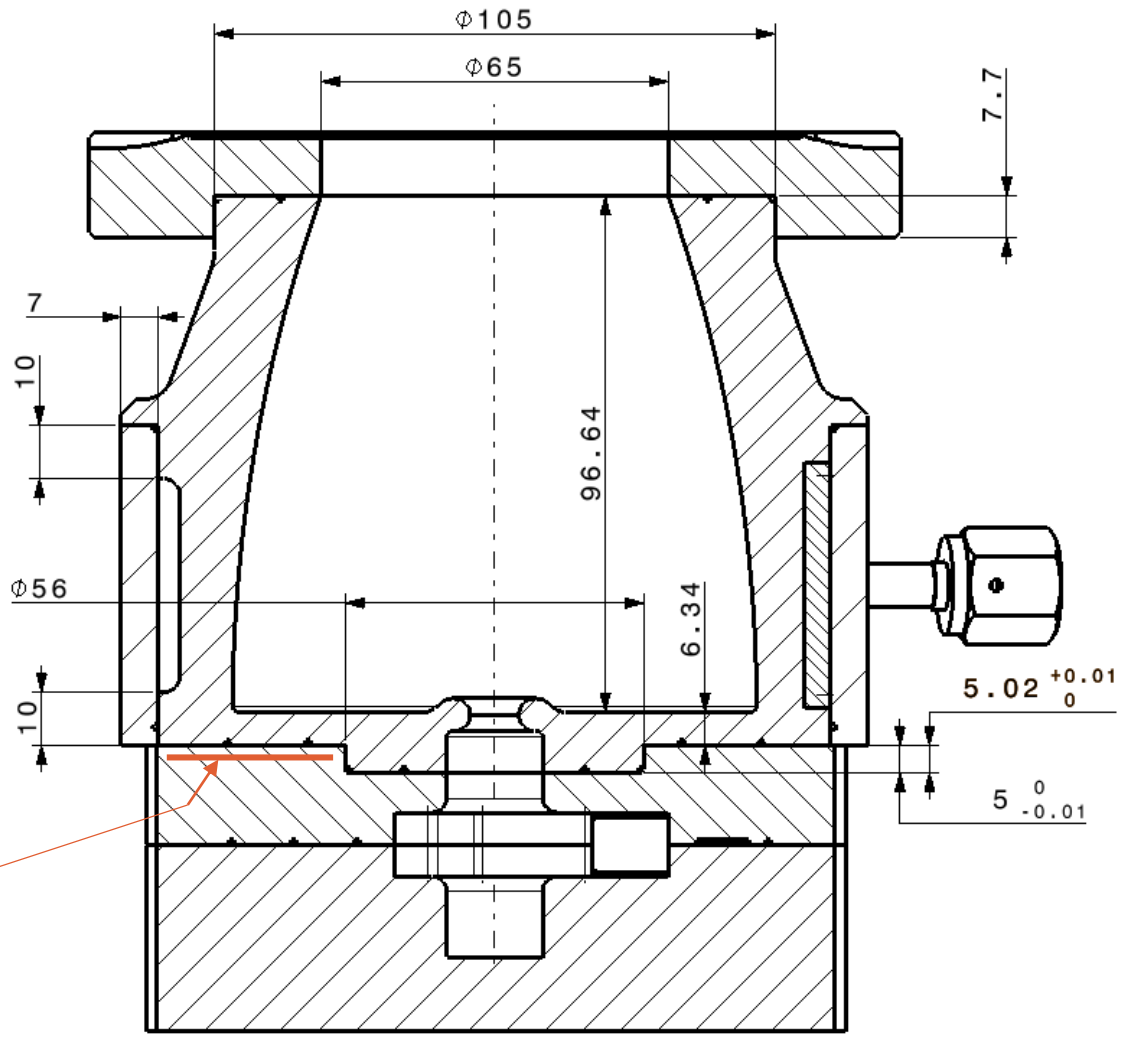
Same adjustment 0/-10 μ m or sliding fit?

Not brazed surface

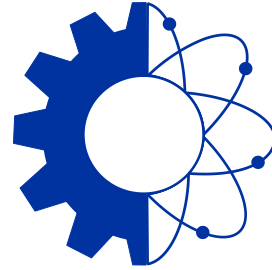
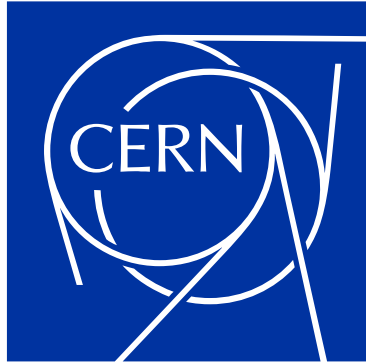
Bowl cavity: Preliminary overview of fabrication sequence



Bowl corrector cavity



brazed surface



**ENGINEERING
DEPARTMENT**

home.cern