

ossible

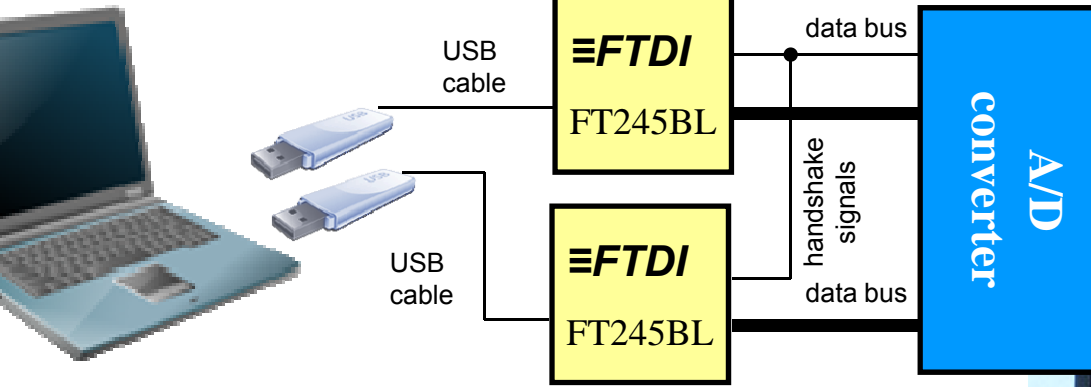


Fig. 4: Block diagram

Fig. 3: Read-out device with two USB connections

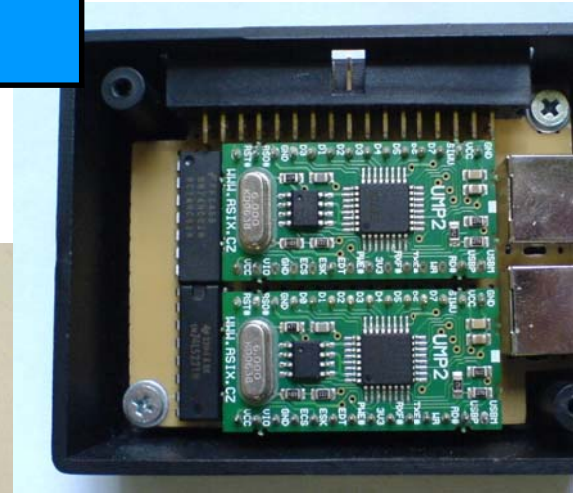


Fig. 5: Internal structure

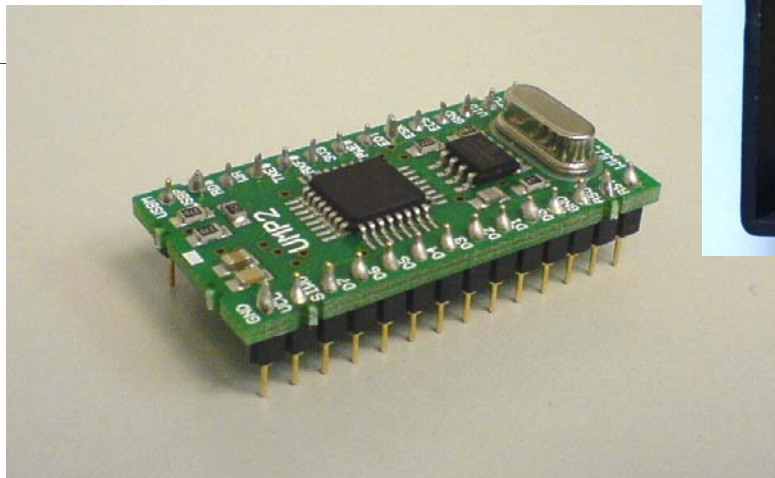


Fig. 6: UMP2 module

Test with a semi-continuous spectrum

Alpha source (^{241}Am) used;

A semi-continuous spectrum (Fig. 11) is obtained using varying energy loss of α -particles in air corresponding to varying distance between detector and source (Fig. 12);

No periodic errors found (Fig. 10);

Results of the developed DAQ system correspond to those obtained by the commercial instrument used;