

ossible



4: Block diagram

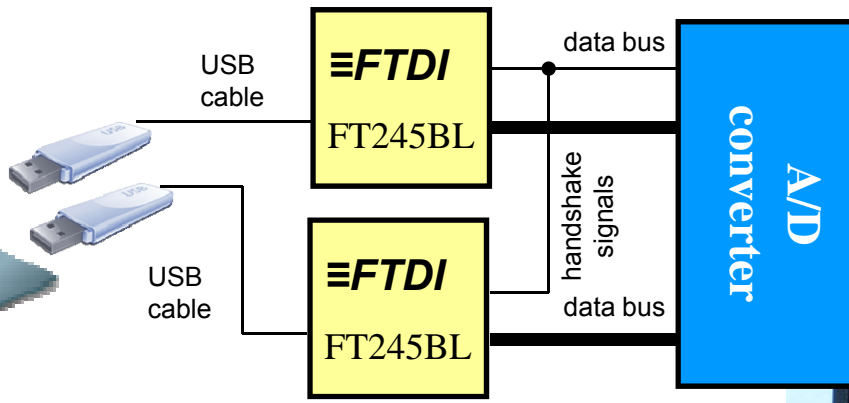


Fig. 3: Read-out device with two USB connections

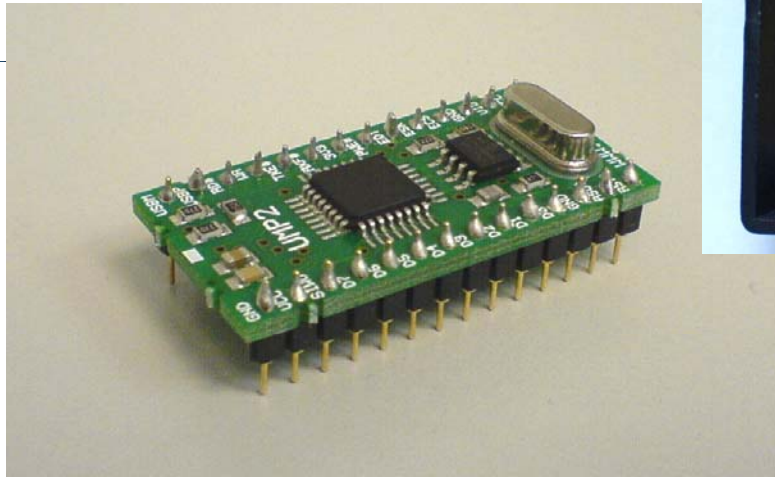


Fig. 6: UMP2 module

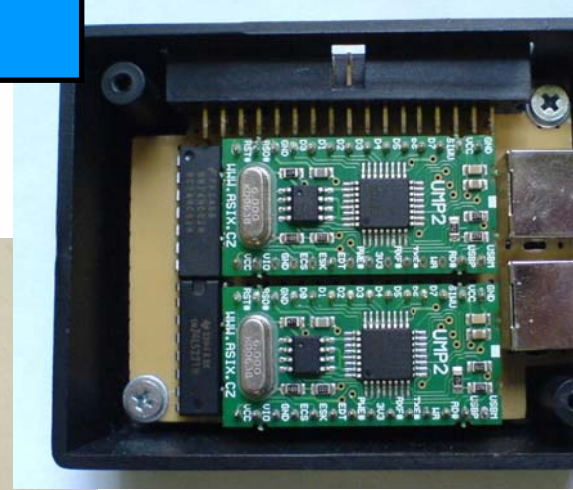


Fig. 5: Internal structure

# est with a semi-continuous spectrum

Alpha source( $^{241}\text{Am}$ ) used;

A semi-continuous spectrum (Fig. 11) is obtained using varying energy loss of  $\alpha$ -particles in air corresponding to varying distance between detector and source (Fig. 12);

No periodic errors found (Fig. 10);

Results of the developed DAQ system correspond to those obtained by the commercial instrument used;