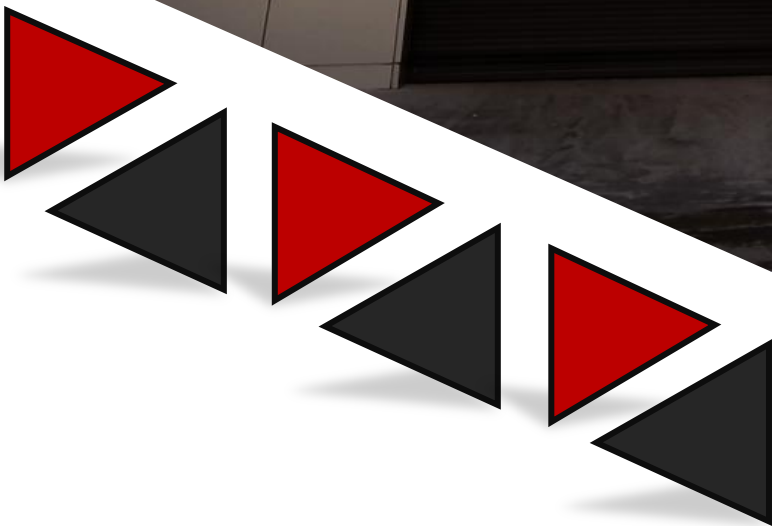




NAX
Machining Works



NAX
Machining Works

BROS N.AXAKALIS CO G.P.

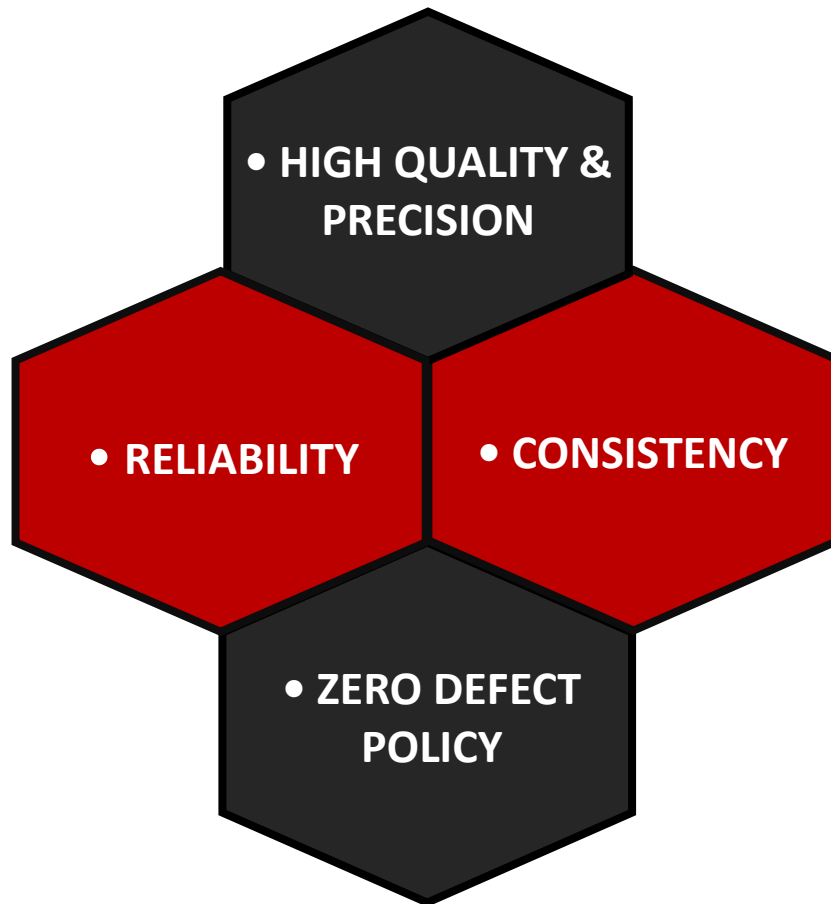
2022



- Company Name: **BROS N.AXAKALIS CO G.P.**
- Location: **Neo ikonio, Perama - GREECE**
- Address: **Monachou Samouel 10, Perama**
 - Year of establishment: **1957**

About our company

Four basic principles:



Continuous investments in both

Human resources training

State-of-the-art mechanical equipment

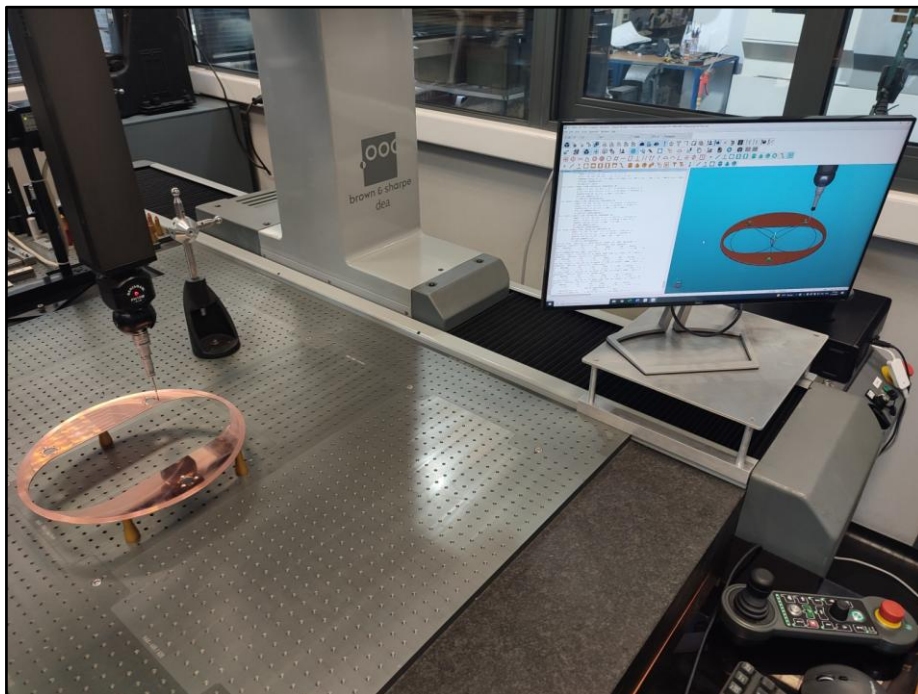
22 years of cooperation with **DEFENSE INDUSTRIES**
offered us a **MULTIFACED KNOW-HOW**

OUR EQUIPMENT



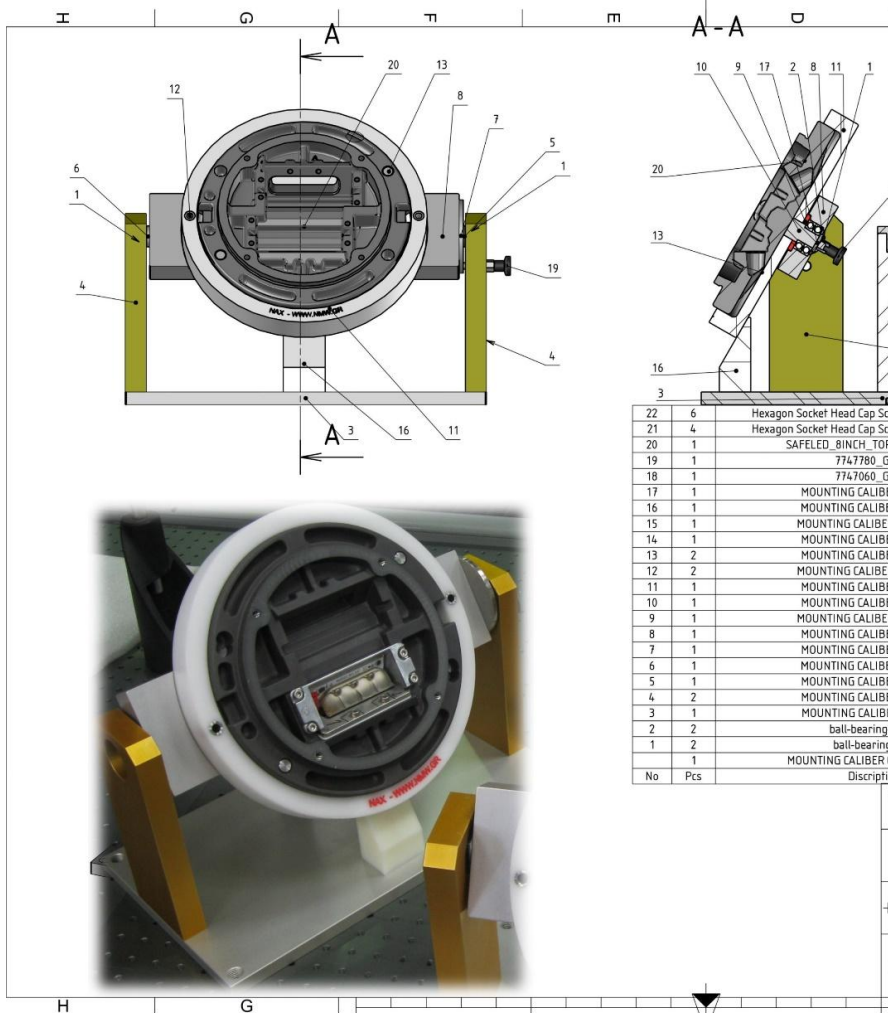
Quality control

- Controlled temperatures in production and quality areas.
- 3D measures via a CMM.
(Strokes 1400mm x 860mm x 660mm, driven by PC-DMIS CAD).
- Comparator.
- Wide variety of gauges.
- Surface treatment indicators.
- Roughness indicators.
- Thickness tube indicators (ultrasonic).
- Hardness indicators.
- Conductivity indicator.



Our services

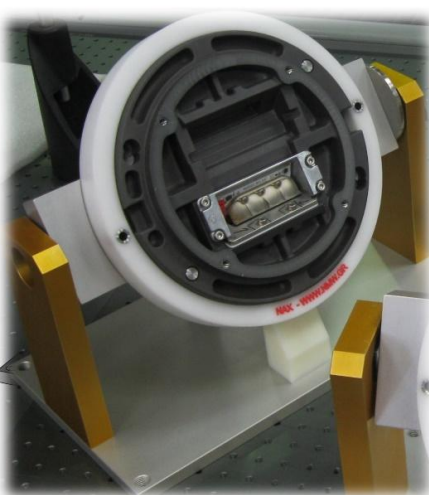
Design



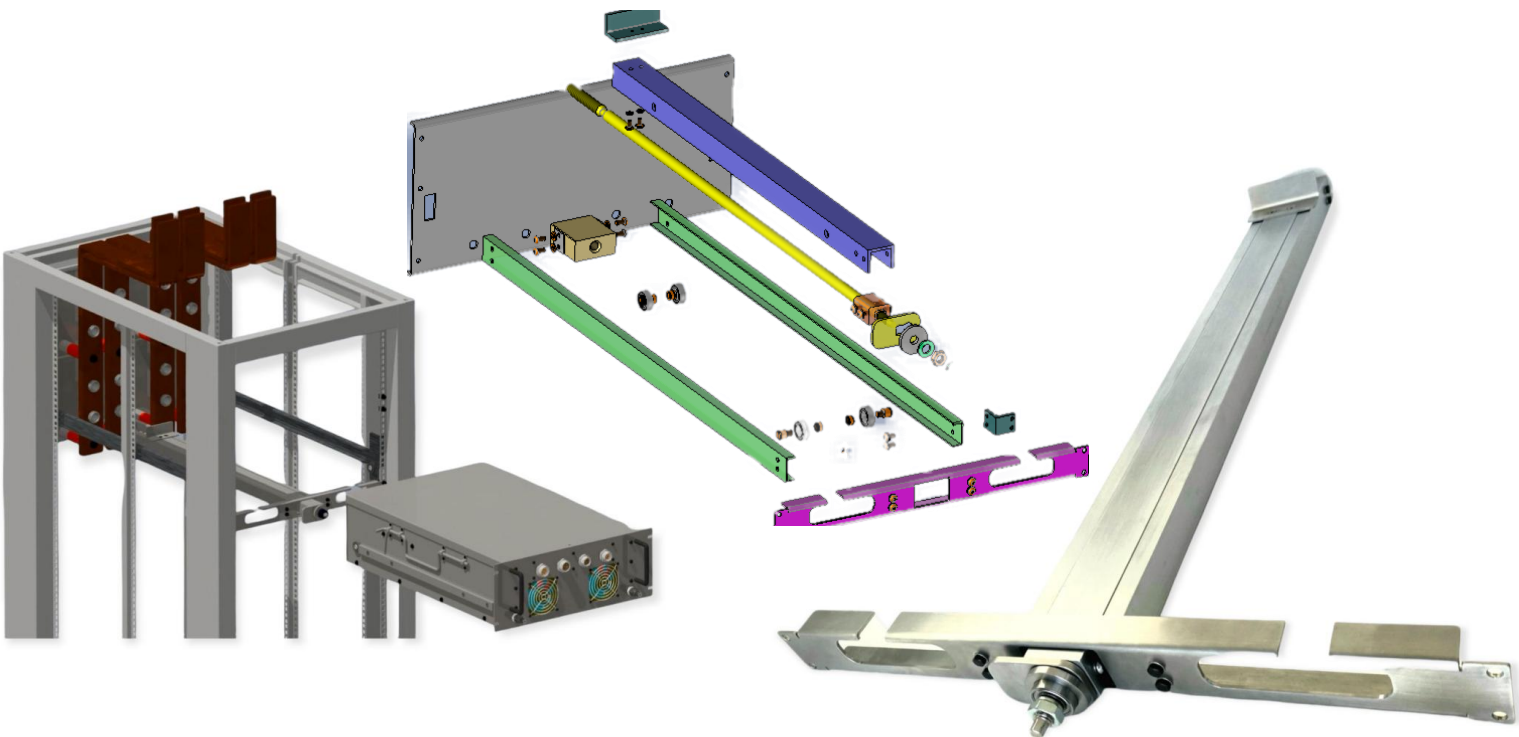
A	B	C	D
INDEX	DATE	AUTHOR	COMMENT

22	6	Hexagon Socket Head Cap Screw ISO 4762 - M6 x 16		Steel	0,04kg
21	4	Hexagon Socket Head Cap Screw ISO 4762 - M4 x 16		Steel	0,01kg
20	1	SAFELED_8INCH_TOP_COVER_BI_M			
19	1	774780_GAMM	M.008.004.17	S300	
18	1	7747060_GAMM	M.008.004.16	S300	
17	1	MOUNTING CALIBER COVER 15	M.008.004.15	Aluminium AW-5086 EN 573	0,00kg
16	1	MOUNTING CALIBER COVER 14	M.008.004.14	Polyamide 6-6	
15	1	MOUNTING CALIBER COVER 13-1	M.008.004.13-1	Polyamide 6-6	0,01kg
14	1	MOUNTING CALIBER COVER 13	M.008.004.13	Aluminium AW-5086 EN 573	0,19kg
13	2	MOUNTING CALIBER COVER 12	M.008.004.12	316L	0,04kg
12	2	MOUNTING CALIBER COVER 09-1	M.008.004.09-1	316L	0,02kg
11	1	MOUNTING CALIBER COVER 09	M.008.004.09	Polyamide 6-6	0,69kg
10	1	MOUNTING CALIBER COVER 08	M.008.004.08	Aluminium AW-5086 EN 573	0,02kg
9	1	MOUNTING CALIBER COVER 06-1	M.008.004.06-1	Polyamide 6-6	0,00kg
8	1	MOUNTING CALIBER COVER 06	M.008.004.06	Aluminium AW-5086 EN 573	1,31kg
7	1	MOUNTING CALIBER COVER 05	M.008.004.05	316L	0,10kg
6	1	MOUNTING CALIBER COVER 04	M.008.004.04	316L	0,06kg
5	1	MOUNTING CALIBER COVER 03	M.008.004.03	Aluminium AW-5086 EN 573	0,02kg
4	2	MOUNTING CALIBER COVER 02	M.008.004.02	Aluminium AW-5086 EN 573	1,17kg
3	1	MOUNTING CALIBER COVER 01	M.008.004.01	Aluminium AW-5086 EN 573	2,20kg
2	2	ball-bearing-KOYO	16002-2Z		
1	2	ball-bearing-SKF	6202-2RS		
1	1	MOUNTING CALIBER COVER 8"-2017			5,90kg
No	Pcs	Discription	Part Number	Material	Weight

MATERIAL: SEE BOM		TREATMENT: ANODIZED	GENERAL TOLERANCE: ISO 2768-mK	SURFACE ROUGHNESS Ra 3.2	DIMENSIONS ARE IN MILLIMETERS	
SCALE 3:10	DESIGN F.Minopetros	DATE 20/11/2017	BREAK CORNERS : 0.3mm	A3		
CHECK N.Axakalis	DATE 20/11/2017	KERP: 12418				
APPROVE J.Axakalis	DATE 20/11/2017	SUBJECT: MOUNTING CALIBER COVER	REV: -	PAGE 1/2		
PART No: -			DWG No: 8"			



R&D – Research and development



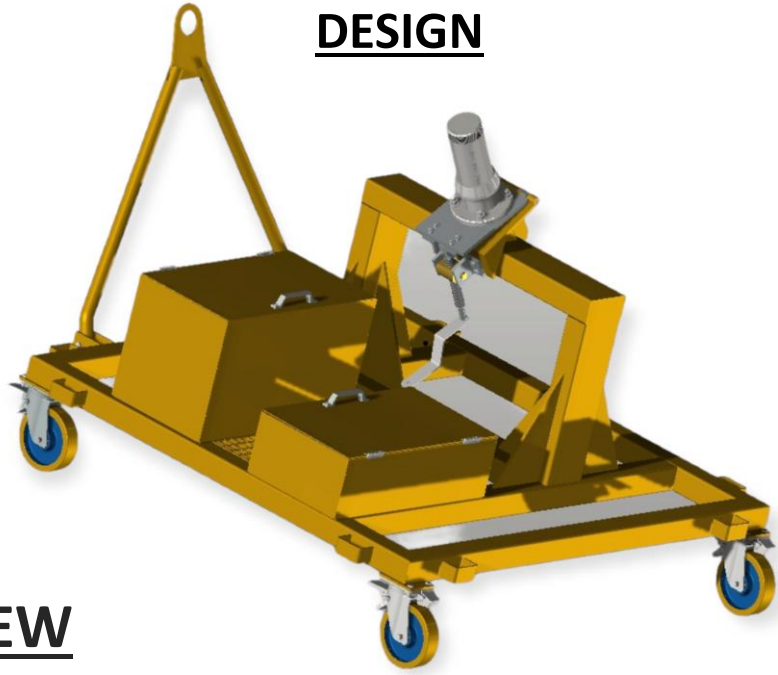
Our services

Reverse engineering

OLD



DESIGN

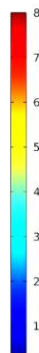
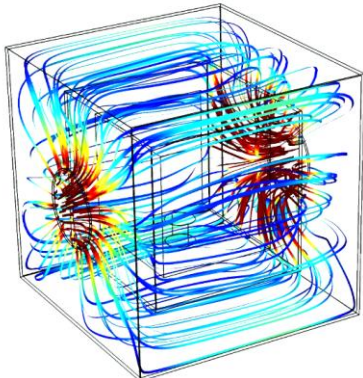


NEW



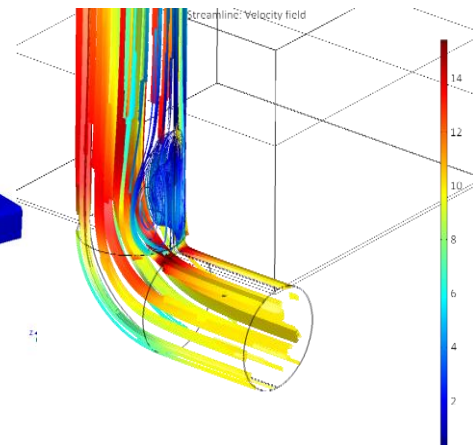
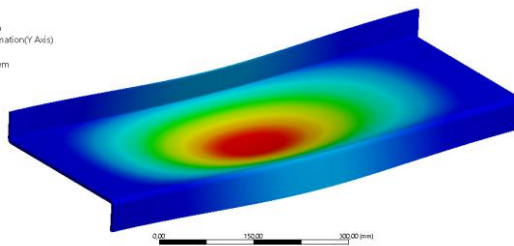
Finite Element Analysis (FEA)

Streamline: Velocity field Streamline Color: Velocity magnitude (m/s)



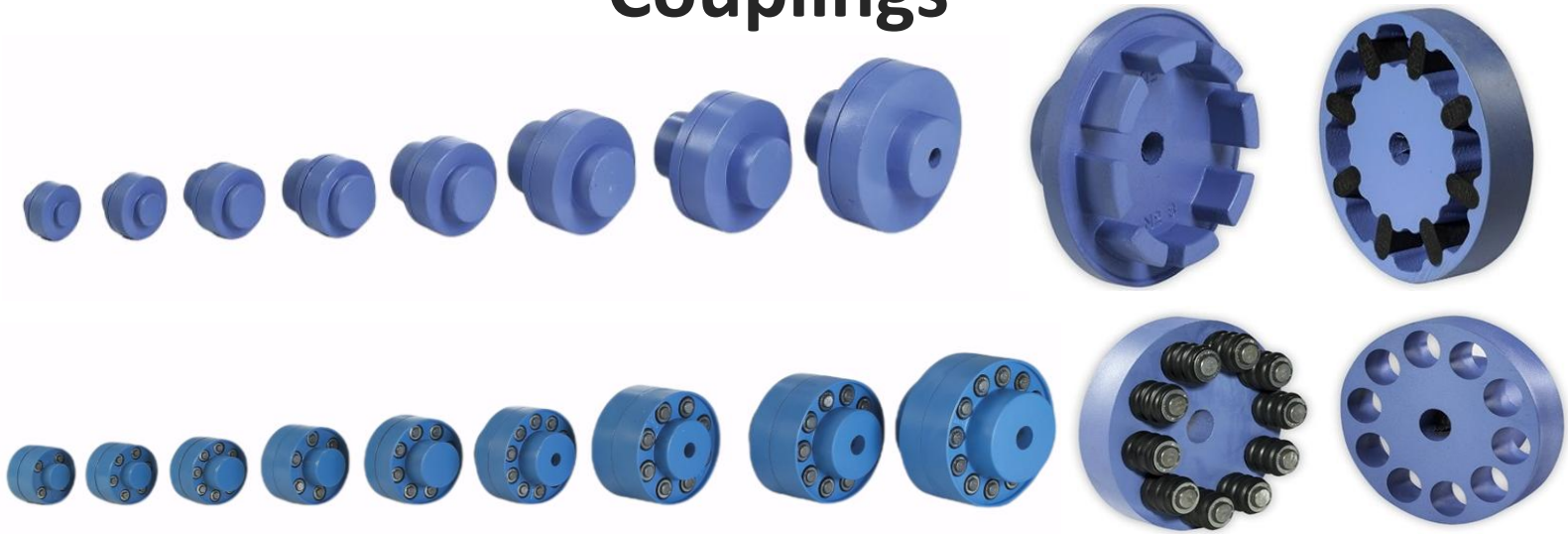
B: Static Structural
Directional Deformation
Type: Directional Deformation (Y Axis)
Unit: mm
Global Coordinate System
Time: 1

0.29 Max
0.25
0.22
0.19
0.16
0.13
0.095
0.064
0.032
0 Min

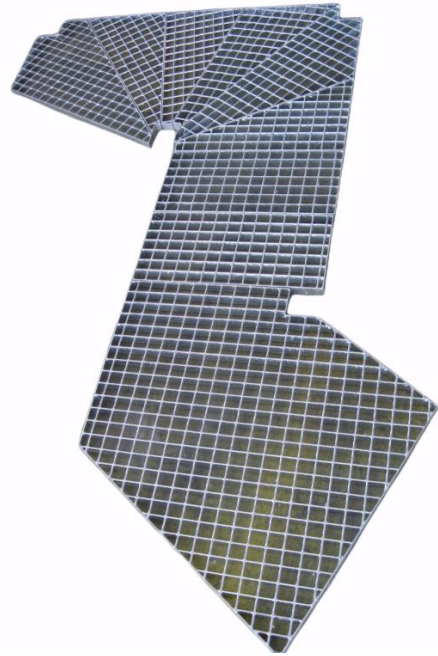


Our products

Couplings



Gratings



Choosing NAX

- **22 years experience in defense industry & 65 years in general machining.**
- **8 years flawless collaboration with CERN – 643 purchase orders– more than 1000 different part numbers – more than 10.000 pieces - 0% DEFECT**
- **Capabilities**

Milling, Turning, Grinding, Welding, Cutting (Plasma – Oxygen – Saw vertical/horizontal), Broaching, Sand/ Glass bead blasting, Deburring, Pressing, Punching, Assembling, Honing, Grinding, Laser marking.
- We undertake **complete projects**. Research, design, mechanical drawing, manufacturing, assembling and measurements by CMM.
- **Quality Management System**

Quality Management System according to international standard:
ISO 9001:2015
- **Audits the last 19 years, over:**
 - 54 Audits from clients (Such as: **Dassault Aviation, DCNS Naval, Hellenic Aerospace Hellenic Air Force, Intracom Defense Electronics, K.M.W, Raytheon, Thales Airborne Systems** etc.).
 - 22 Audits from BVQI
 - 237 Internal audits



+30 2104316628 / +30 2104310603



info@nmw.gr



Monachou Samouil 10, 18863 Perama - GREECE



www.nmw.gr