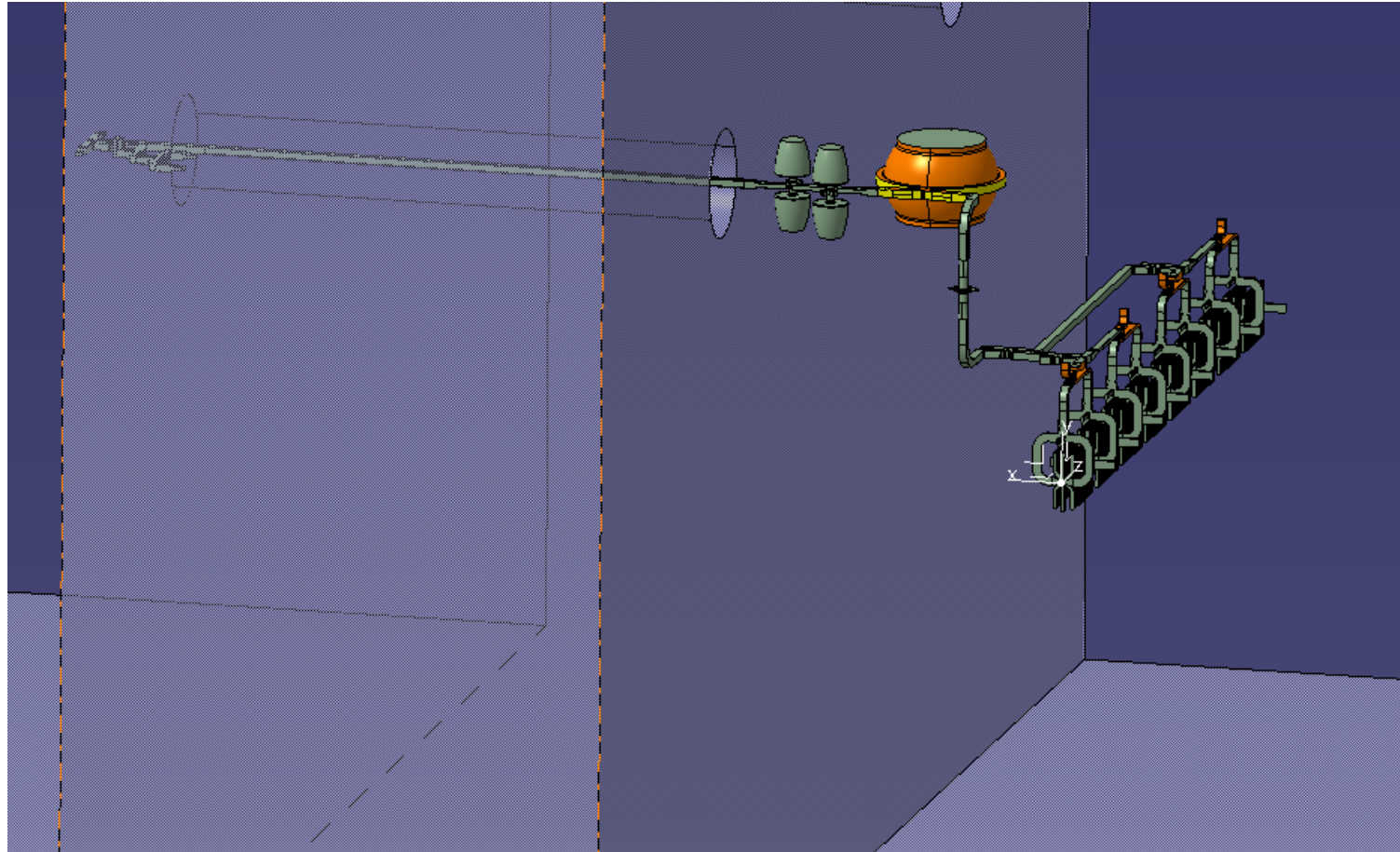


# K-CLIC Tunnel Spacing

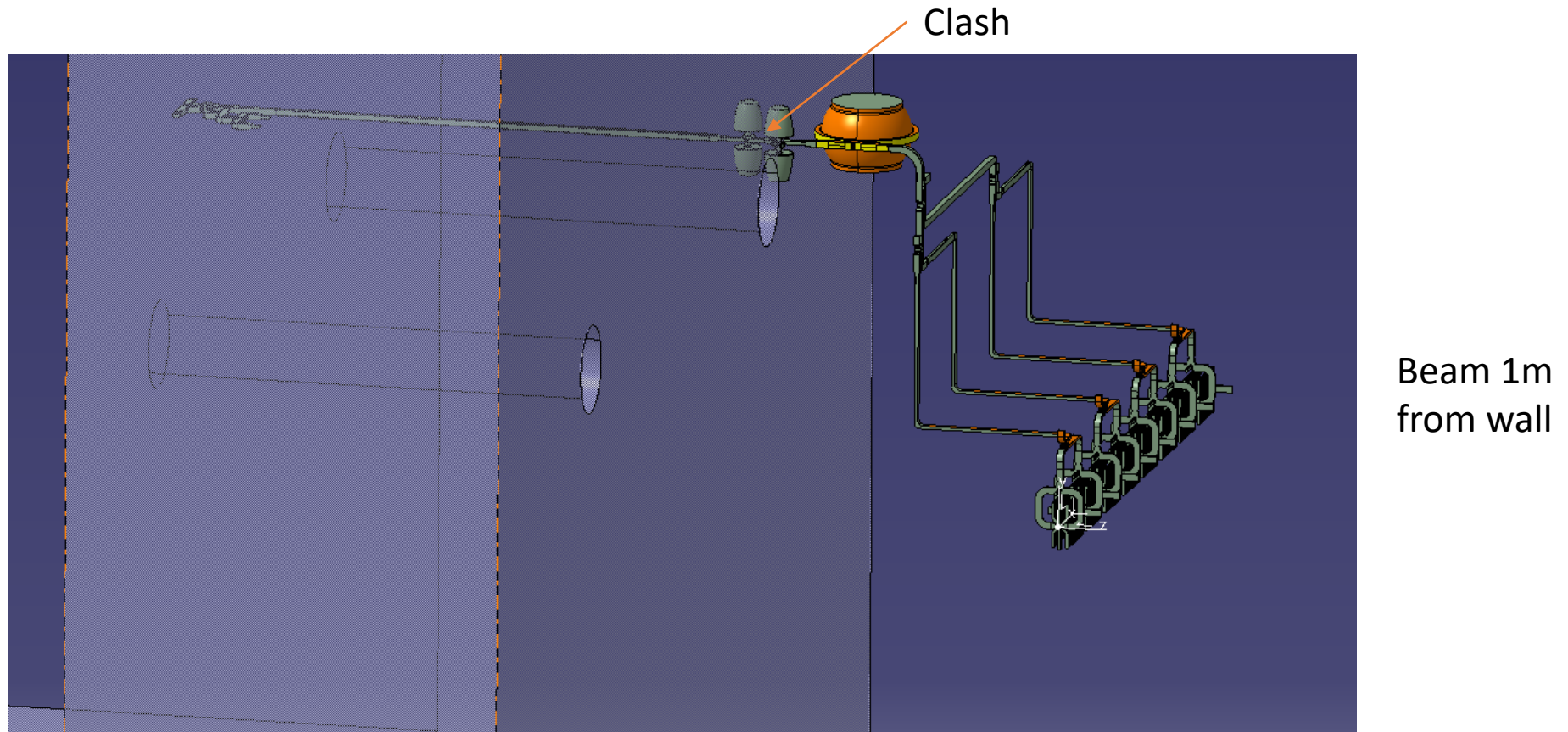
Matthew Capstick

# Choke Mode Module

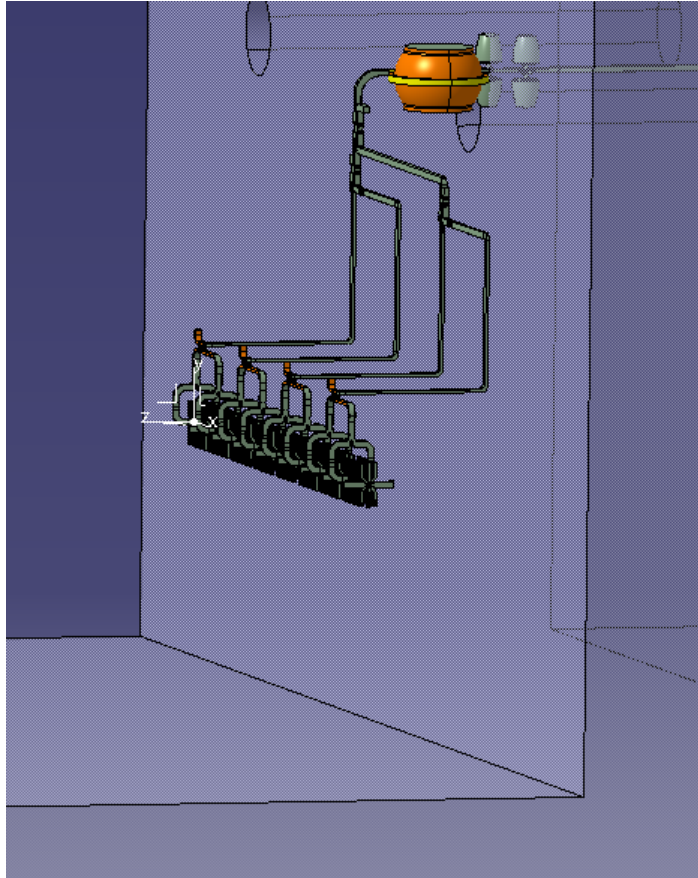


Beam 1m  
from wall

# L-Waveguide Module

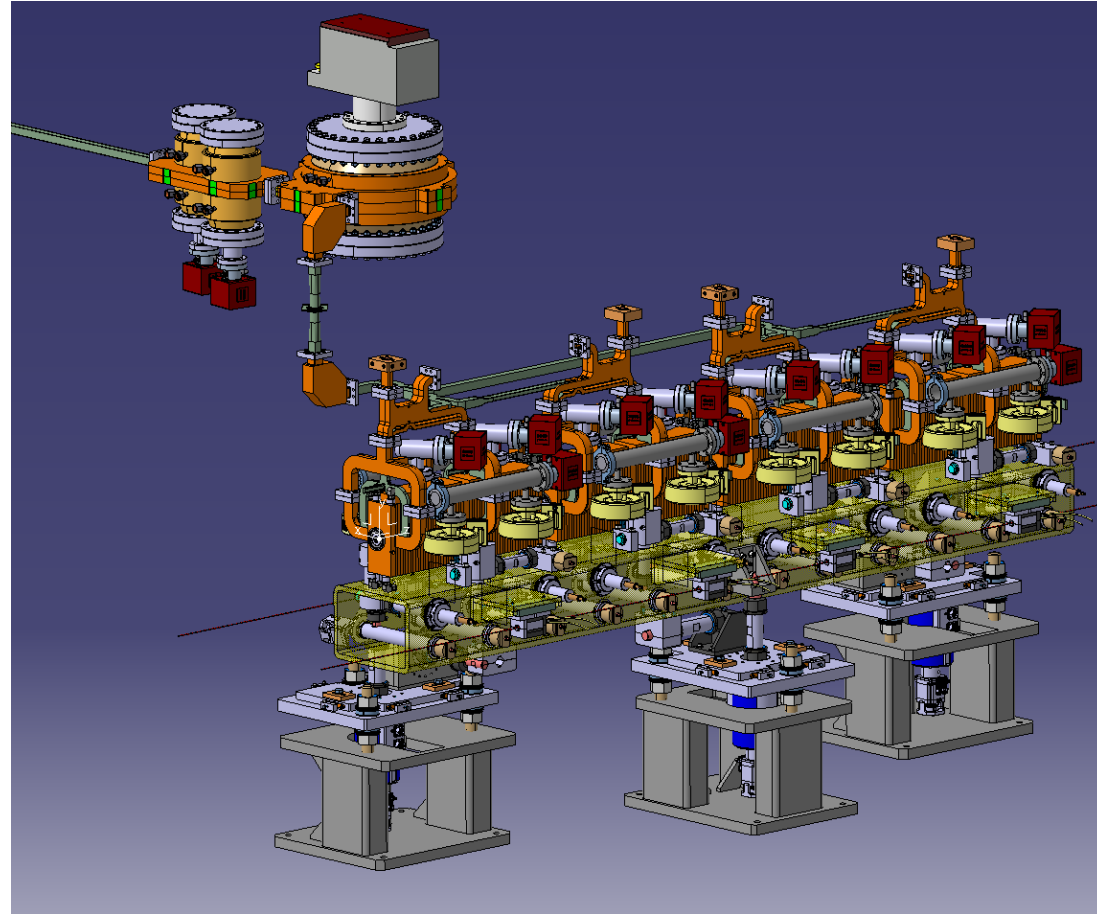


# L-Waveguide Module



- We have available height due to the height of the klystron window
- It is possible that a L shaped waveguide could be found which achieves the same flexibility, and fits within the available space
  - Taller and narrower

# Fitting Components



# Structure Splitter Design

