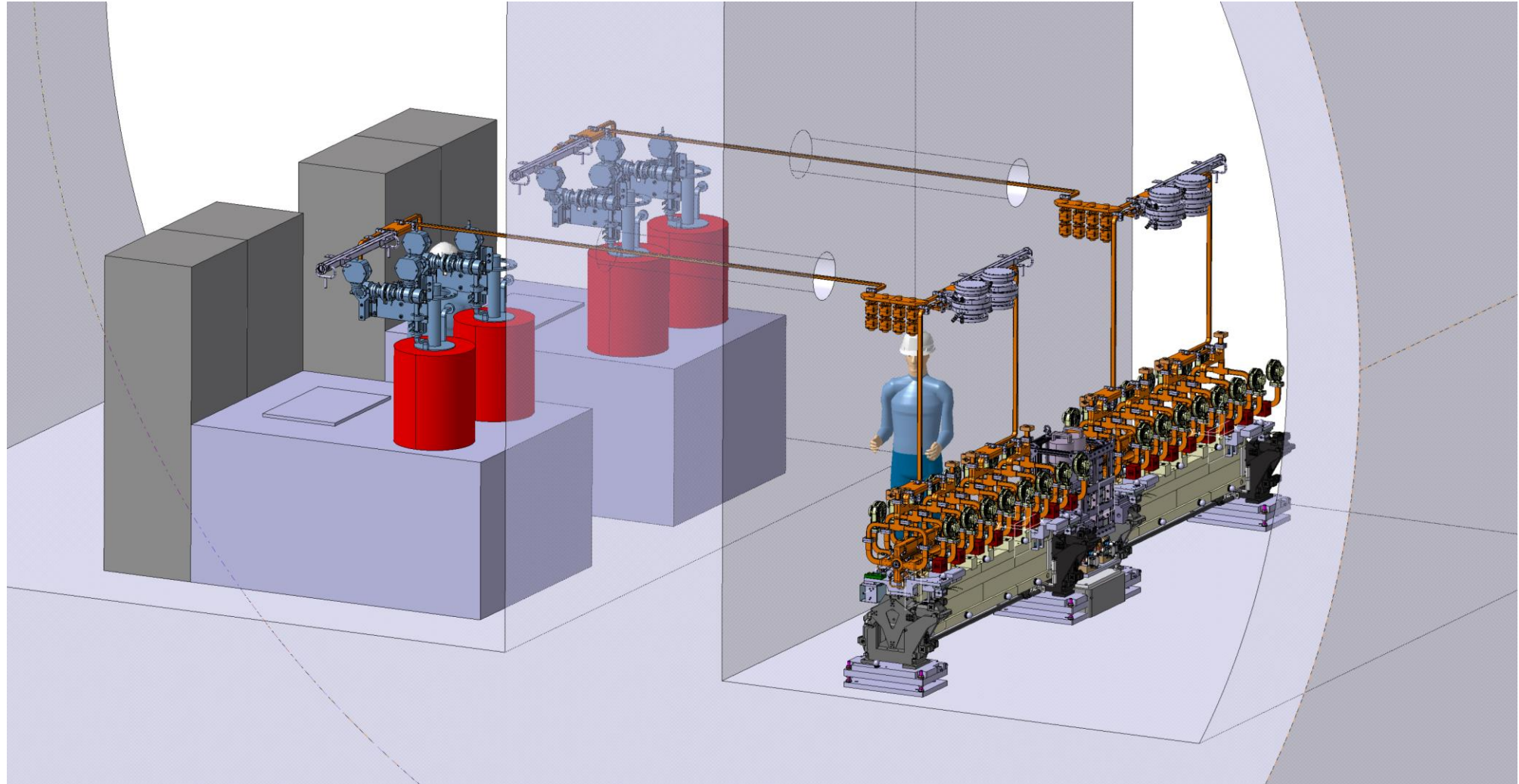
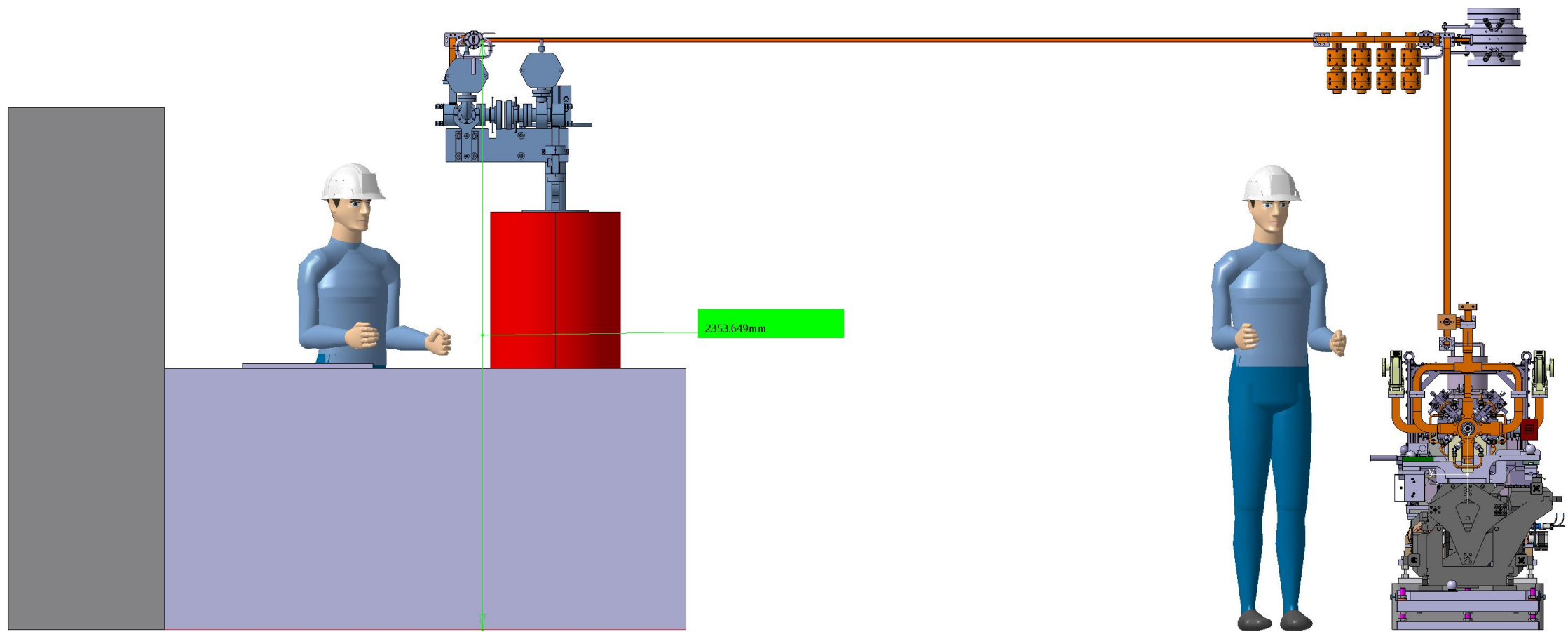


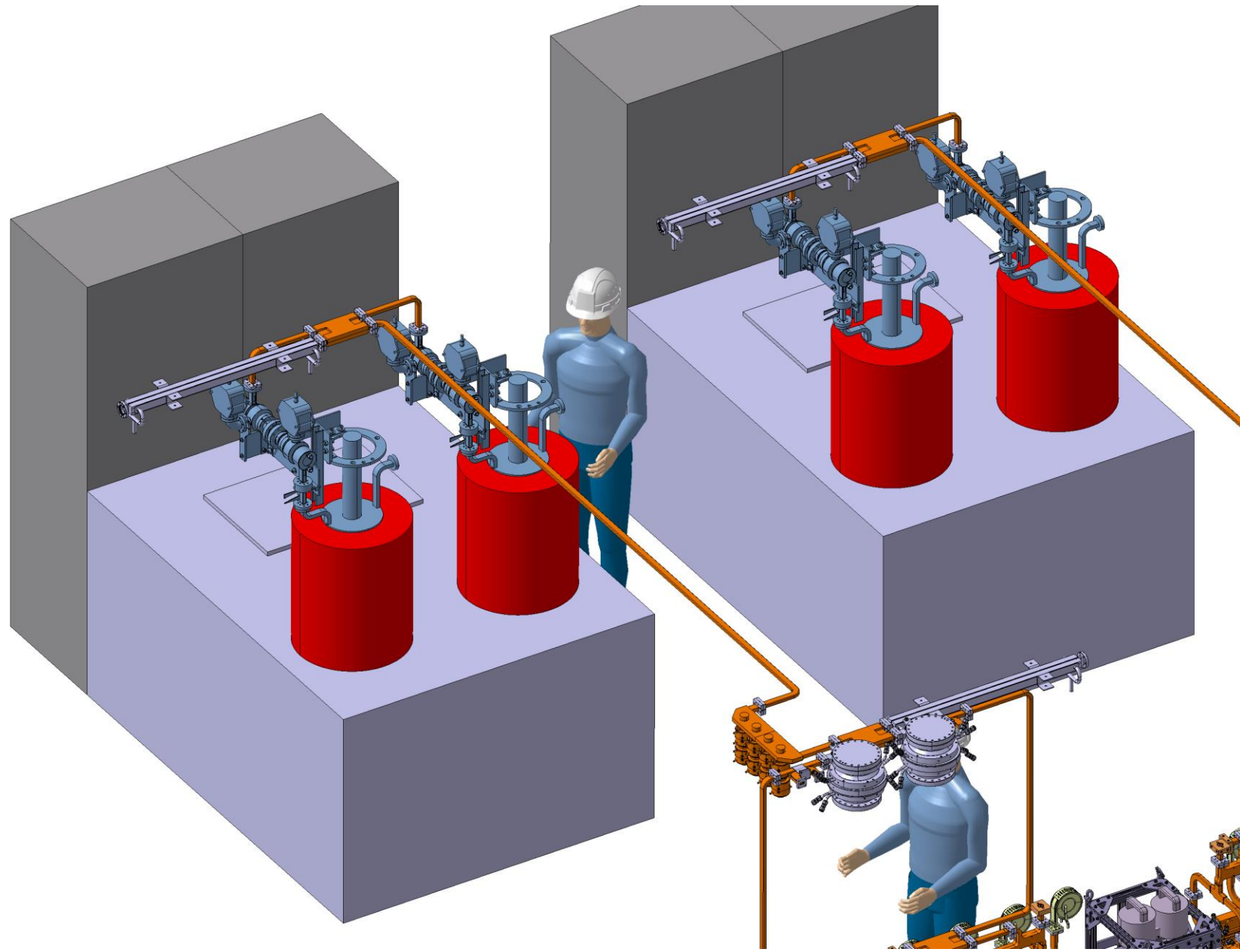
Klystron Module Configurations

Matthew Capstick

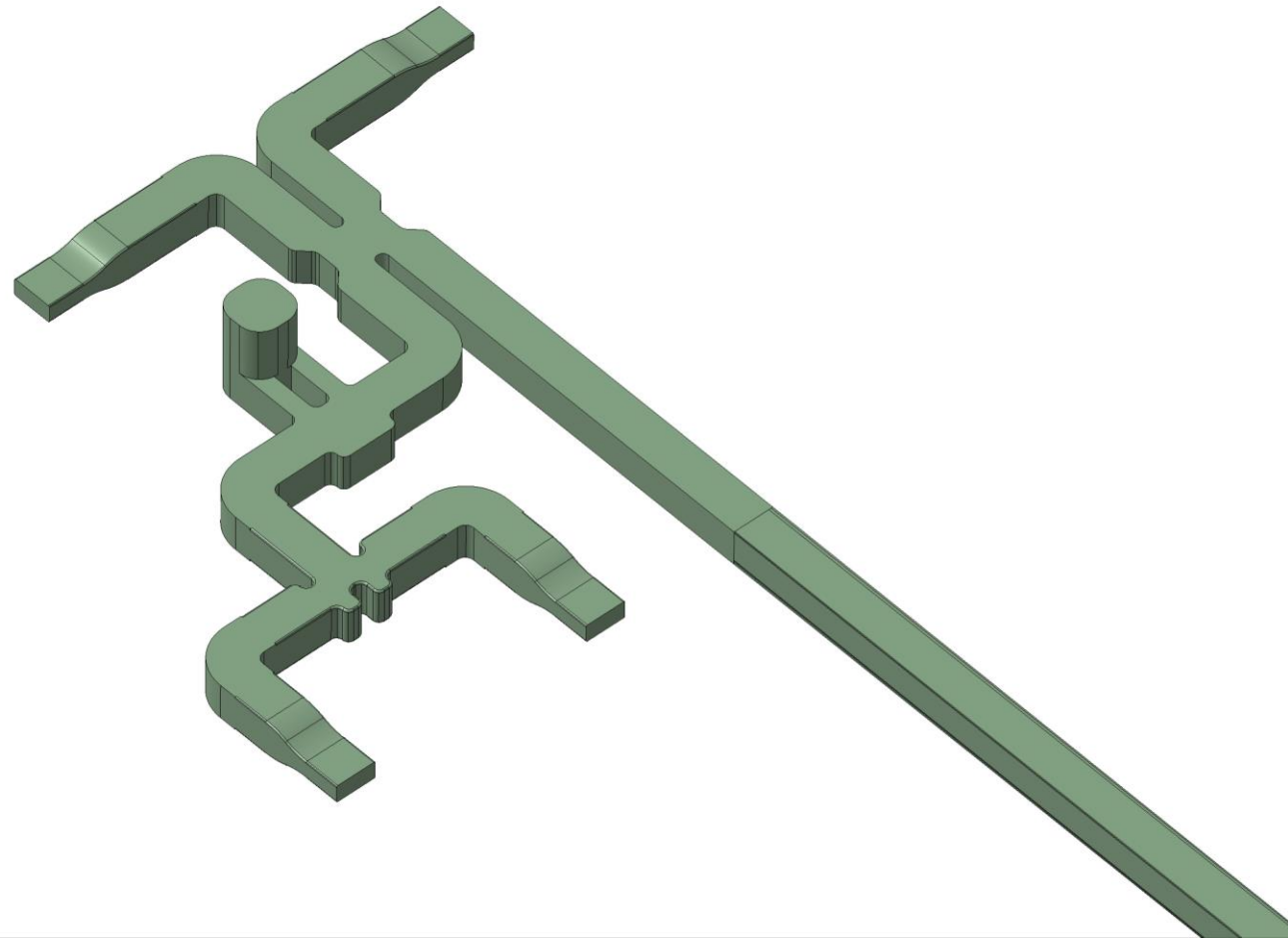
25-10-2023



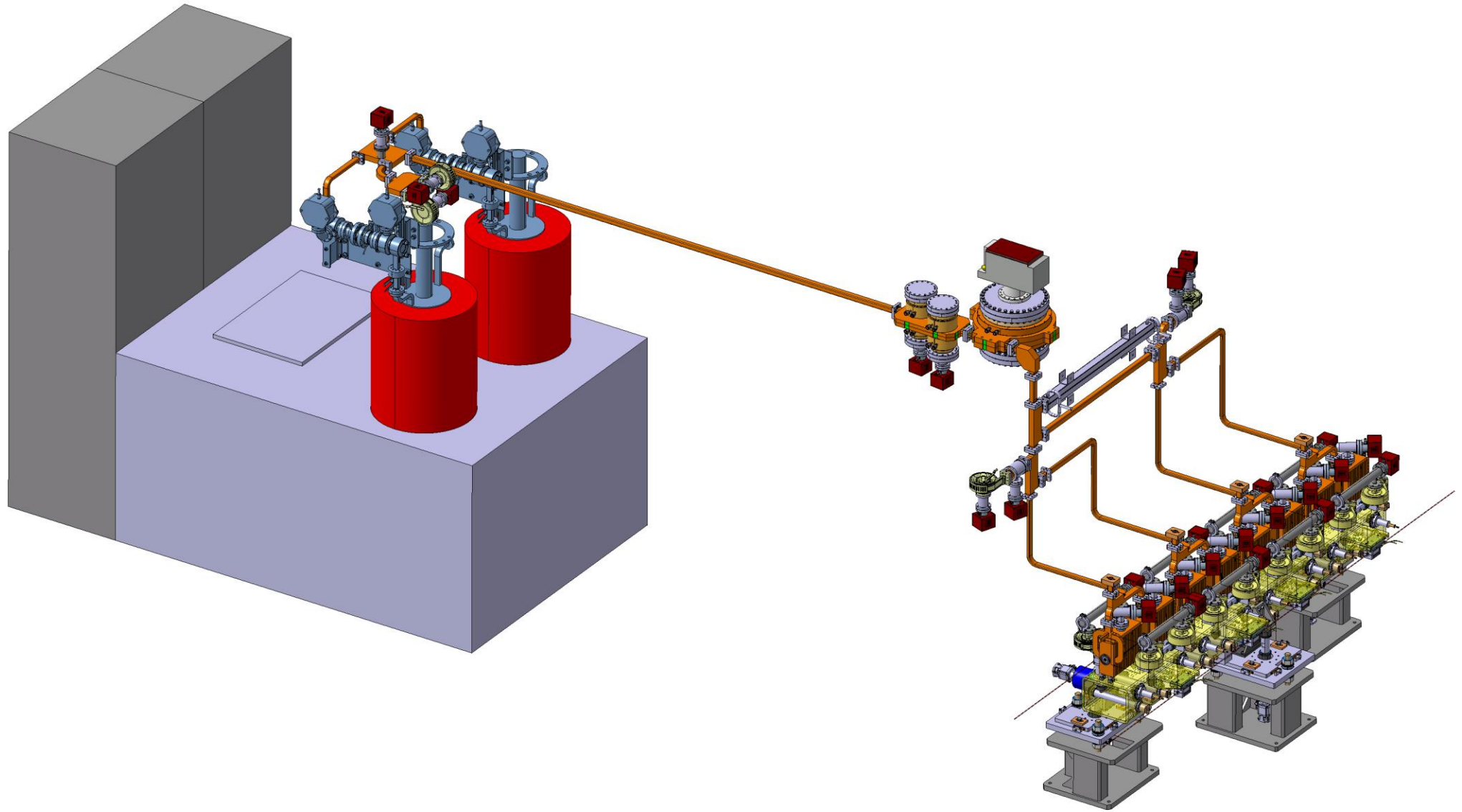


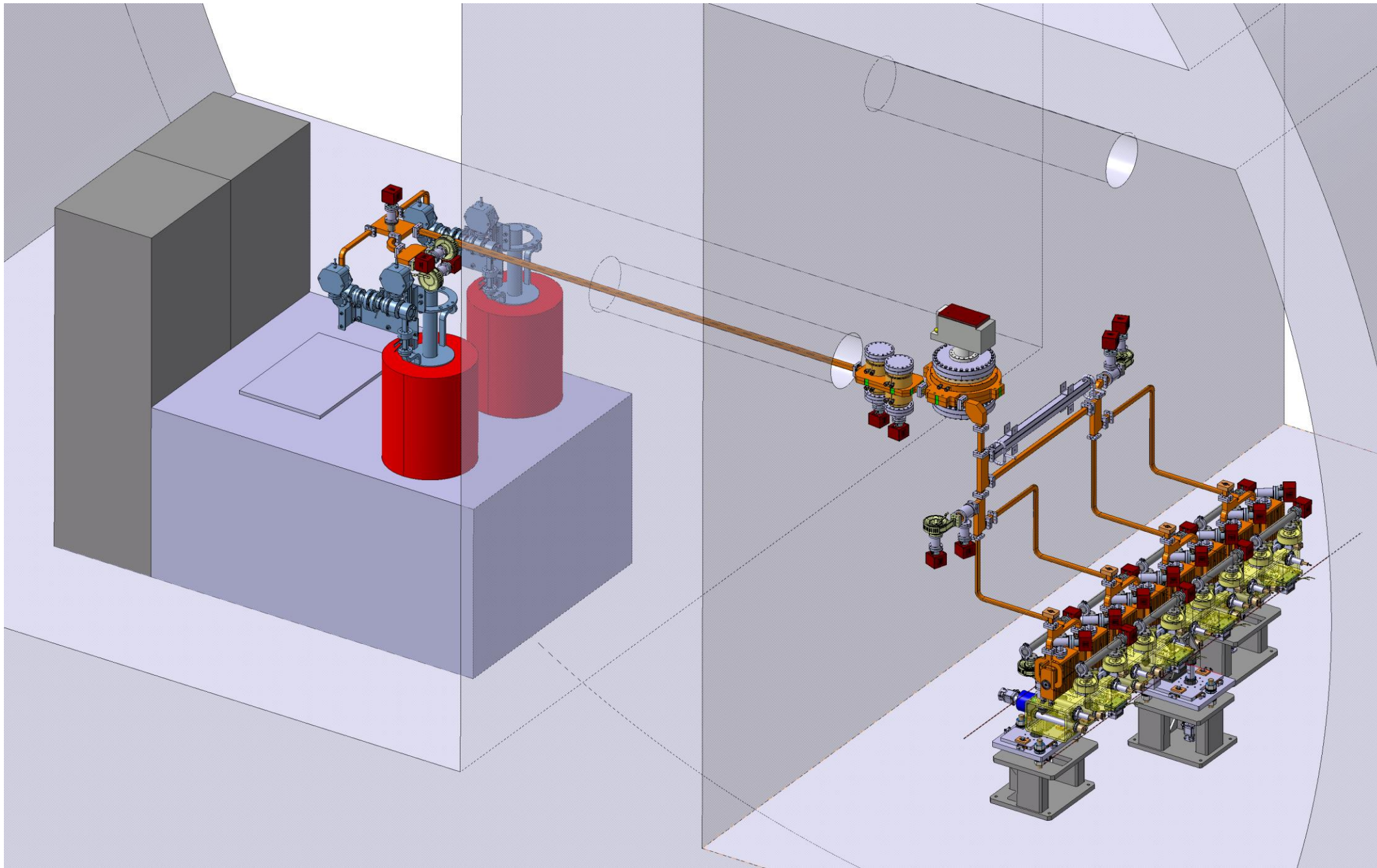


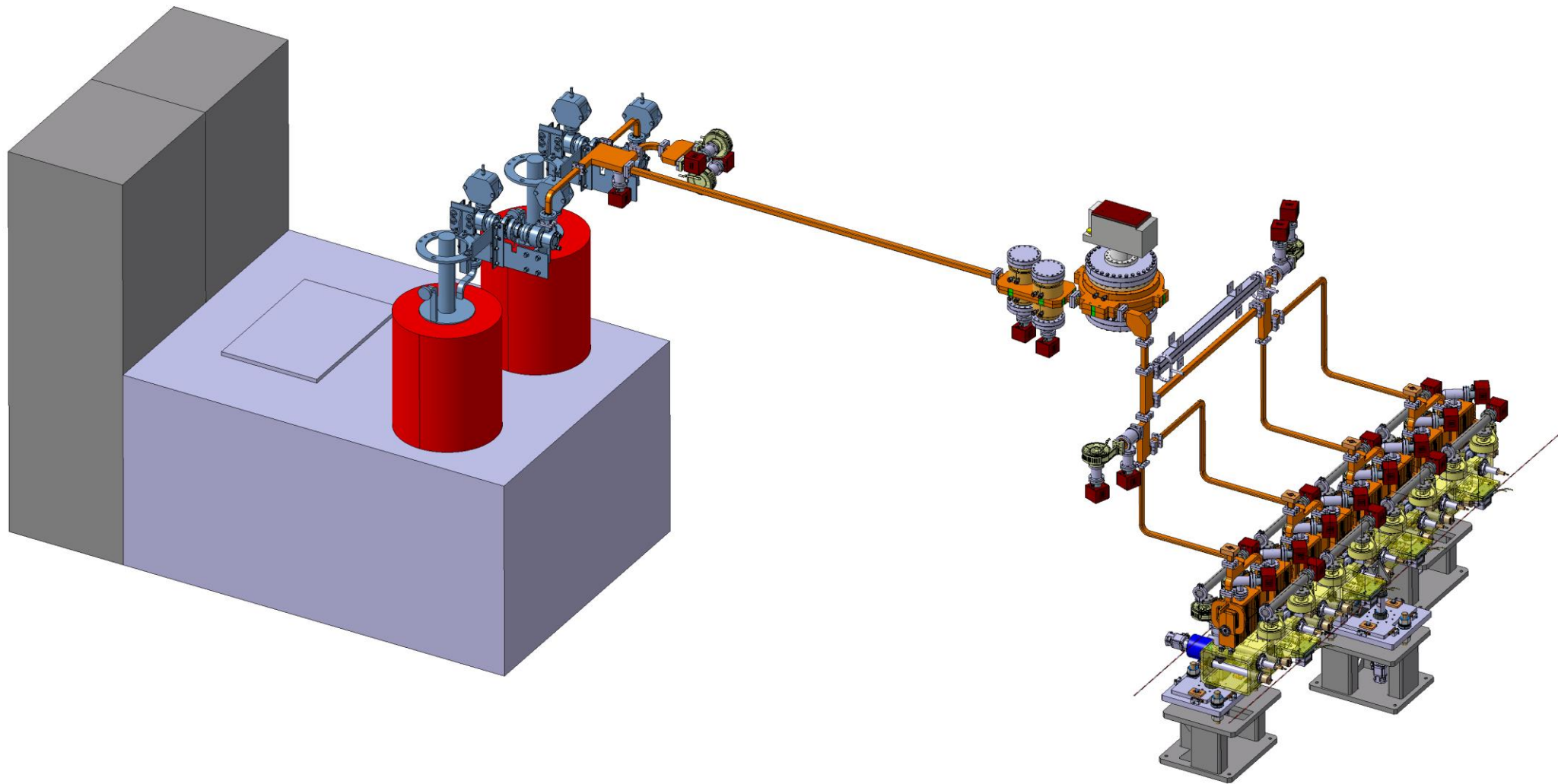
New Klystron Combination RF Geometry

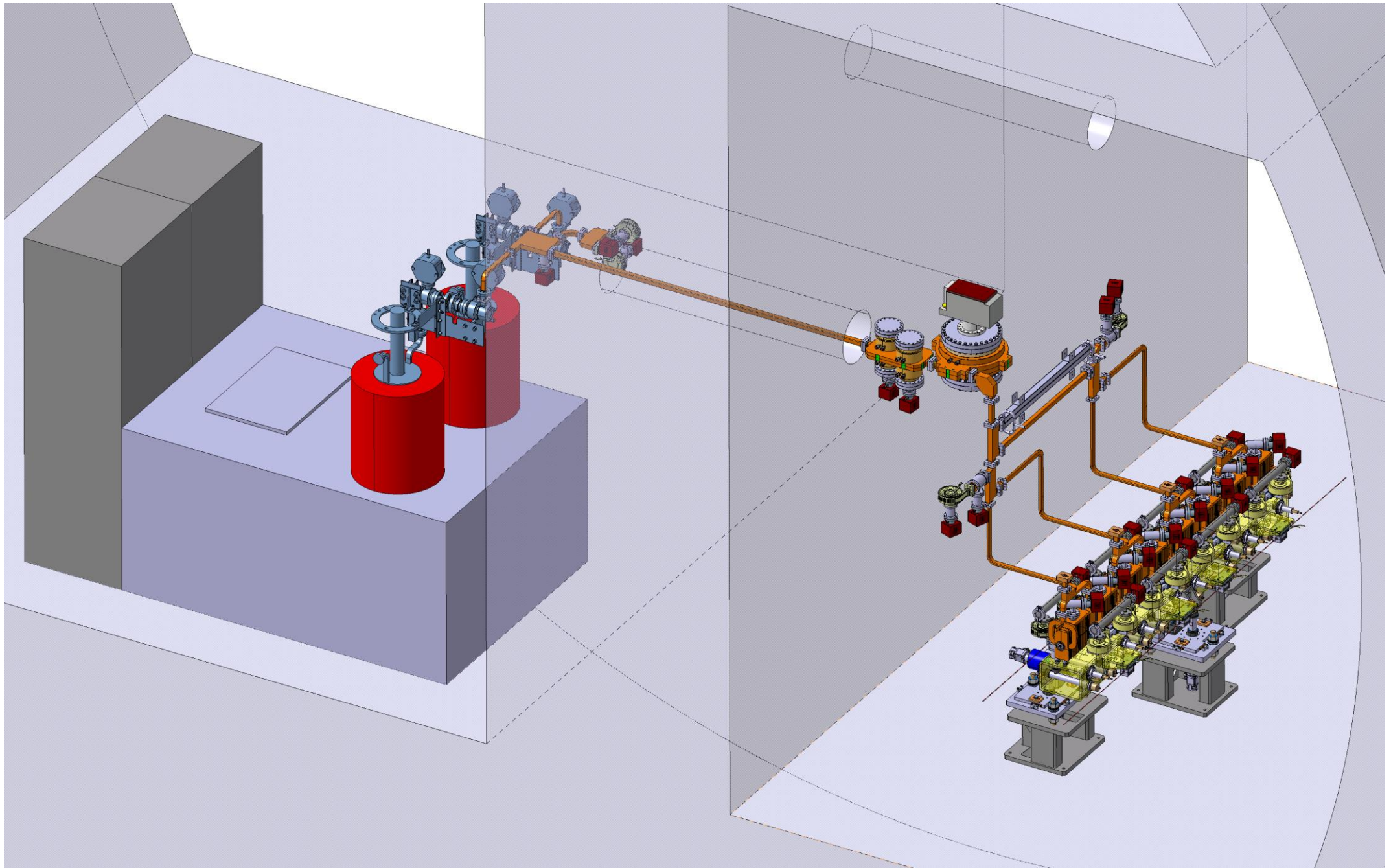


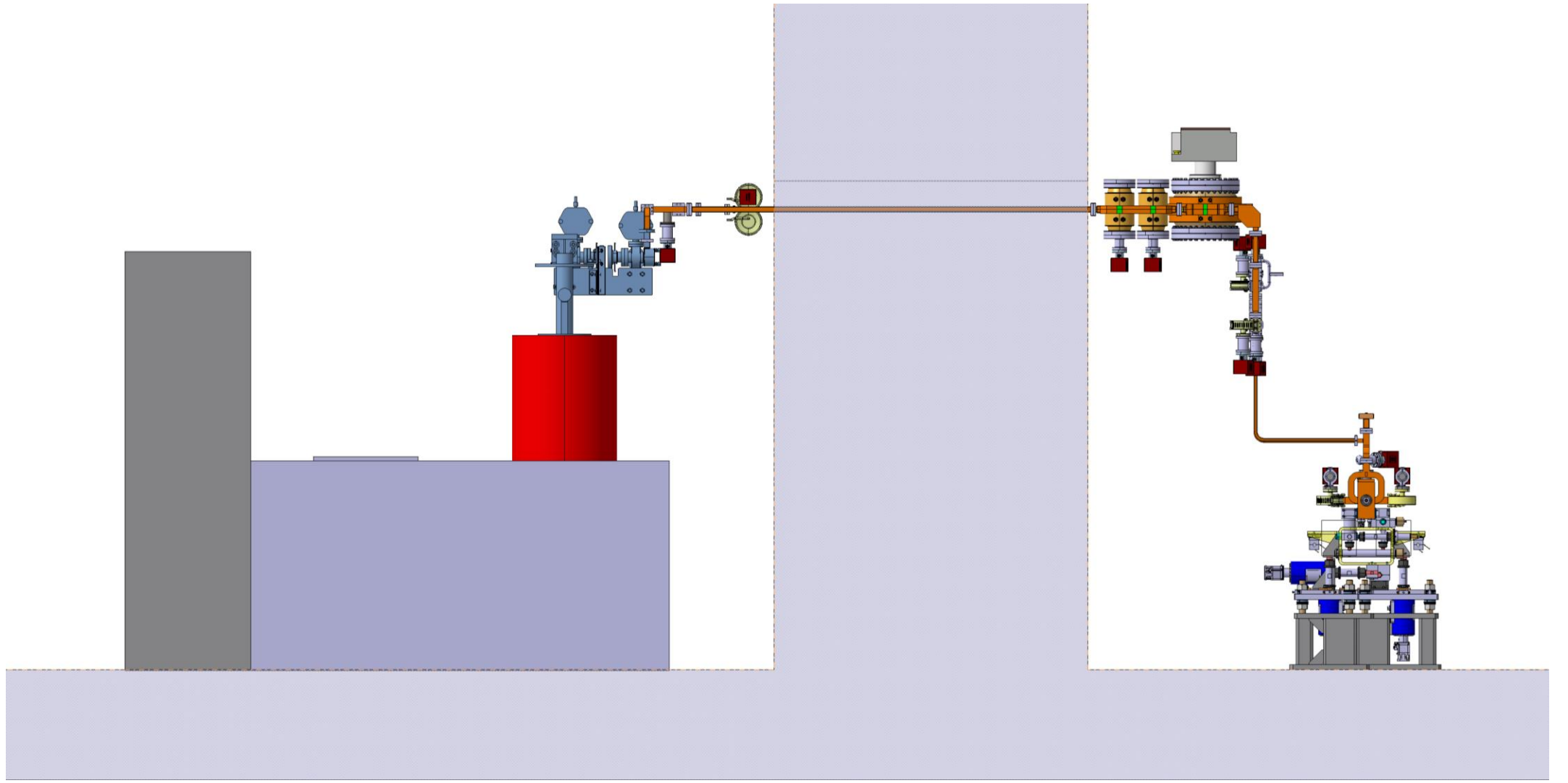
L – Waveguide Module



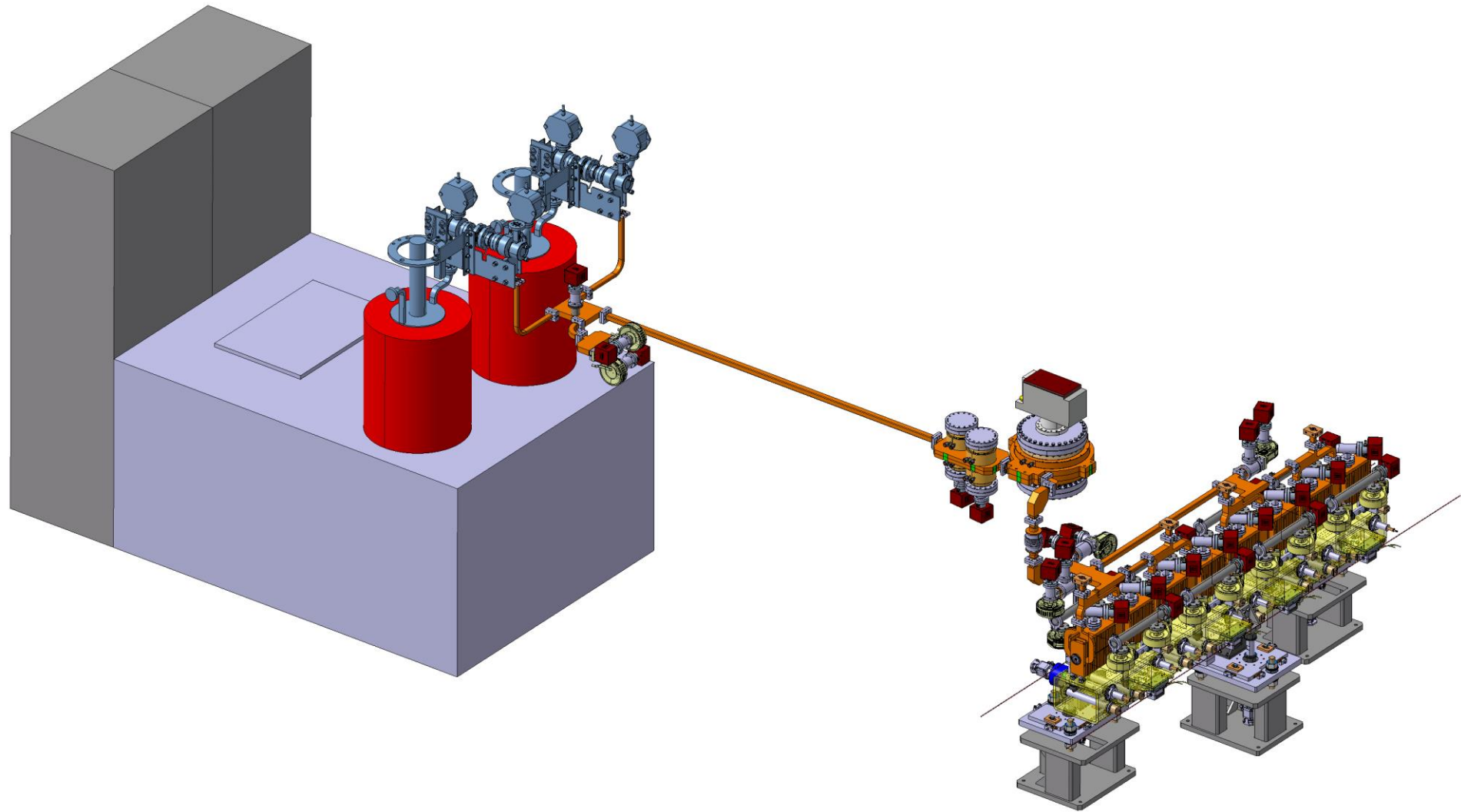


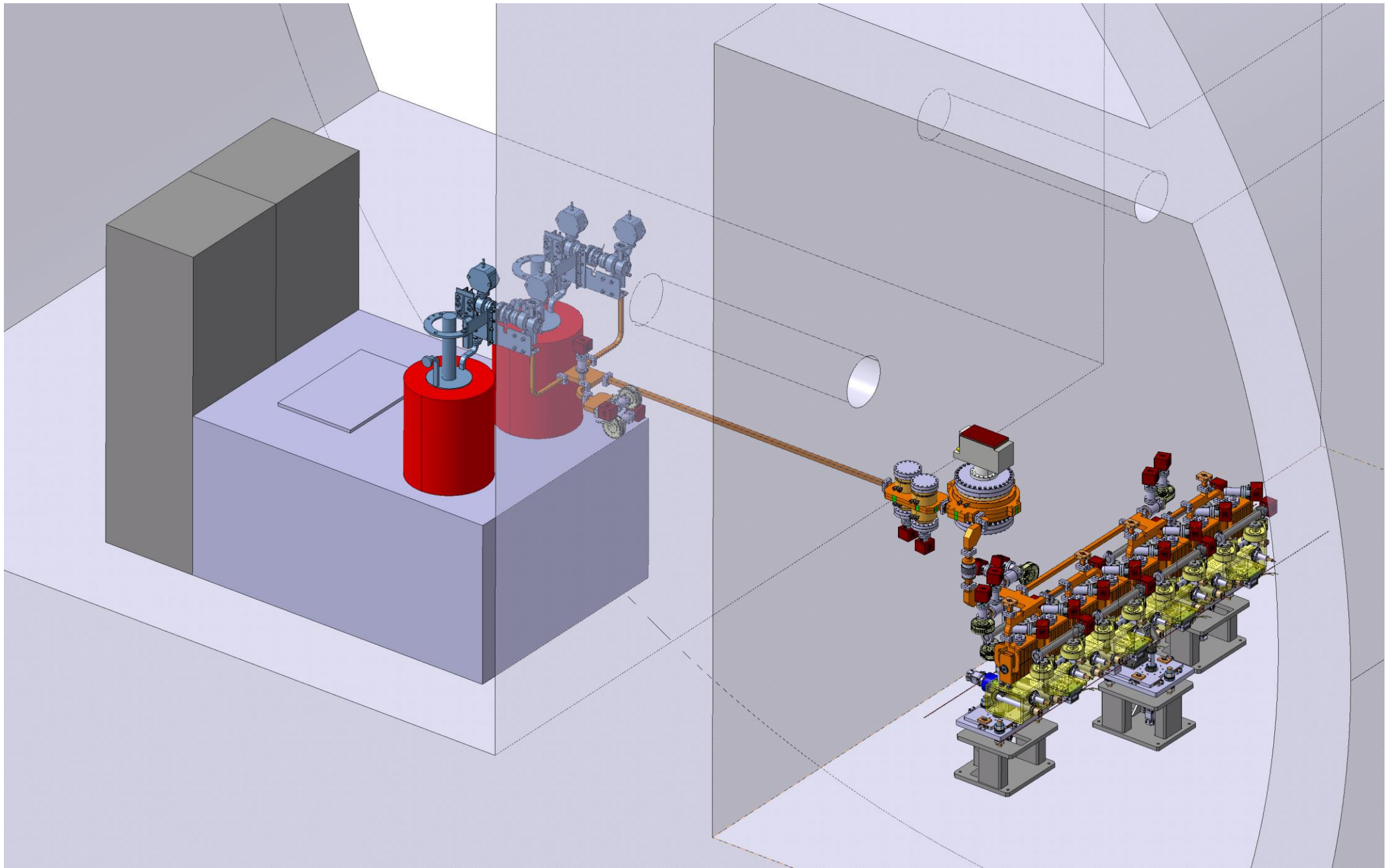


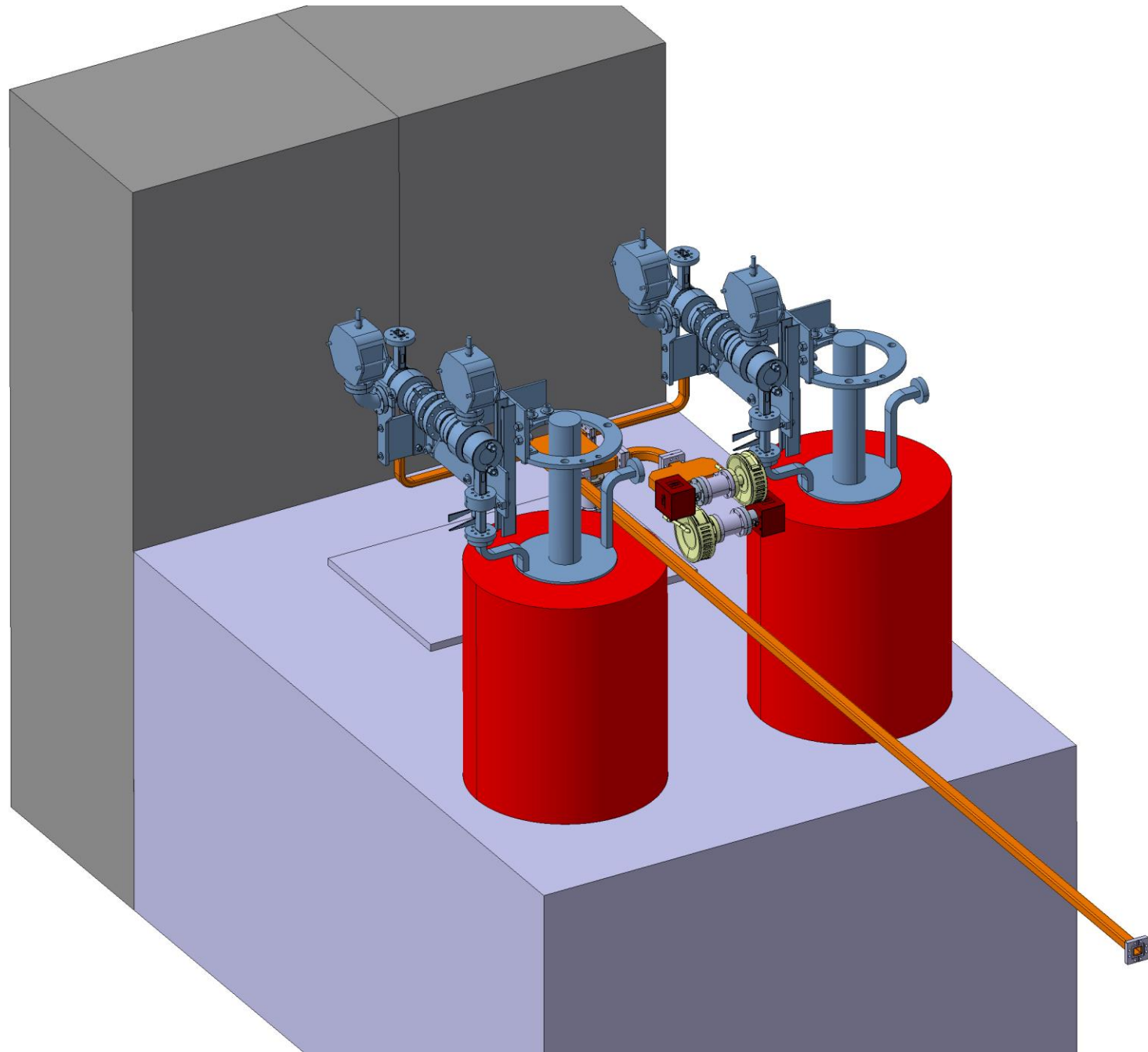




Choke Mode Flange Module







Z – Waveguide Module

