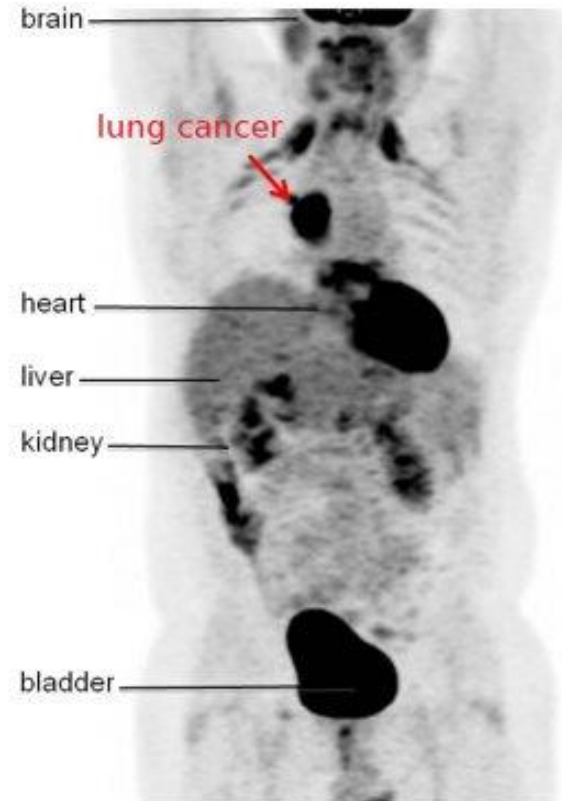
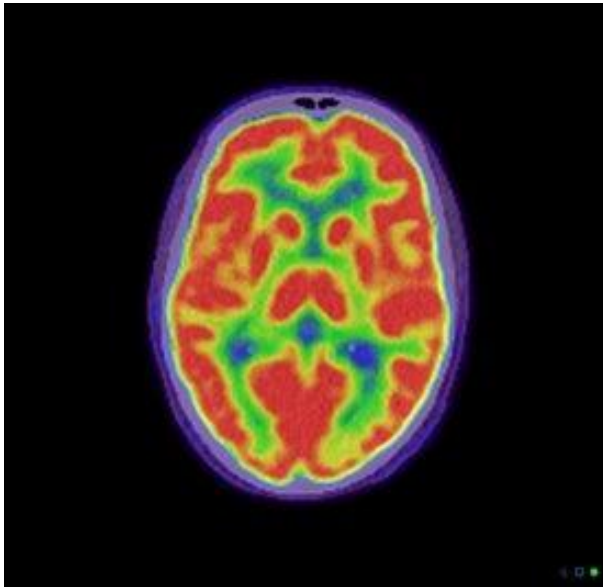


HEP meets the real world: Positron emission tomography

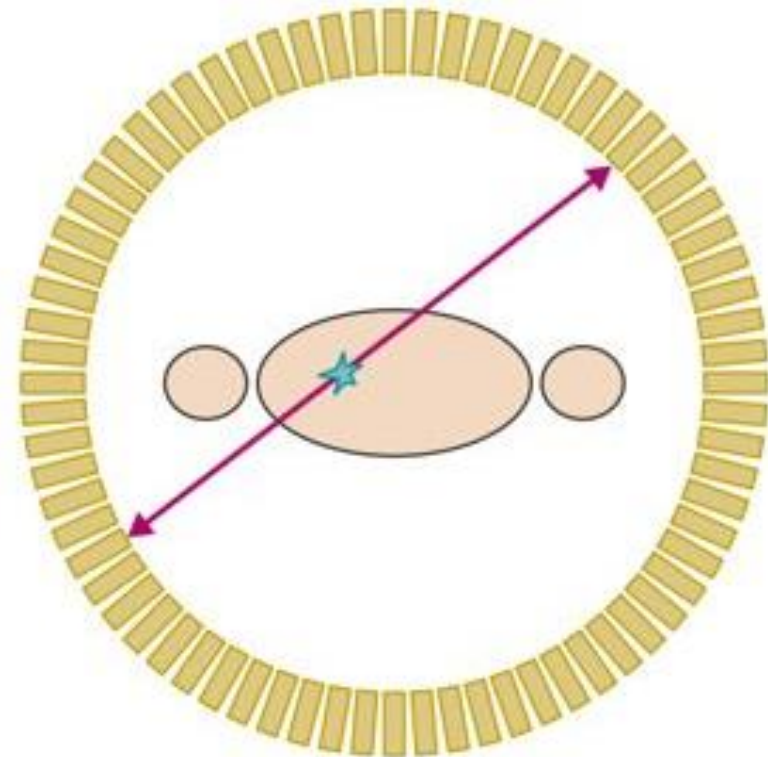
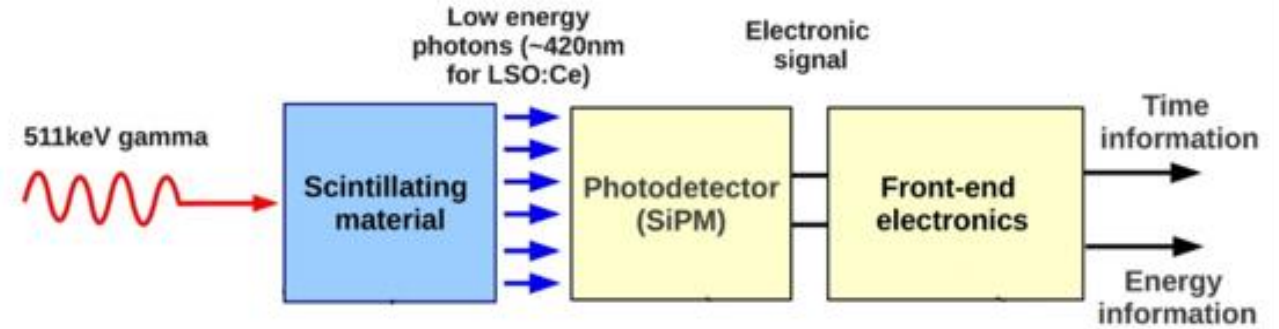
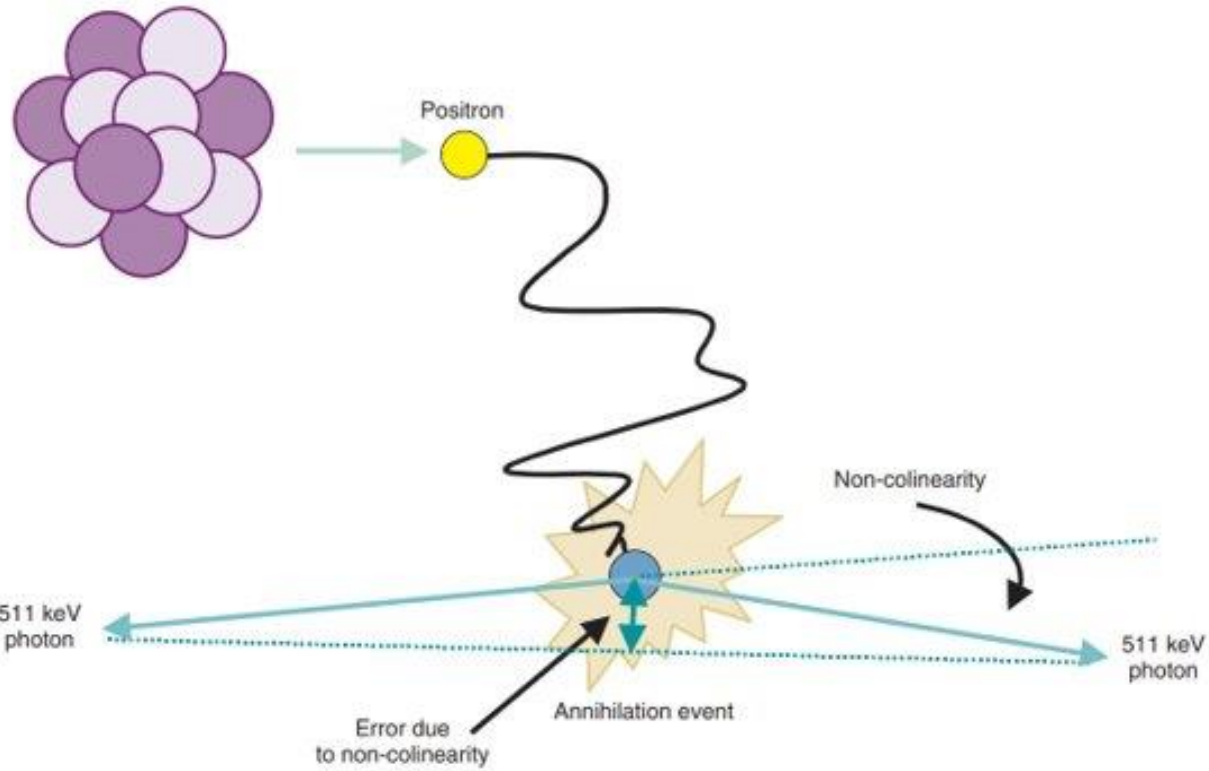
Matic Orehar

What is PET?

- Medical imaging modality, that images **physiological processes** in the body

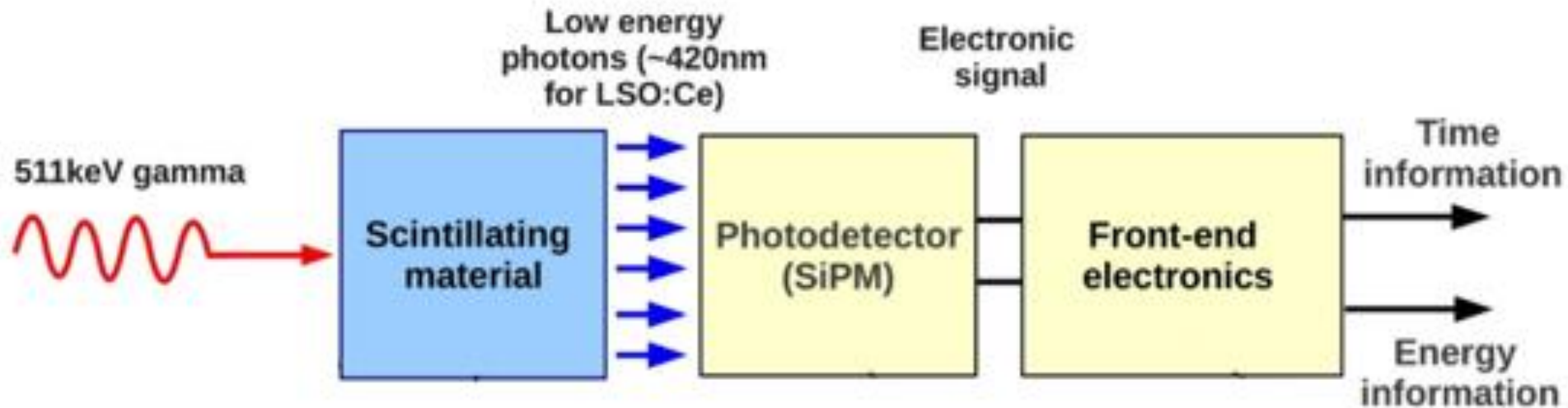


How does PET work?



What do we want from HEP?

- Improvement in coincidence **timing resolution** on every level of detection (<100 ps)
- Improved **quantum efficiency** of photodetectors across different wavelengths
- More **power efficient** electronics
- Make everything **cheaper!**



Q

&

A