

# Weekly Reports - GIF<sup>+++</sup> Users Meeting

Meeting :01.12.2022 - 9h

Present : Lisa, Katerina, Mattia, Francesco, Valerio, Victor, Zebing Wang

---

## Announcements from GIF<sup>+++</sup> Coordination

Issue with the source:

- TUE 29/11 @ 10:13
  - Source OFF because a VETO 1 was applied to the H4 beam line
- WED 30/11
  - after the weekly access was over and after doing the patrol, it was impossible to open the normal access doors. One of the door (PX1) was forced. After rearming it, it was still impossible to enter. After investigation with the access system team, apparently one of the fuse btw the PX1/PX2 and the turnstile was broken. The fuse was changed and the system is now operational. An investigation is started to understand why the fuse brake.

### GIF Cleanup days :

- 6-7.12 Irradiation bunker & preparation area cleanup

### GIF Christmas Closure :

GIF<sup>+++</sup> Operation 2022 - Ends on Friday 16.12.22

GIF<sup>+++</sup> Operation 2023 - Starts on Monday 16.01.23

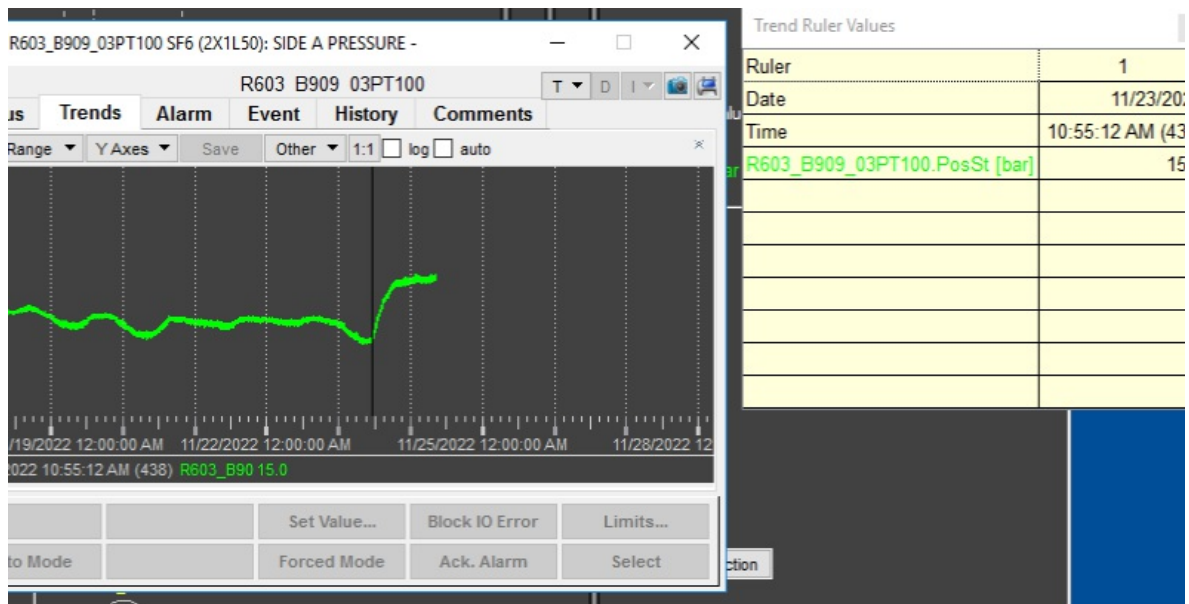
- 16.12.23 (Fr) Stop of Irradiator
- 19-20.12.23 : Move of setups to Maintenance configuration, stop of flammable gases - move to flushing
- 21.12.22 : Lock of Irradiation Bunker  
:::danger
  - Strictly NO ACCESS from 22.12 to 05.01.23 (CERN Closure)  
:::
- 05-06.01.23 : Opening of bunker for scaffolding - NO general access
- 09-11.01.23 : Irradiator Maintenance - limited access
- 12.01.23 : Testing & DSO Test - NO access
- 13.01.23 : Full access on Friday
- 16.01.23 : Possible restart of Irradiator

### YETS 22/23:

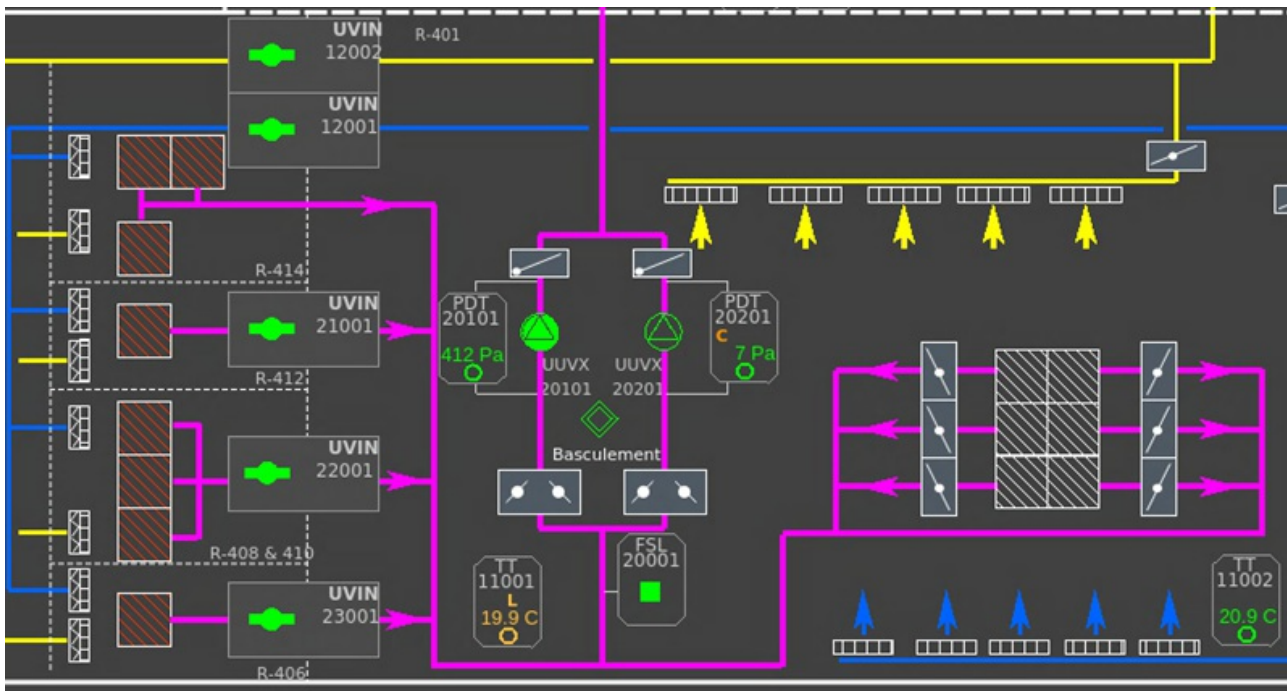
Start : **28.11.2022** - expect interruptions on infrastructure.

:::danger

- 11.01.2023 CERN : Normal/Secure (full power cut)
- 14-15.02.2023 - AUG Test, no access to EHN1  
:::  
:::warning
- 07.12.2022 HVAC ATEX NA intervention - no isobutane at least for duiring the morning
- 5-10.01.2023 : "Sysadmin days" by BE-CSS-ISA
- 07.04.2023 DSO Test EHN1 beam lines  
:::  
Full list of electrical tests during YETS 22-23 : <https://edms.cern.ch/document/2768566/>
- issue with the temperature in the 909 solved!!!  
Pressure back to normal!



apparently two valves were closed and the hot air was not flowing inside the areas. Here in the pictures below the two temperatures measured in the 909 back to nominal values (~ 19 / 21 degreeC)



### Physics Start North Area : 01.05.2023

Next year will be a short injector year (-6 weeks), with proton physics in the NA to stop on during week 39 (followed by ion run).

:::success

Please start to prepare your beam requests for next year !

:::

### Annual Irradiator maintenance 09-12.01.2023 :

- 10.01.2023 Access System Maintenance
- 12.01.2023 GIF DSO Test

### Annual User Meeting 2022 :

- 1 December 2022 : <https://indico.cern.ch/event/1223915/>

### Safety:

- Some safety remarks to be solved.
- First Aid - SST Initial (workplace first aider)

## Weekly Reports :

*Please update before or during the meeting !*

### ATLAS-RPC: (Giulio, Luca, Giorgia, Sinem, Ahmet)

- Again No Report !! (5)
- Not available for removing the setup to allow beam pipe installation

### ATLAS-MM: (Francesco, Givi, Valerio)

update dated 01/12/2022:

- **Setup maintenance**

- Wednesday, 7th December
  - arrangement of HV cables on the new cable tray in upstream
- Wednesday, 14th December
  - shutting down our setup in preparation for the Christmas break and annual irradiator maintenance stop

- **Weekly planning**

- aging studies with the Ar/CO<sub>2</sub>/iso gas mixture

### **CMS-CSC: (Katerina, Victor)**

No report.

### **CMS-GEM: (Davide, Viviana)**

- Coming back after TestBeam. Not present.

### **ATLAS-sMDT (Elena, Timur)**

Will be removed during the next weeks.

### **EP-DT2: (Gianluca, Mattia, Giulia)**

- **Future planning**

- Issue with prep. area locker**

- Installed new trolley inside the bunker and in prep.area;
- Done gas pipe connection inside the bunker;
- Some issues with gas line, we are trying to resolve it right now (no infrastructure issue);
- In the next day probably we will ask for source off (we will put it on teamup and warn you by email when we understand what we have to do) in order to resolve this issue;
- We want to test this set up for long term studies before the end of irradiation, then we will start aging test after Christmas holidays

### **Ecogas: (Gianluca, Luca)**

No report.

### **CMS-iRPC: (Breno F., Mauricio)**

No report.

### **CMS-RPC: (Breno F.)**

No report

## **CMS-DT: (Lisa)**

- last week we managed to increase the gas flow to the MB2
- we discussed with iRPC the lead installation inside the irradiation cone, we see effects but due to time constraint and the fact that iRPC test will be "short", we decided to go like that without asking for modification to their setup (maybe for the future the presence of lead inside the irradiation cone should be discussed before the installation of "new" setups)
- yesterday afternoon we started the new irradiation campaign with higher gas flow

---

Current minutes by the respective speakers, edited and commented by Martin & Giuseppe. Minutes from previous meetings can be found attached to the respective

page as PDF.