



ALICE

ITS3 plenary

Tuesday 17<sup>th</sup> January 2023

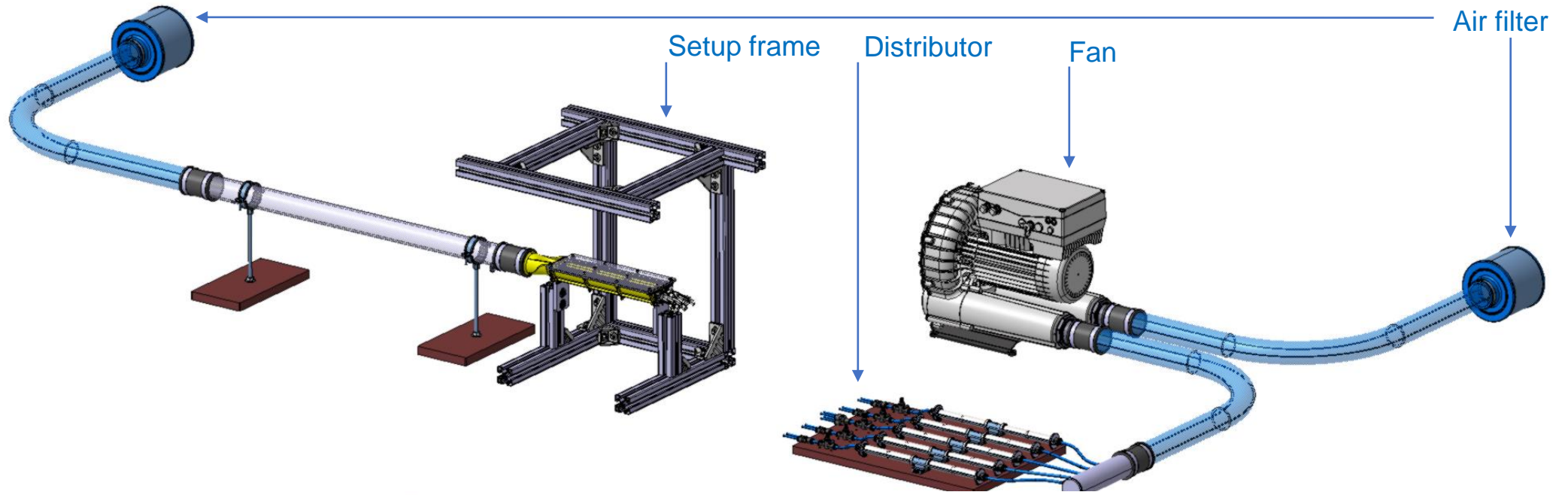
---

# **UPDATE ON BBM3 FLOW DISTRIBUTION SYSTEM**

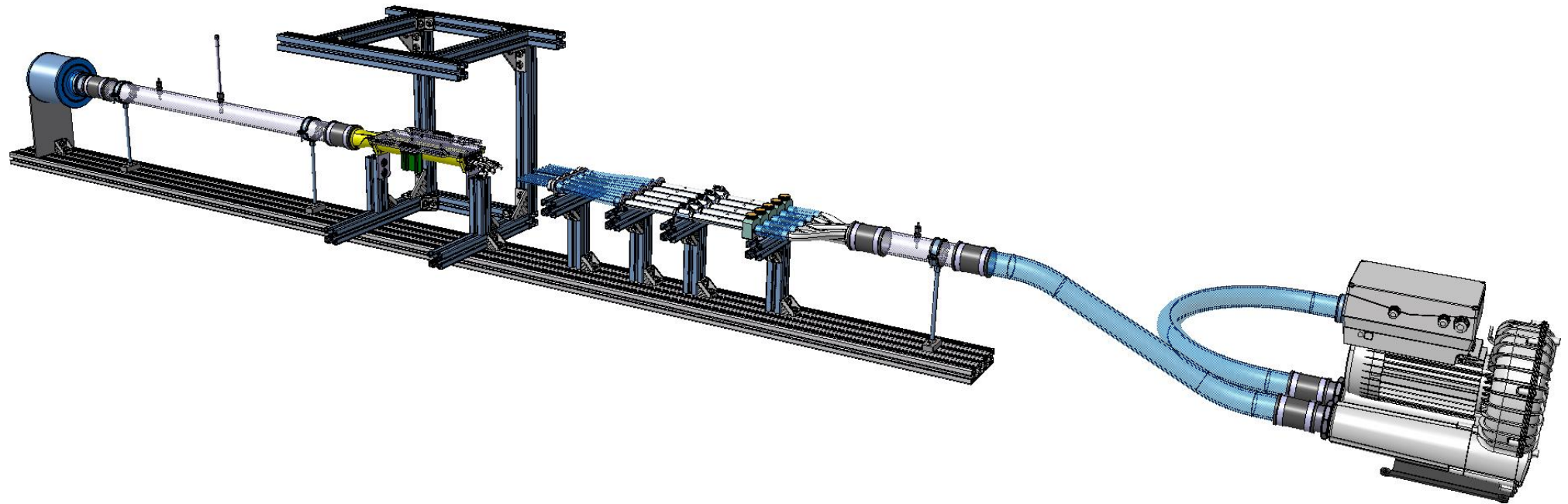
---

**Aitor Amatriain**

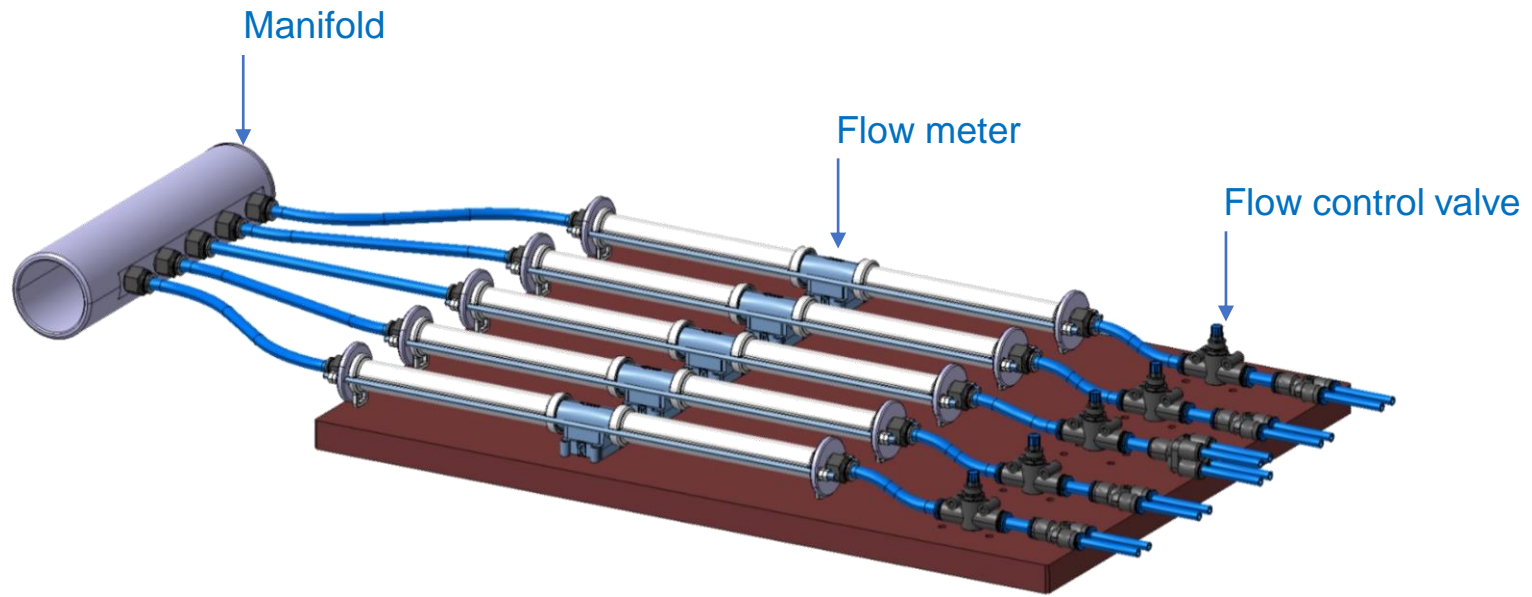
OLD



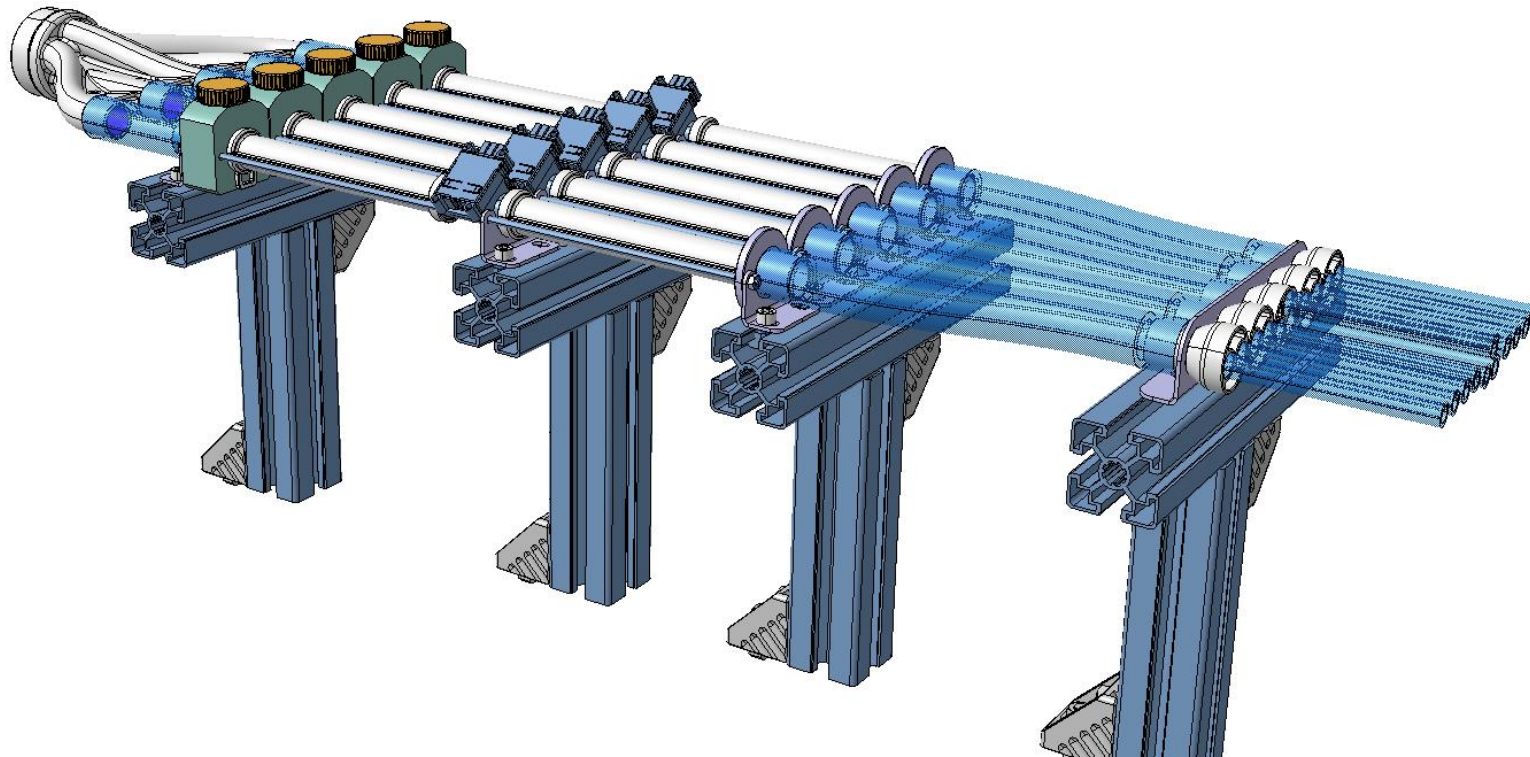
NEW

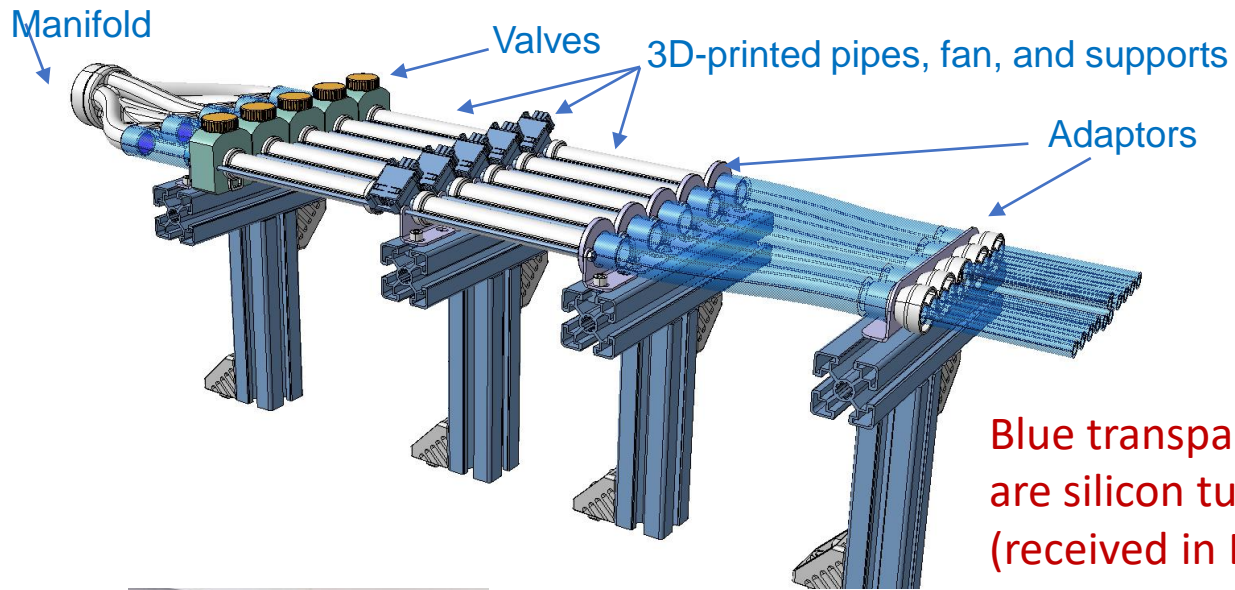


**OLD**

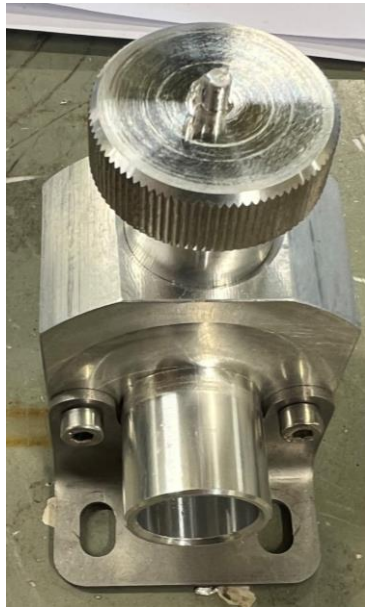


**NEW**

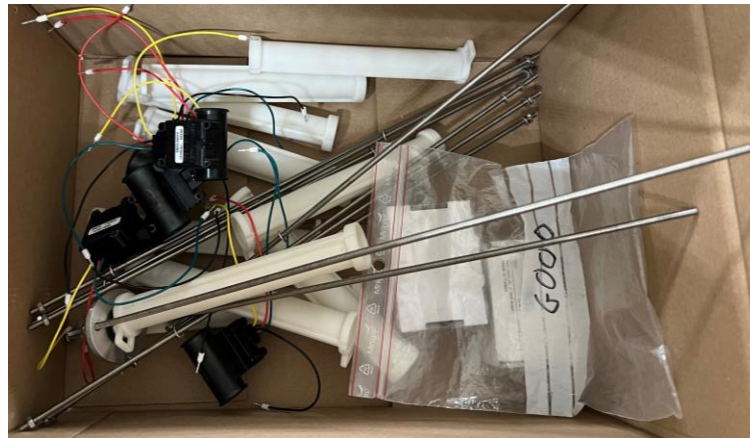




Blue transparent tubes are silicon tubes (received in December)

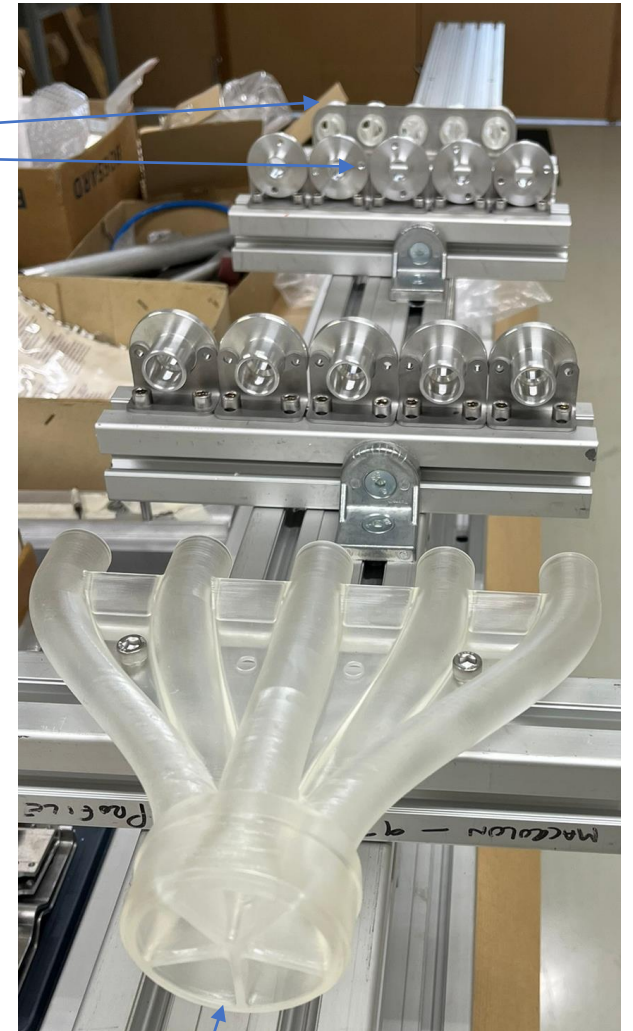


Valve (o-ring missing)



3D-printed pipes, fan, and supports (same as in the old setup)

Adaptors



Manifold

## SUMMARY

- Valves expected to be finished tomorrow
- The distribution system can be assembled in one day
- Next week the distribution system will be installed in the composite lab
- Tests expected to start at the end of next week