

- 1 Diagrams attached to the Abstract and Summary of the submission proposal on the MOSS prototype chip for the ALICE ITS3.

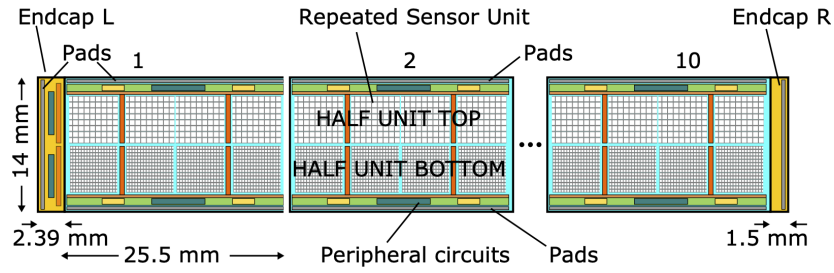


Figure 1: Diagram of the MOSS chip.

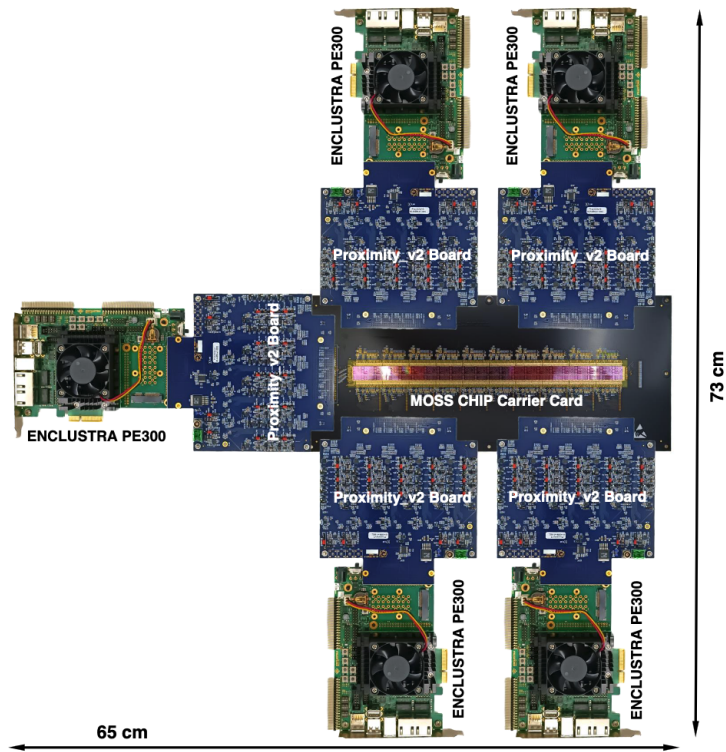


Figure 2: Illustration of the complete MOSS test system with the Carrier, Proximity and Automation boards.