

# Jobs in SYSU

---

Yang Liu, on behalf of the SYSU ATLAS team

School of Science, SYSU

[yang.l@cern.ch](mailto:yang.l@cern.ch)

May 3 2023

# About SS of the SYSU:

## ▸ SYSU:

- SYSU is a comprehensive research university located in Guangzhou, China, founded by Dr. Sun Yat-sen in 1924.
- One of the top universities in China, ranked 8th in China
- SYSU has five campuses in Guangzhou, Zhuhai, and Shenzhen with ten affiliated hospitals
- The multi-disciplinary foundation of humanities, social sciences, natural sciences, medical sciences, and engineering
- Strives to enter the national first-tier of universities and the ranks of world-class elite universities

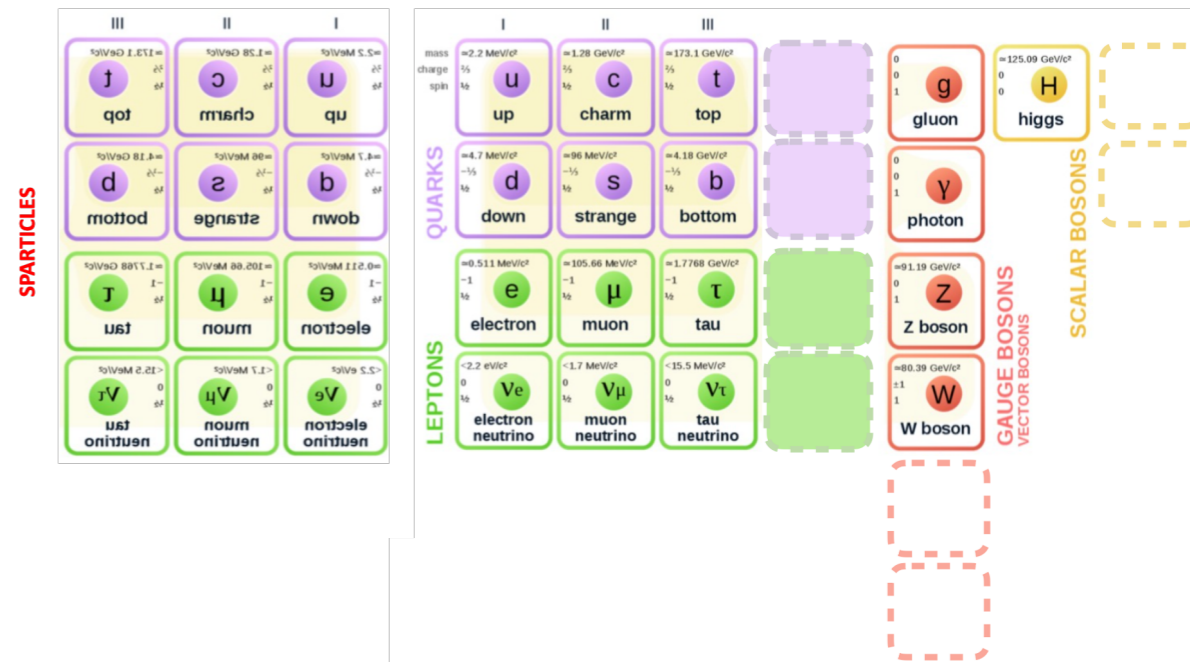
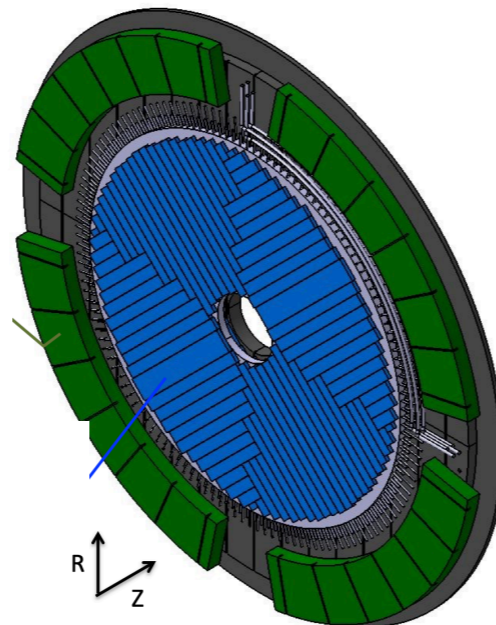
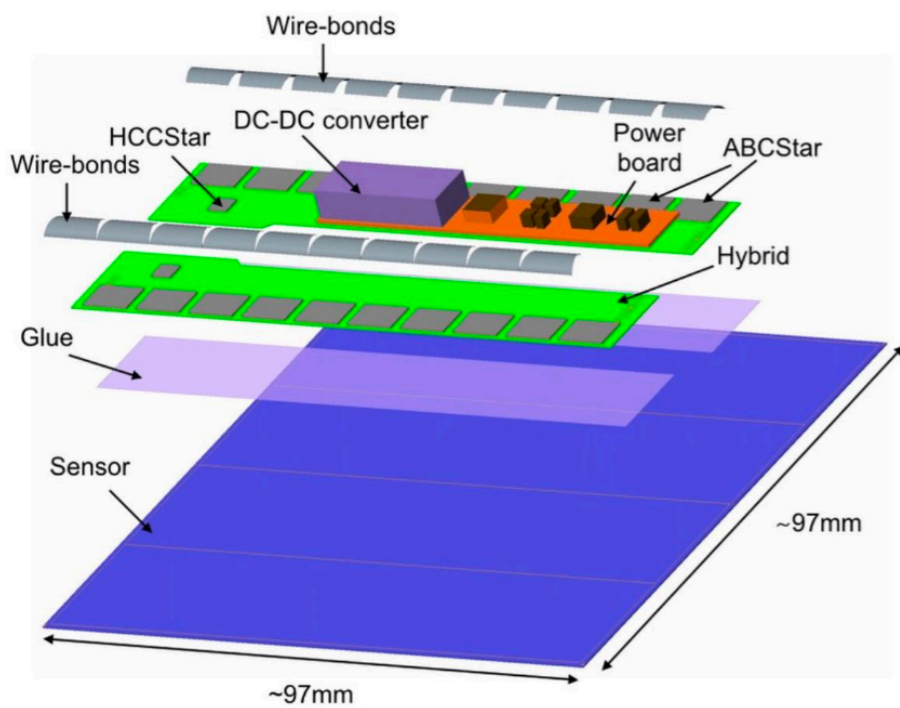
## ▸ School of Science:

- Founded in 2021 at the Shenzhen campus and constituted by Mathematics and Physics
- Focus on theoretical physics, particle physics, plasma physics, nuclear physics etc
- The international collaboration in the field of Particle Physics is strongly supported by the University:
  - Already joint the BESII, ATLAS and the AMS collaborations
  - Many hardware facilities supporting the collaborations such as laboratories, clean rooms, and high-performance cluster servers are currently under construction



# Research topics:

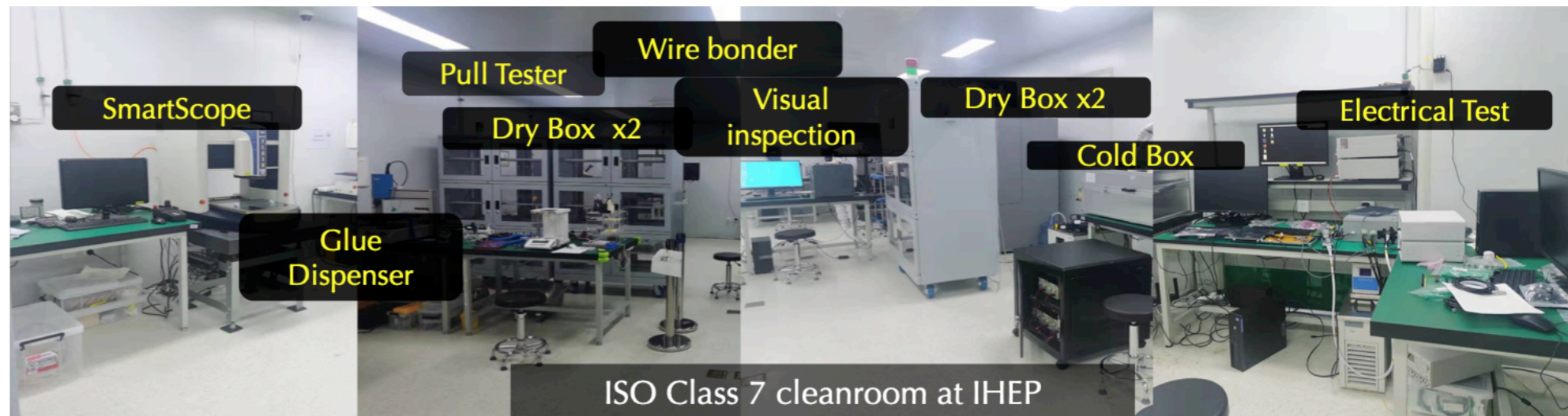
- ▶ Physics analysis:
  - ▶ Higgs precision measurements, BSM Higgs, and the New Physics search with a focus on SUSY and Dark Matter searches
  - ▶ Analysis object reconstruction, identification, calibration
- ▶ Hardware topics:
  - ▶ HGTD & ITK upgrade: module production, irradiation tests, QA/QC and future commissioning



# Research team & facilities:

- ▶ Got 9 members so far:
  - ▶ 2 physicists, 2 PhD students, 2 master students and 3 engineers
- ▶ Computing services clusters:
  - ▶ 1 shared Tier 2 site located at IHEP
  - ▶ 1 high-performance Tier 3 computing cluster located at IHEP
  - ▶ 1 medium-volume Tier 3 computing server cluster located at SYSU & 1 high-performance computing cluster in SYSU is under construction
- ▶ Laboratories:
  - ▶ Shared ISO Class 7 Cleanroom @ IHEP
  - ▶ Gas and semiconductor detector laboratories @ SYSU are under construction

- ▶ 2 Physicist
- ▶ 2 Physics PhD student
- ▶ 1 Physics masters/diploma student
- ▶ 1 Undergraduate/summer student
- ▶ 3 Engineer with PhD
- ▶ 0 Engineer without PhD
- ▶ 0 Engineering student
- ▶ 0 Technician or equivalent
- ▶ 0 Administrator/other



# Position details: [inspire link](#)

---

- ▶ Location & Travels:
  - ▶ Could primarily based at CERN with regular travel to SYSU to monitor progress
  - ▶ Regular travelling between SYSU and IHEP and to CERN according to the needs, with an additional bonus
- ▶ Topics:
  - ▶ Can choose from the existing research topics the team had now
  - ▶ Brining your own research interests and ideas to the group is also welcome
  - ▶ In addition to the main topics of the ATLAS experiment, there is also potential for exploring research interests outside of the scope of ATLAS:
    - ▶ AMS, BESIII, future colliders (CEPC, super tau-charm, gamma-gamma collider...)
- ▶ Contract details:
  - ▶ The appointments will initially be for a two-year period, with the possibility of an extension subject to successful funding
  - ▶ Base salary > 350K CNY (~38K EUR)/year with an additional bonus
  - ▶ Applications will be reviewed on an ongoing basis until the positions are filled

---

THE END