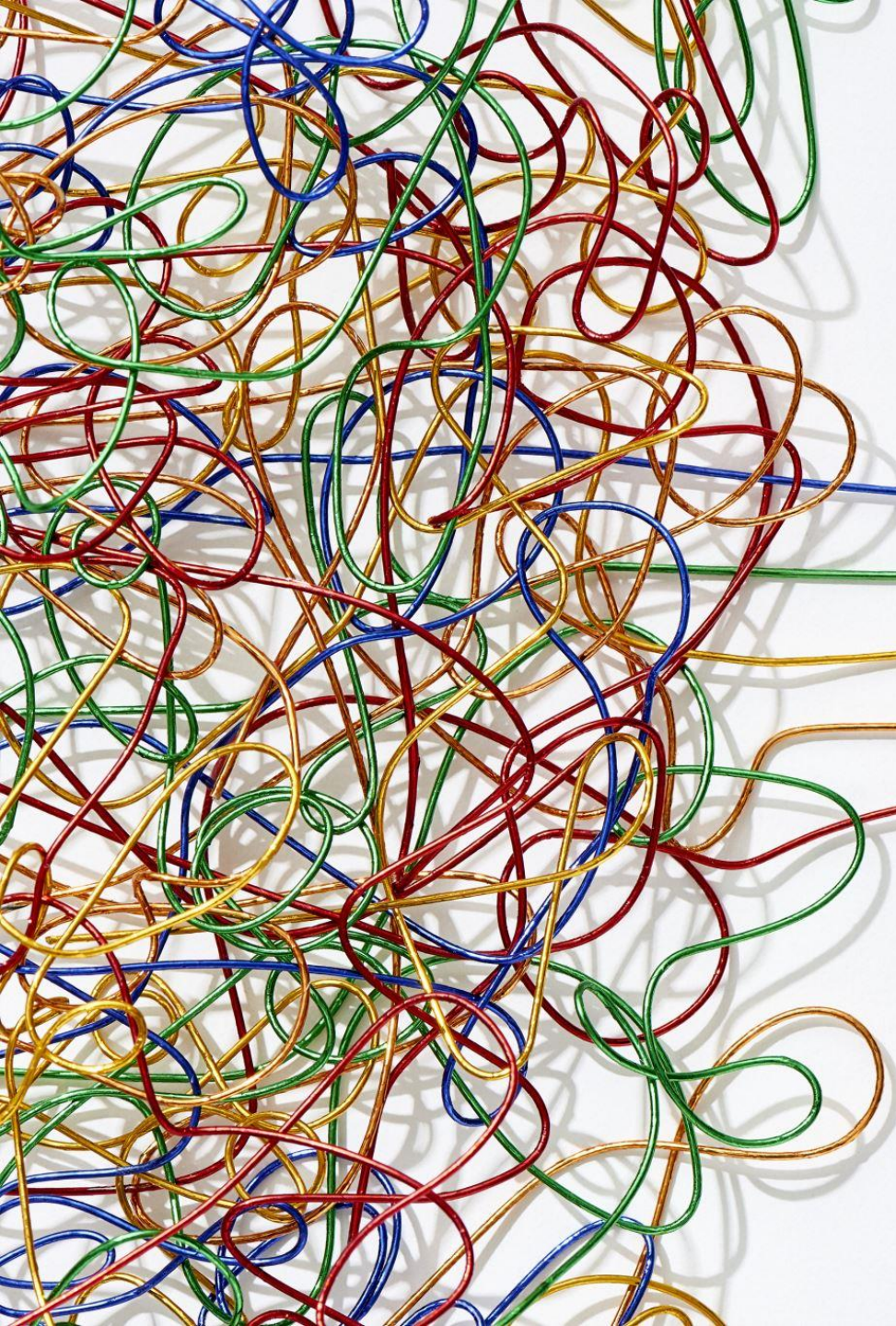
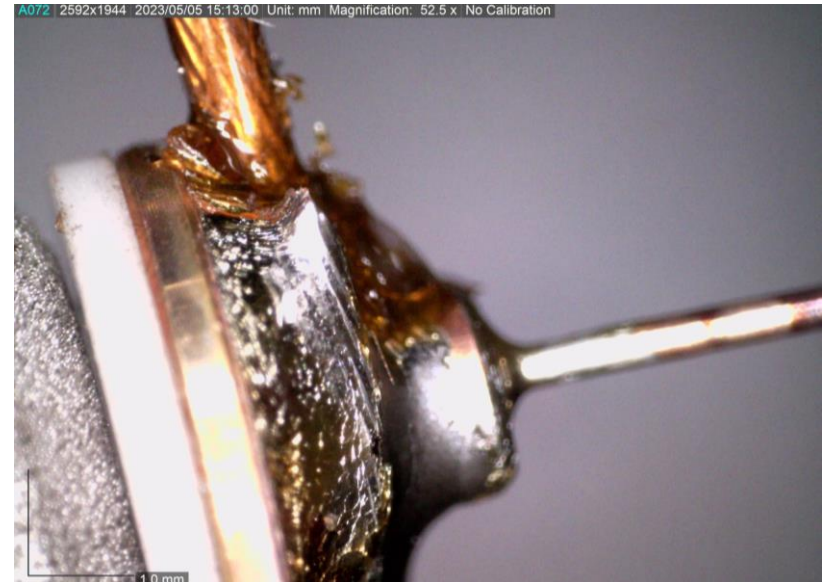
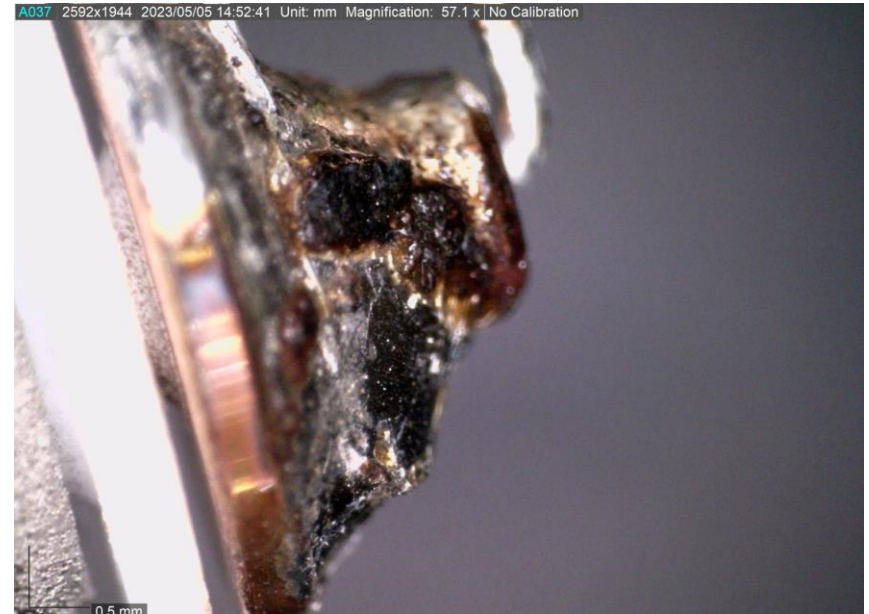
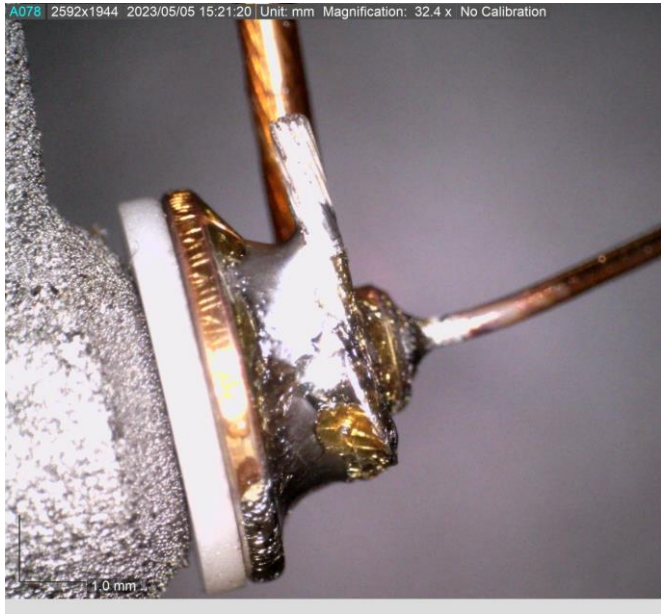
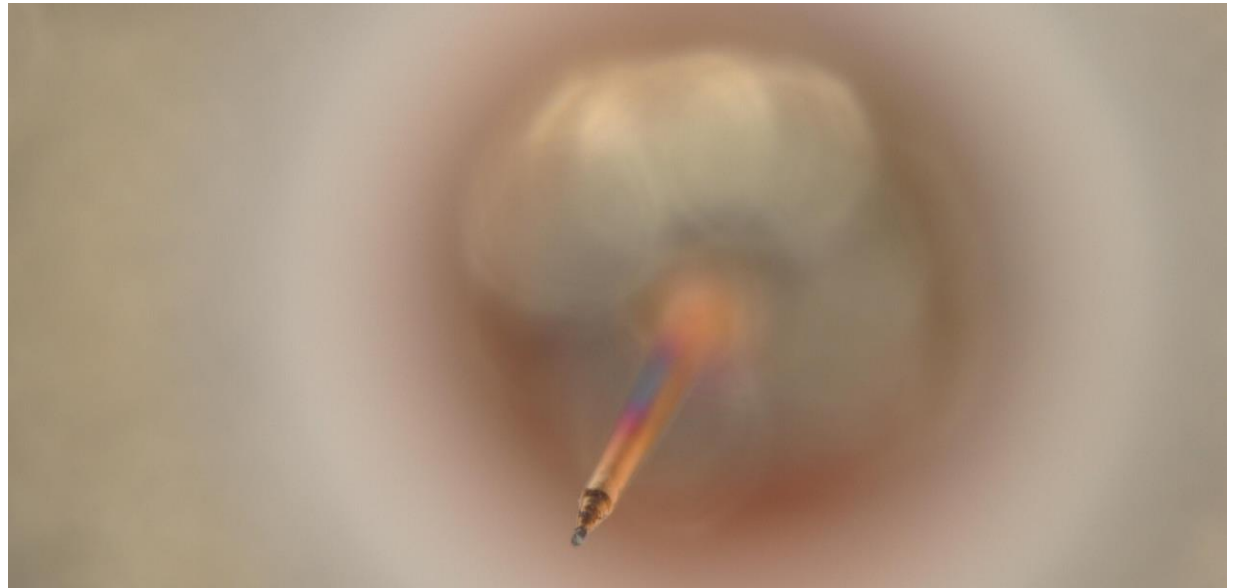
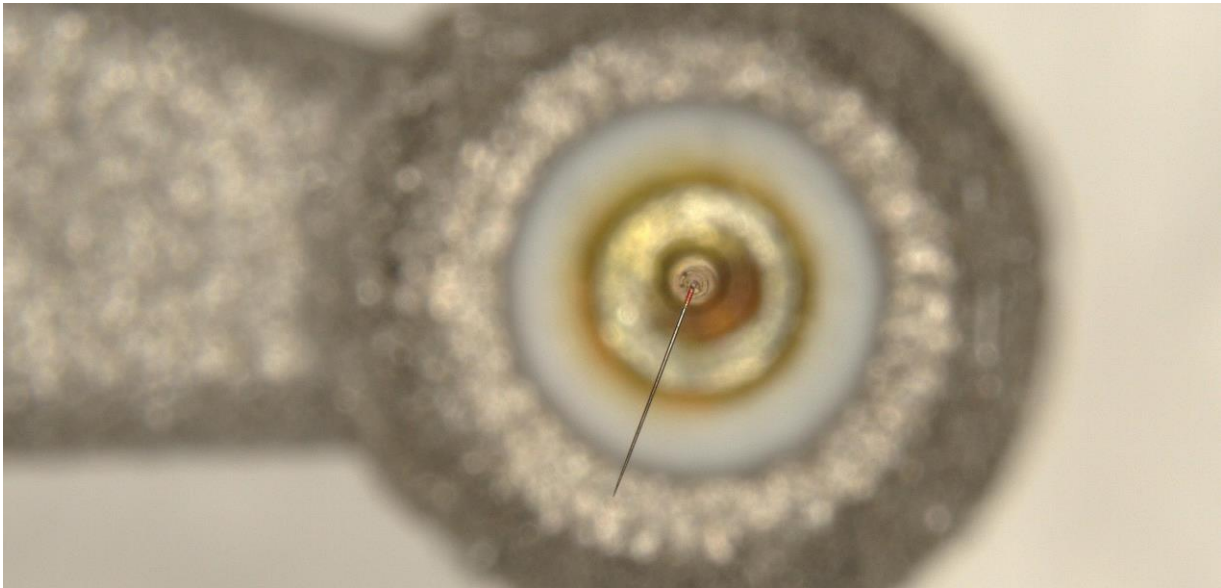
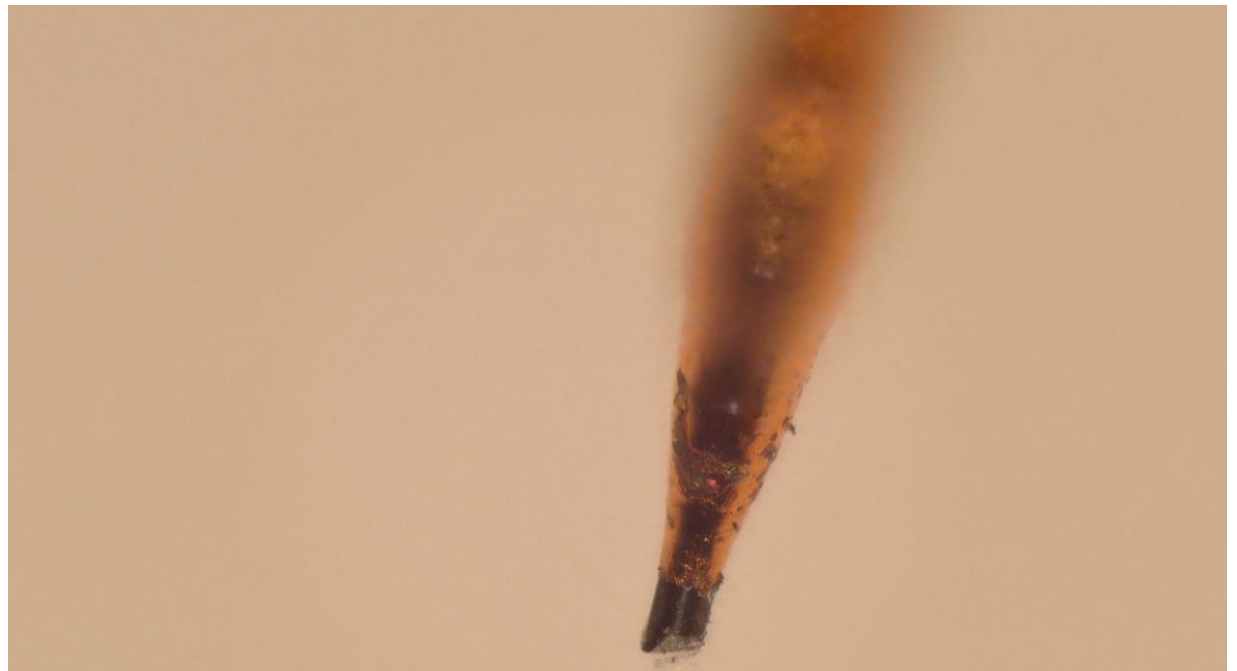


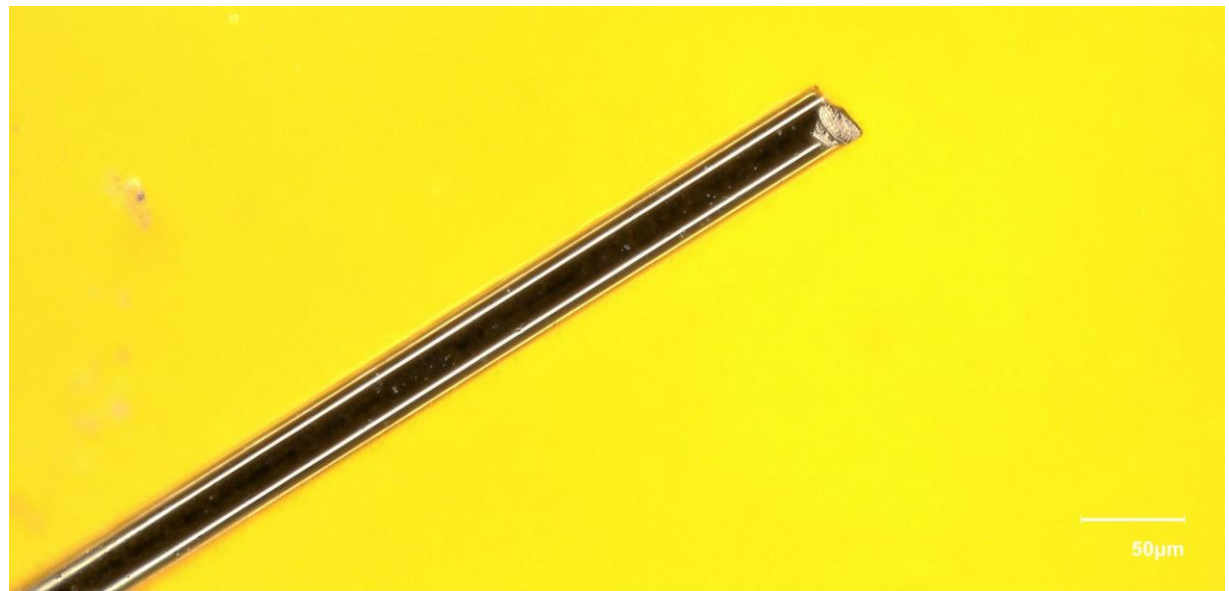
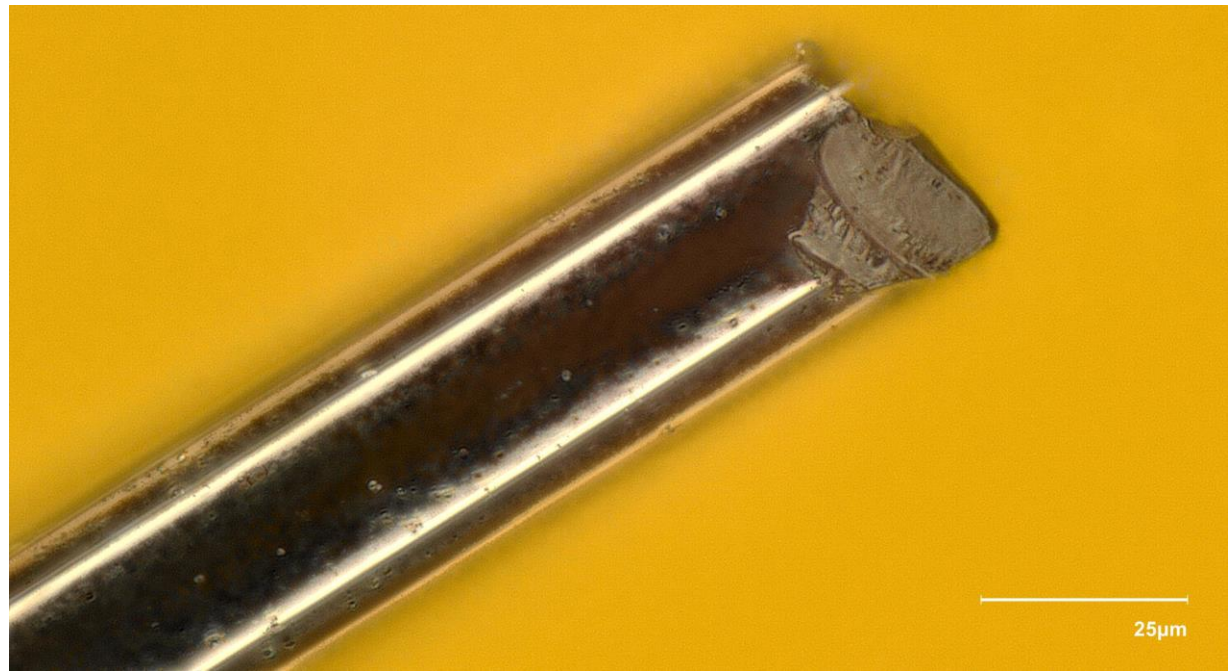
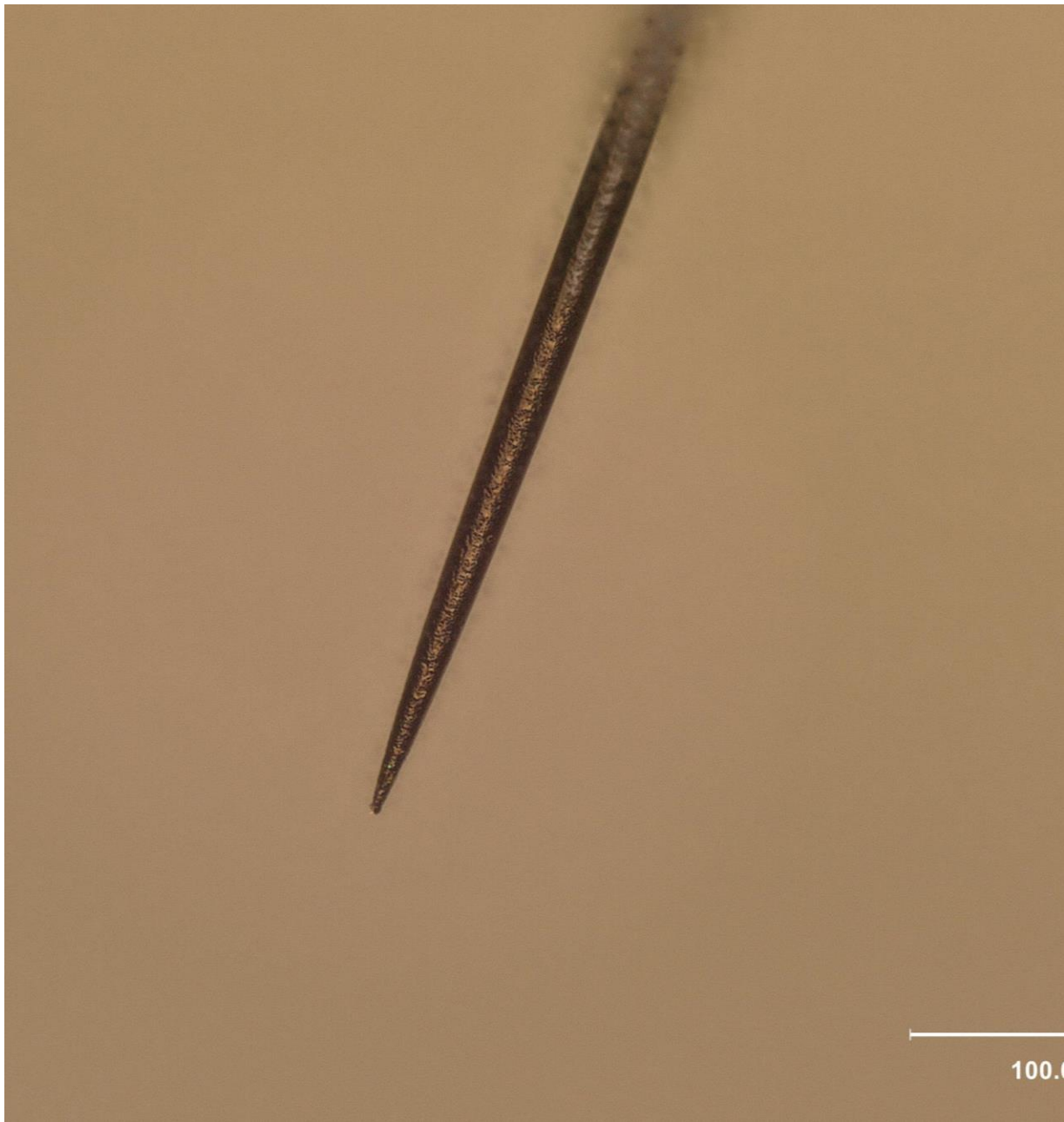
SPS WS wire
breakage



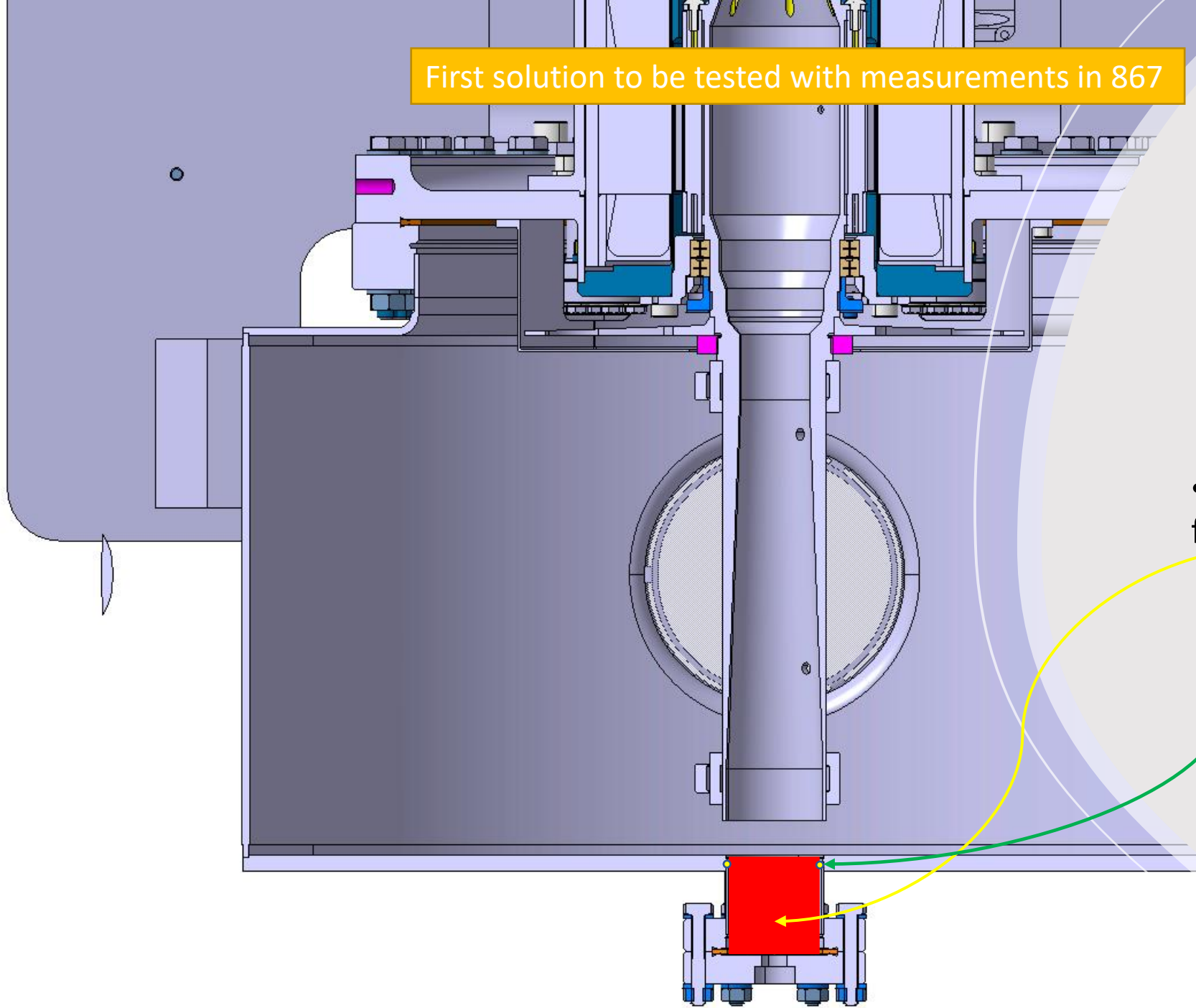
- First results from C wire imagery
- The C wire is present on all four forks
- Sharp fracture breakage presents in most of the sample, in one case a necking is visible
- More results in the coming days





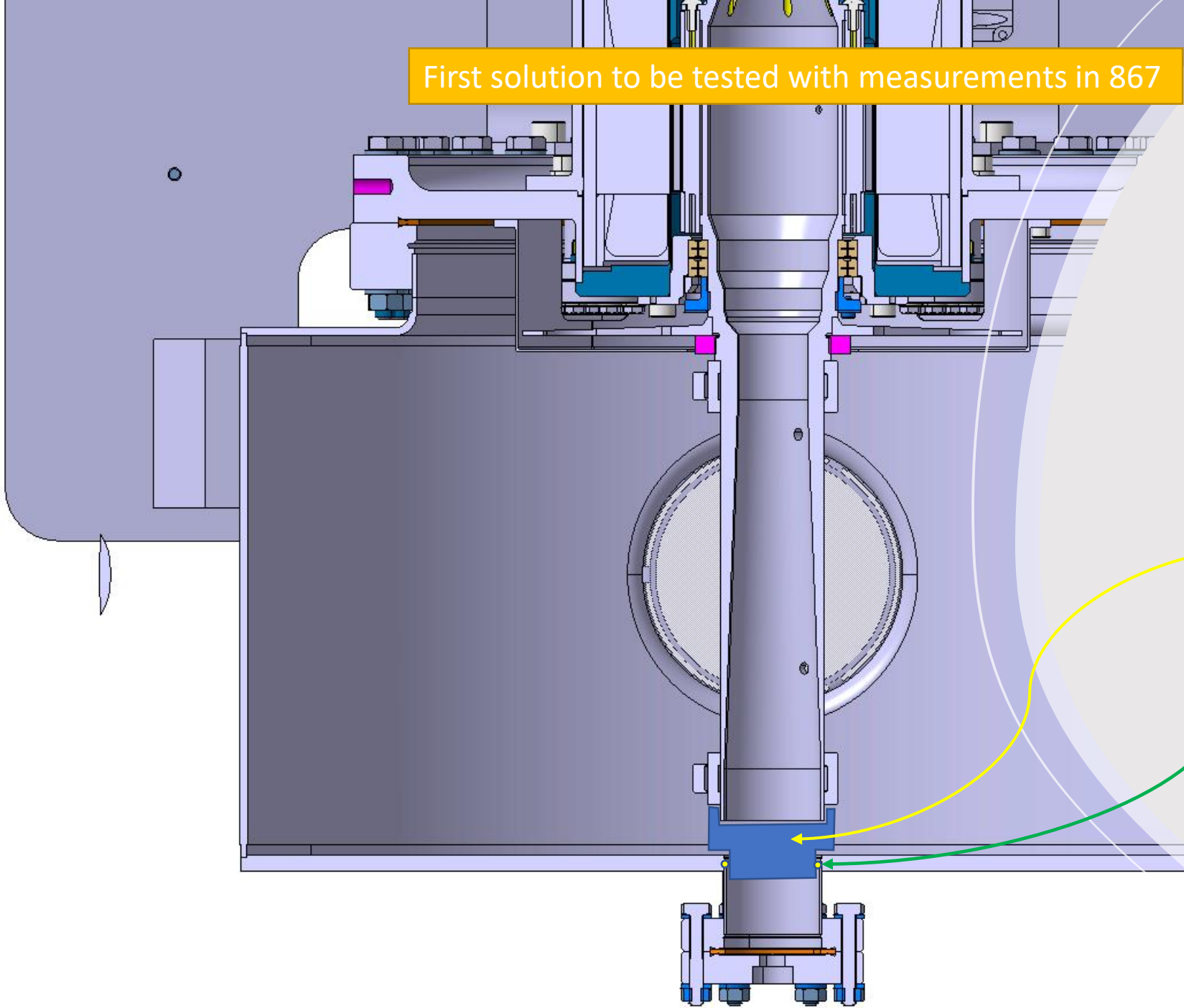


First solution to be tested with measurements in 867



- Option 1: electrical feedthrough plug with RF contact

First solution to be tested with measurements in 867



- Option 2: rotating plug with rotating RF contact

