

# AMORE



**STATUS, NEW FEATURES & DISCUSSIONS**

# Outline



- Christmas shutdown activities and changes
- Pending points (previous meetings) + new developments
  - AMORE & GUI09
  - DAQ/QA agents
  - QA online
- News on AMORE feedback to offline (aka thresholds)

# Christmas shutdown activities and changes



- Move from SLC4 to SLC5
  - Move from 32 bits architecture to 64 bits
  - New DQM nodes
    - Blades with 16 cores and 16 GB of RAM
    - At least 1 blade per detector
  - New DQM shifter station
  - New version of all the DQM related softwares
- ➔ Many important changes,  
yet the restart was pretty smooth !

# Pending points: AMORE, GUI



- Amore gets stuck at the same cycle number. No updates of MOs from there on ✗
  - Under investigation ✗ DIM, DNS issues?

# Pending points: DAQ/QA agents



- Agents not correctly restarted. The agent is not properly killed
  - Under investigation ✗ DIM, Kill function fails ?



# Pending points: QA



- Read the OCDB at SOR and not at load time ✗
- Instantiate the correct muon QADataMakerRec ✗
- QA framework: Not strictly DQM, but QA related, QA would be much more useful if we'd have a merging of the output root file *per run* ✗

# Pending points: misc



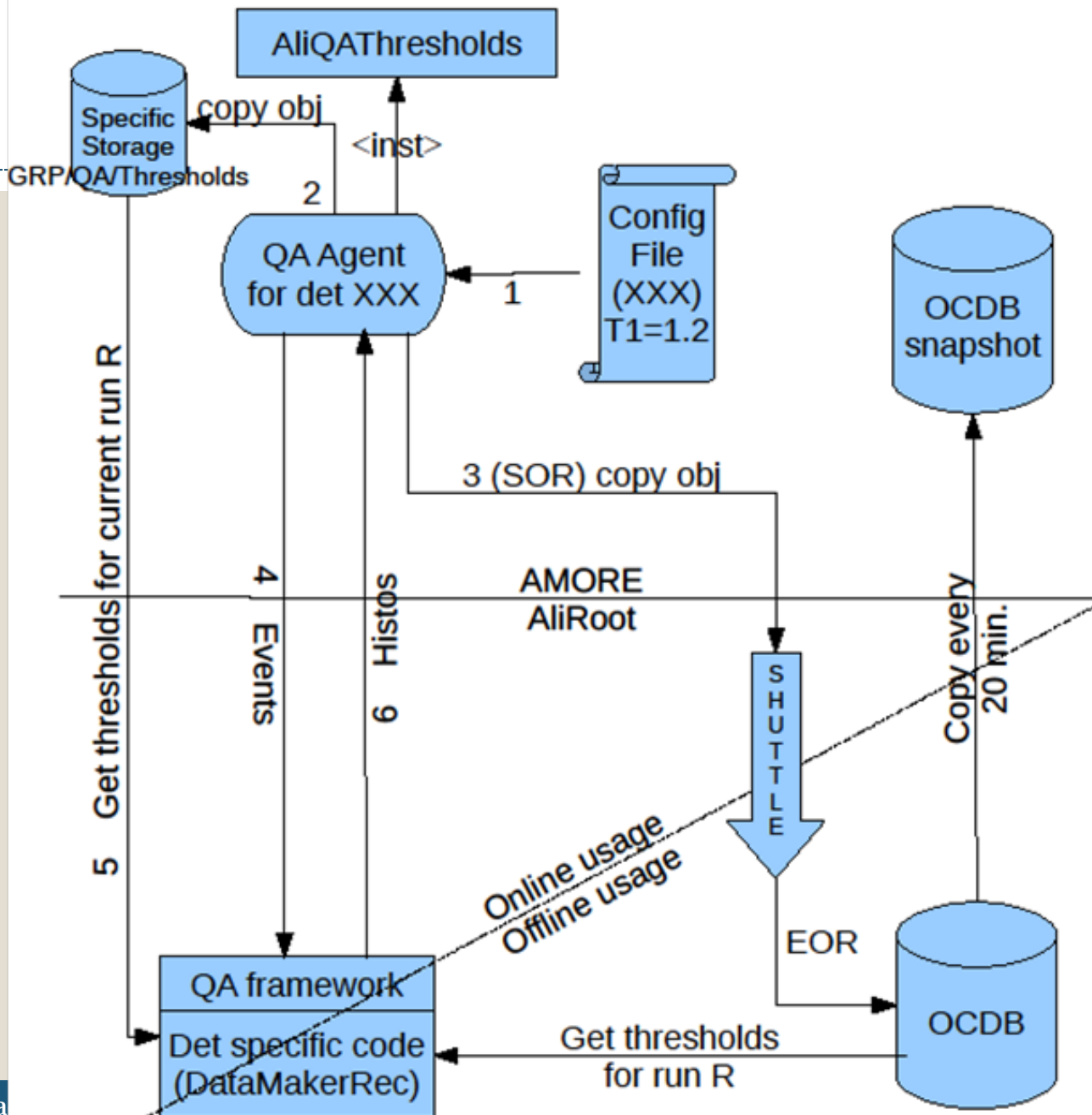
- Add some general reconstruction QA for the DQM shifter (e.g. reconstruction) ✗
- TRD request: keep long-term metrics in a database (within amore) 
  - A solution is being tried by Sylwester Radomski. See Sylwester's followup next
- Request to access DCS data from AMORE and the other way around (TPC, SPD, DCS) 

# Event Species



- Proper event species identification at P2
  - → each histo is published 4 times
  - → summary image contains 4 times the histos
- Logical as we can't know what histos will be filled before run
- But identification issue in histograms. Proposals?
- DQM shifter currently look at LowMultiplicity
  - → switch the default layouts when HI runs





# QA & DQM : thresholds status



- Make sure that the class AliQAThresholds committed in AliRoot (STEER) and ported to the release
- In coordination with the offline activate and test the thresholds feature at P2
- Proceed to the online activation and tests

# Questions



- **Announcements**
- **Time for questions and remarks**

# Backup

