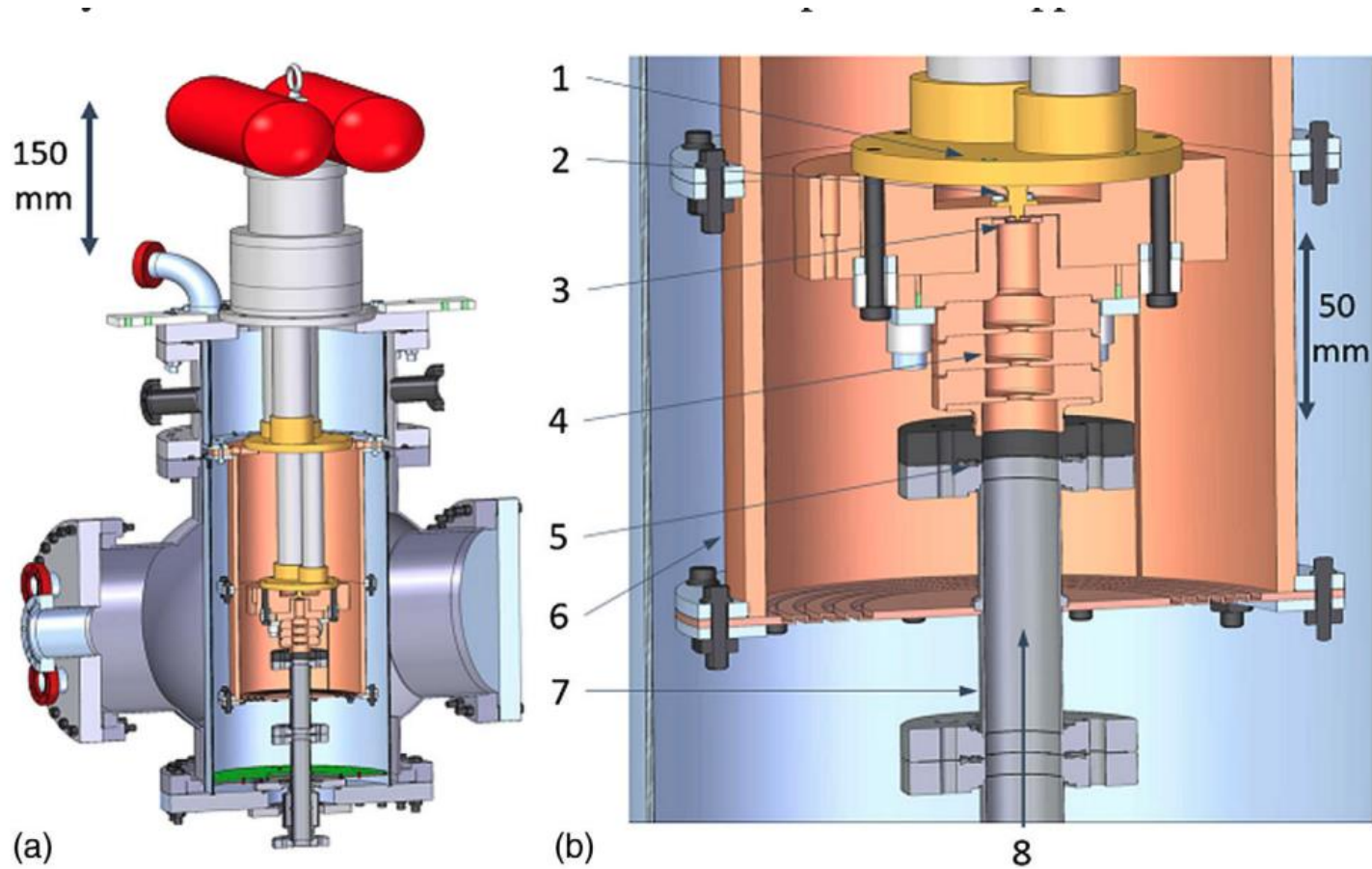


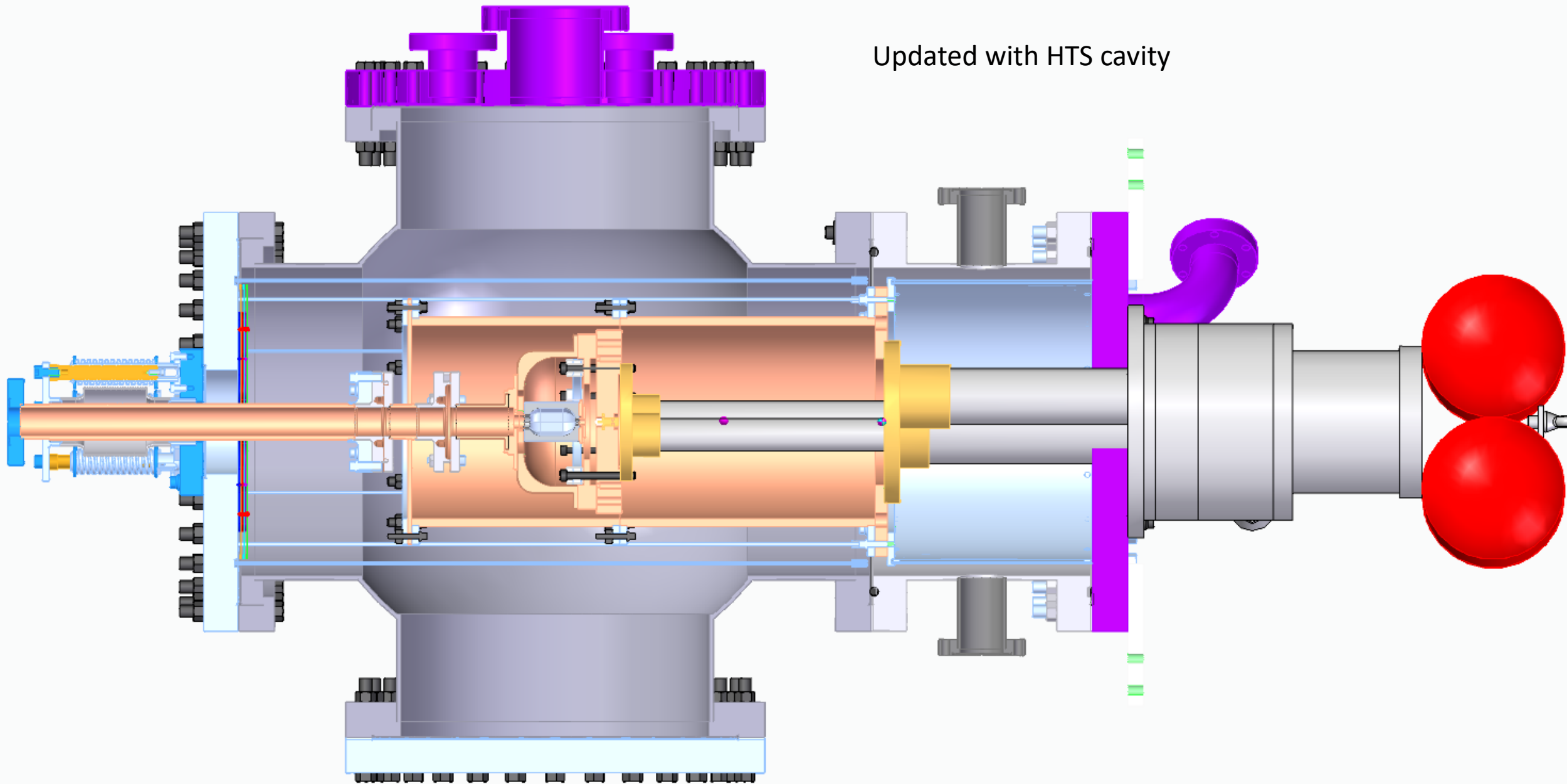
Cavity Mounting Update

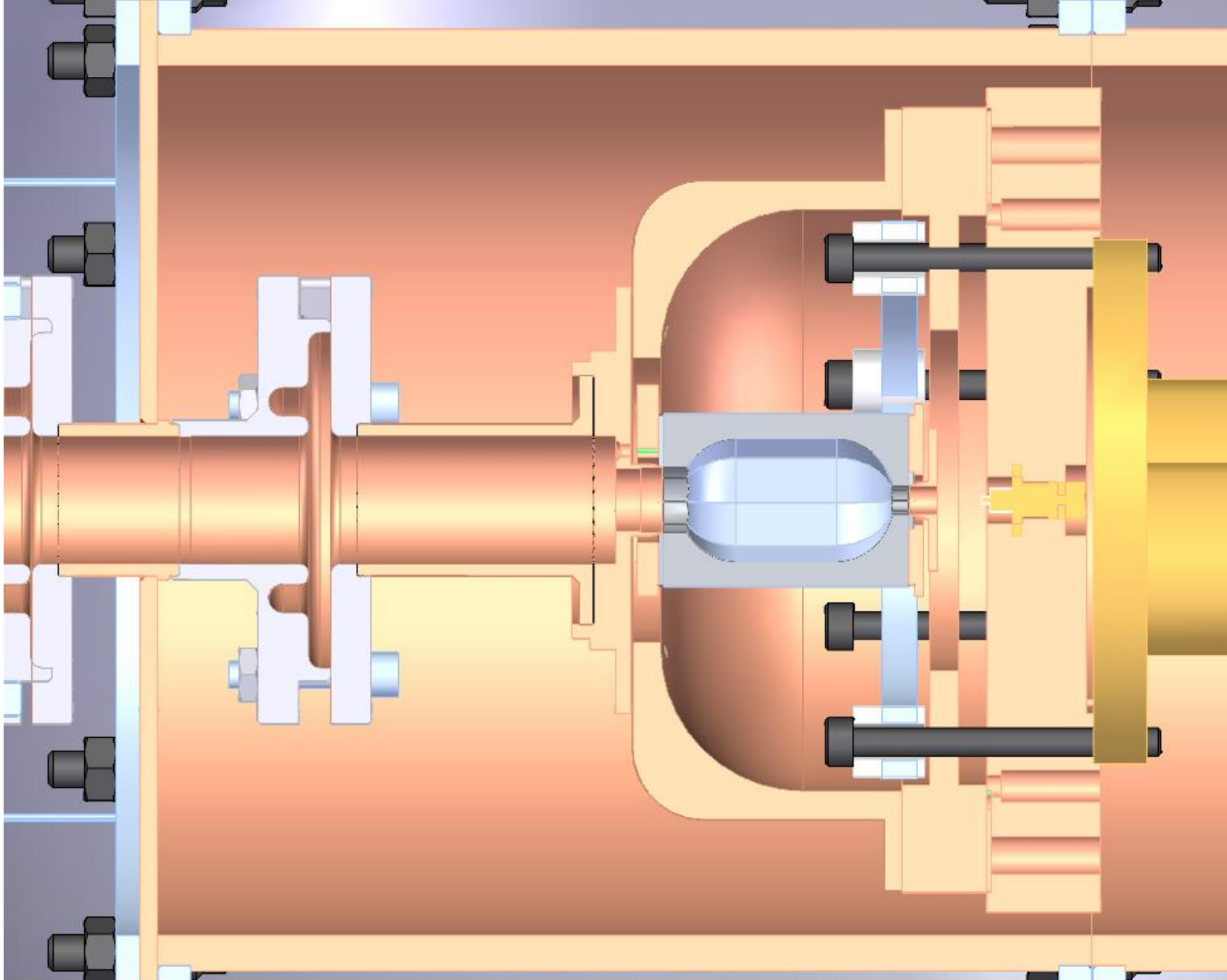
6/12/21

TM01 Mode Setup



Updated with HTS cavity





Creates a Hole feature.

