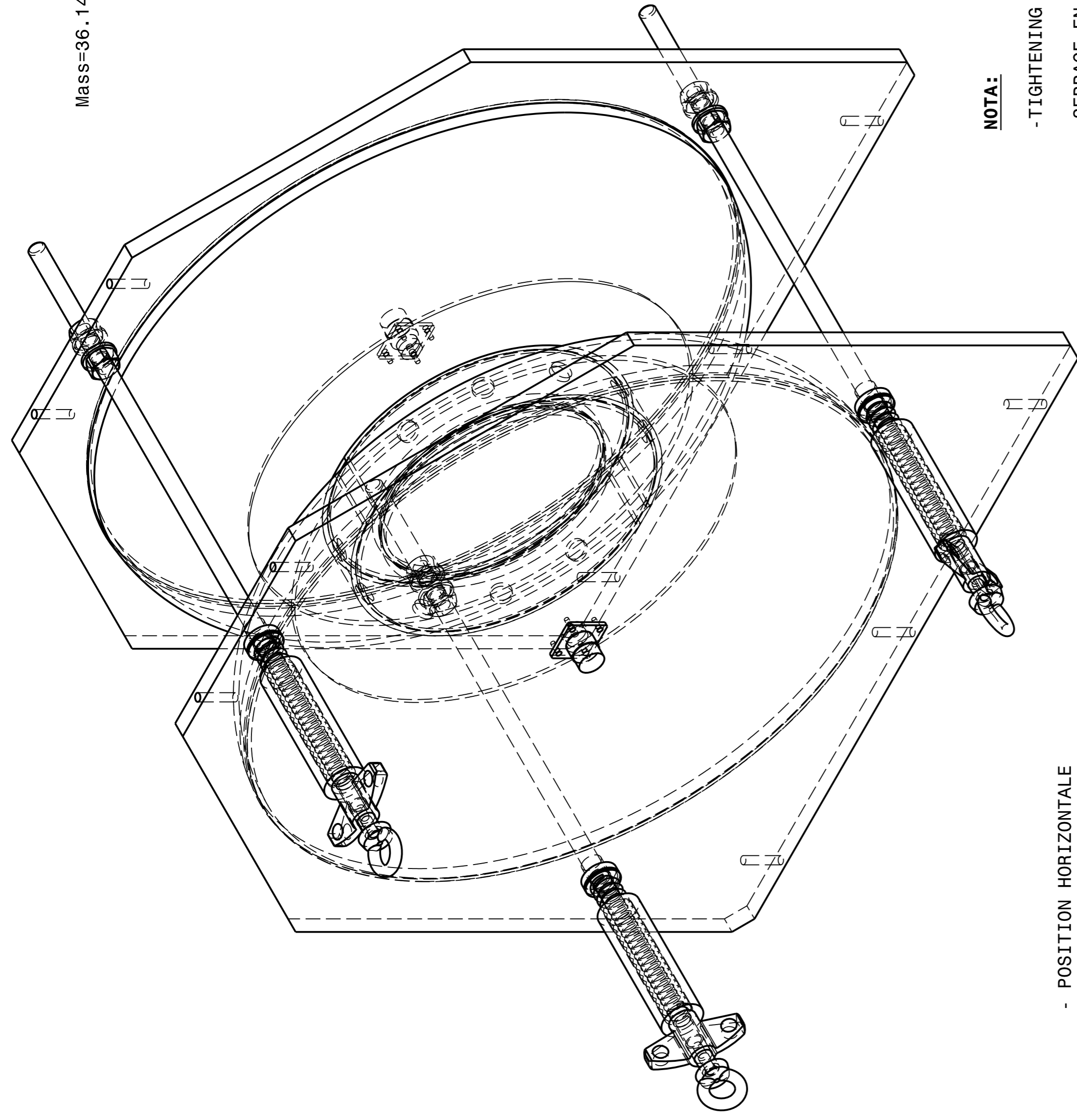


Mass=36.145kg



- POSITION HORIZONTALE  
- HORIZONTAL POSITION

**NOTA:**

-TIGHTENING IN VERTICAL POSITION

-SERRAGE EN POSITION VERTICALE

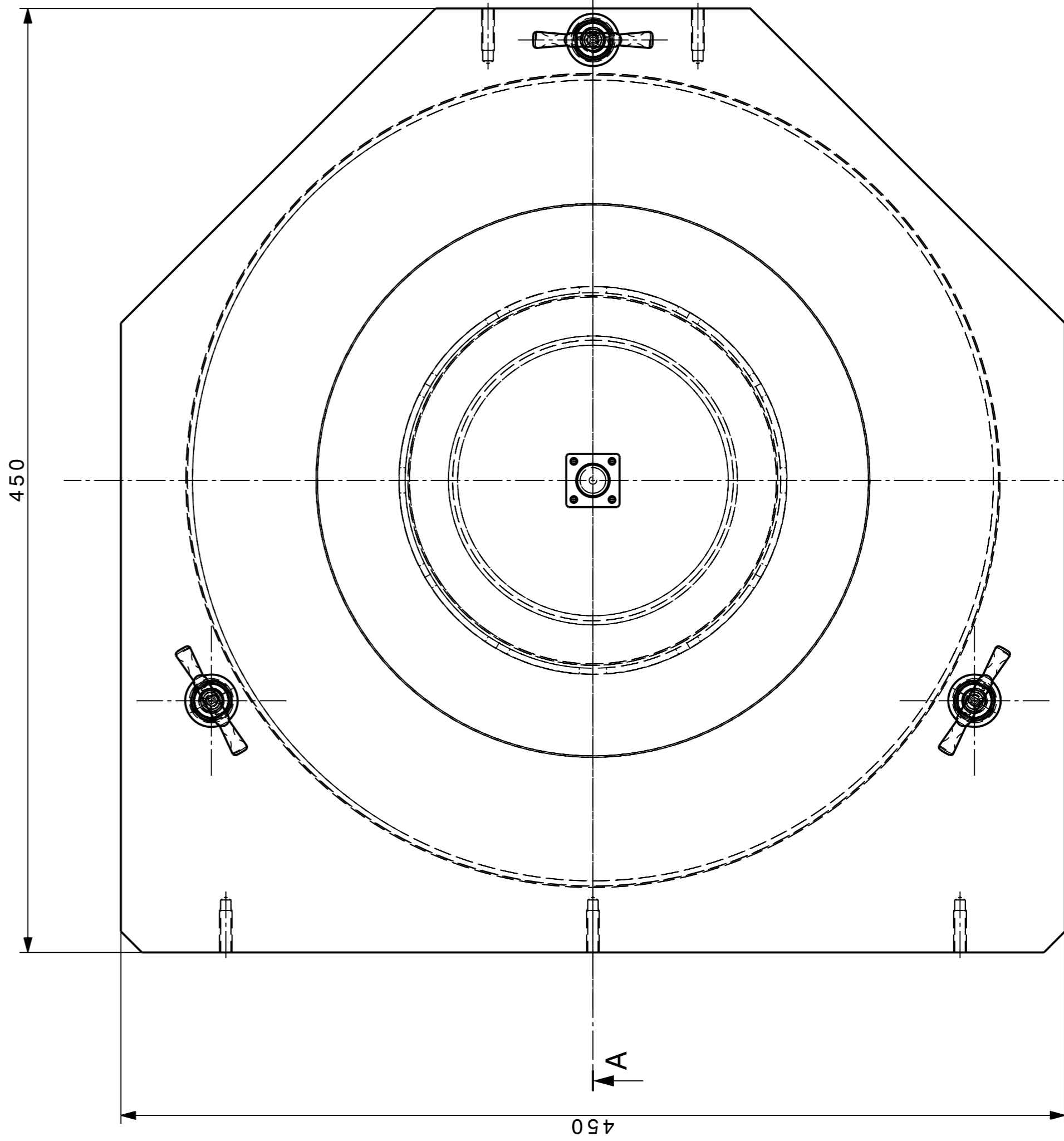
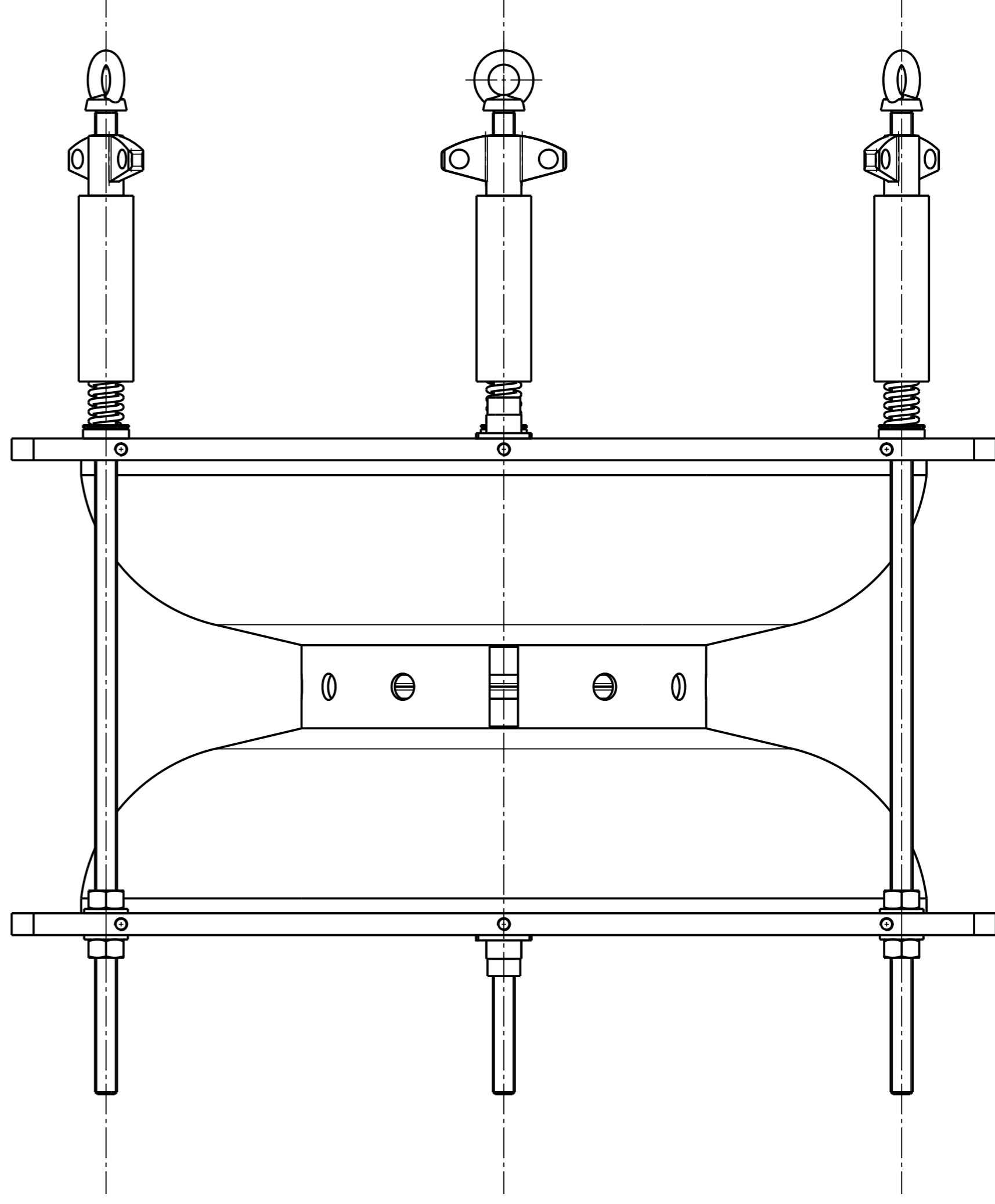
-Steepness of spring 6.6 N / mm.  
Force by spring 13.2 dan.

3 Springs 39.6 dan

-Raideur Ressort 6.6 N/mm.

Effort par ressort 13.2 dan.

3 Ressorts 39.6 dan



3	SCREW M6	Steel	BOSSARD : BN 257 M6
3	ANNEAU DE LEVAGE M6	ST0335161	
3	SPRING	VANEL : C.160.250.1000.I	
3	RESSORT	ST0335087	09.46.11 840.3
3	FEMALE CHASSIS SOCKET SOLDERING	St. Steel 304L	
3	FEUILLE CHASSIS FEMELLE A SOUDER	(1.4306)	ST0334929
3	GAUGE	Aluminium	SPLACST_0083
3	CALIBRE		ST0334894
3	THREAD M10 X LG 450	St. Steel 304L	SPLACST_0084
3	TIGE FILETEE M10 X LG 450	(1.4306)	ST0334889
3	NUT	St. Steel 304L	EMILE MAURIN : 16-225-57-10
3	ECROU PAPILLON	(1.4306)	ST0334886
3	WASHER	St. Steel 304L	NORELEM : 07420-0210
3	RONDELLE	(1.4306)	ST0334880
3	WASHER	St. Steel 304L	NORELEM : 07420-0110
3	RONDELLE	(1.4306)	ST0334879
1	PLAQUE-02	Cu OFE	SPLACST_0082
1	PLAQUE-01	Cu OFE	SPLACST_0081
1	PLAQUE-01	Cu OFE	SPLACST_0081
1	BOGIE	Cu OFE	ST0334838
1	DIABOLO	ST0334813	
6	NORMAL PL WASHER 10X20	Stainless Steel A4	ISO 7089_10X20-A4
6	RONDELLE PLATE NORMALE 10X20	Acier Inox A4	47.78.15 010.4
6	HEX NUT STYLE1 GRADE A M10	Stainless Steel A4	ISO 4032_M10-A4
6	ECROU H STYLE1 GRADE A M10	Acier Inox A4	
QUA	DESCRIPTION	POS	MAT.
ENS/ASS	Superconducting Cavities, Tooling	S	ENS/S ASS

SCALE	CONTROLLED	APPROVED	RELEASED
1:2			
DRAWN F. PILLON 2011-03-03			
BOGGIE RF CHECK			
MESURE RF DIABOLO			
NON VALABLE POUR EXECUTION			
NOT VALID FOR EXECUTION			
REPLACES			SIZE TND
CAD Document Number - ST0334850_02			1
SPLACST_0080			1

1 2 3 4 5 6 7 8 9 10 11 12 13 14 15 16