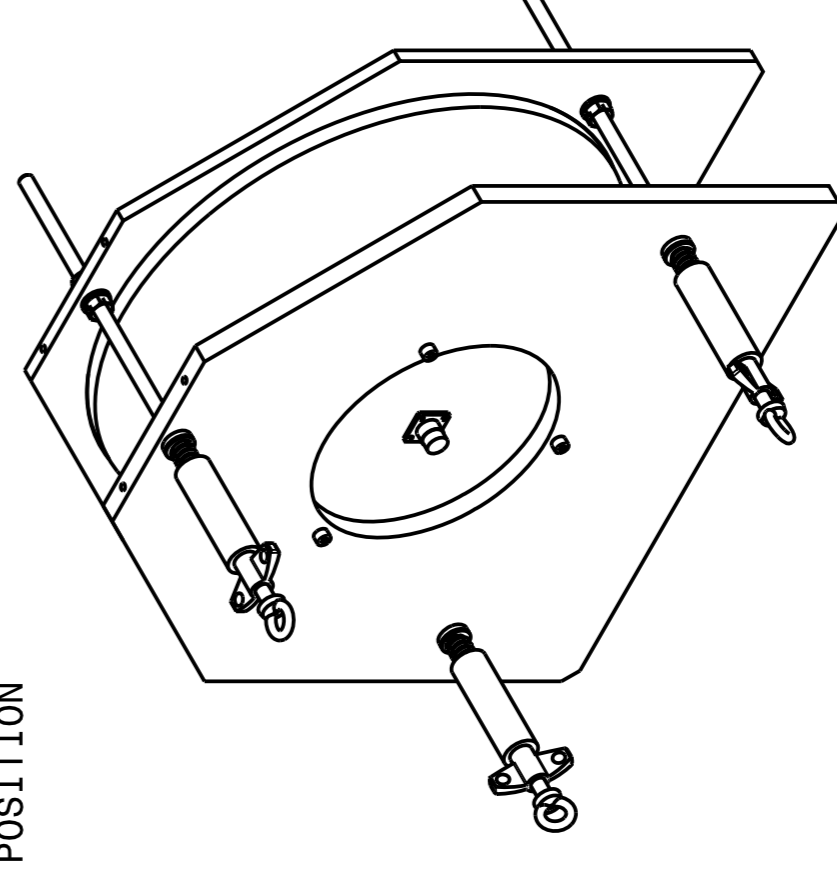


NOTA:

- TIGHTENING IN VERTICAL POSITION
- SERRAGE EN POSITION VERTICALE
- Steepness of spring 6.6 N / mm.
Force by spring 13.2 daN.
3 Springs 39.6 daN
- Raideur Ressort 6.6 N/mm.
Effort par ressort 13.2 daN.
3 Ressorts 39.6 daN

- POSITION HORIZONTALE
- HORIZONTAL POSITION



Mass=27.995kg

1	PLATE-04	Alu EN AW-6062 (T6)	SPLACST_0092
	PLAQUE-04	ST0335446	
1	FIXTURE CELLULE Ø140	Cu OFE	SPLACST_0090
	POSSAGE CELLULE Ø140	C10100 (H02)	ST0335367
3	SCREW M6	Steel	BOSSARD : BN 257 M6
	ANNEAU DE LEVAGE M6	ST0335161	
3	SPRING	VANEL : C.160.250.1000.I	
	RESSORT	ST0335087	
3	FEMALE CHASSIS SOCKET SOLDERING	St. Steel 304L	
	FEWLE CHASSIS FEMELLE À SOUDER	(1.4306)	ST0334929
3	GAUGE	Aluminium	SPLACST_0083
	CALIBRE	ST0334894	
3	NUT	St. Steel 304L	EMILE MAURIN : 16-225-57-10
	ECROU PAPILLON	(1.4306)	ST0334886
3	WASHER	St. Steel 304L	NORELEM : 07420-0210
	RONDELLE	(1.4306)	ST0334880
3	WASHER	St. Steel 304L	NORELEM : 07420-0110
	RONDELLE	(1.4306)	ST0334879
1	PLATE-01	Cu OFE	SPLACST_0081
	PLAQUE-01	C10100 (H02)	ST0334838
1	HALF CELL DIAM 140	Cu OFE	SPLACSHC0020
	DEMI CELLULE DIAM 140	C10100 (H02)	ST0290213
6	NORMAL PL WASHER 10X20	Stainless Steel A4	ISO 7089_10x20-A4
	RONDELLE PLATE NORMALE 10X20	Acier: Inox A4	
3	HEX SKT HD CAP SCREW M6X25	St. Steel A4	ISO 4762 M6X25-A4
	VIS CHC M6X25		2601.7
3	THREAD M10XLG400	St. Steel 304L	SPLACST_0083
	TIGE FILETEE M10XLG400	(1.4306)	ST0335454
6	HEX NUT STYLE1 GRADE A M10	Stainless Steel A4	ISO 4032_M10-A4
	ECROU H STYLE1 GRADE A M10	Acier: Inox A4	
QUA	DESCRIPTION	POS	MAT.
ENS/ASS			OBSERVATIONS
		S-ENS/S-ASS	REF.CERN

Supercavitating Cavities; Tooling

SCALE: F. PILLON 2011-03-07

CONTROLLED: []
RELEASED: []
APPROVED: []

HALF CELL RF CHECK Ø140

1:2

CAD Document Number: ST0335436_02

REPLACES

MEASURE RF DEMI CELLULE Ø140

NON VALABLE POUR EXECUTION

NOT VALID FOR EXECUTION

SPLACST_0089

SIZE: 1